

JOINT PUBLIC NOTICE

**CHARLESTON DISTRICT, CORPS OF ENGINEERS
69A Hagood Avenue
Charleston, South Carolina 29403-5107**

**And the
S.C. DEPARTMENT OF HEALTH AND ENVIRONMENTAL CONTROL
OFFICE OF OCEAN AND COASTAL RESOURCE MANAGEMENT
1362 McMillan Avenue, Suite 400
Charleston, South Carolina 29405**

REGULATORY DIVISION

Refer to: P/N #2015-00148-2IY

10 February 2015

Pursuant to Section 10 of the Rivers and Harbors Act of 1899 (33 U.S.C. 403), Section 401 of the Clean Water Act (33 U.S.C. 1341), and the South Carolina Coastal Zone Management Act (48-39-10 et seq.), an application has been submitted to the Department of the Army and the South Carolina Department of Health and Environmental Control by

**KIAWAH RESORT ASSOCIATES, L. P.
ONE KIAWAH ISLAND PARKWAY
KIAWAH ISLAND, SOUTH CAROLINA 29455**

for a permit to construct a private shared dock on

PENNY'S CREEK

at 370/372 Helena Court in the Town of Kiawah Island, Charleston County, South Carolina (Latitude 32.621743 North, Longitude -80.001367 West)

In order to give all interested parties an opportunity to express their views

NOTICE

is hereby given that written statements regarding the proposed work will be received by the Corps until

15 Days from the Date of this Notice,

and **SCDHEC** will receive written statements regarding the proposed work until

30 Days from the Date of this Notice

from those interested in the activity and whose interests may be affected by the proposed work.

The proposed work consists of constructing a 4' x 79' walkway leading to a 10' x 10' pierhead. Two 3' x 20' aluminum gangways attached to the pierhead will lead to two 10' x 20' floating docks. The purpose of the proposed project is to provide a private shared dock with access to the Penny's Creek and mooring of boats for residents of the Ocean Park neighborhood on Kiawah Island.

REGULATORY DIVISION

Refer to: P/N #2015-00148-21Y

10 February 2015

NOTE: Plans depicting the work described in this notice are available and will be provided, upon receipt of a written request, to anyone that is interested in obtaining a copy of the plans for the specific project. The request must identify the project of interest by public notice number and a self-addressed stamped envelope must also be provided for mailing the drawings to you. Your request for drawings should be addressed to the

**U.S. Army Corps of Engineers
ATTN: REGULATORY DIVISION
69A Hagood Avenue
Charleston, South Carolina 29403-5107**

The District Engineer has concluded that the discharges associated with this project, both direct and indirect, should be reviewed by the South Carolina Department of Health and Environmental Control in accordance with provisions of Section 401 of the Clean Water Act. As such, this notice constitutes a request, on behalf of the applicant, for certification that this project will comply with applicable effluent limitations and water quality standards (Section 401 of the Clean Water Act). The District Engineer will not process this application to a conclusion until such certification is received. The applicant is hereby advised that supplemental information may be required by the State to facilitate the review. Persons wishing to comment or object to Water Quality Certification must submit all comments in writing to the S.C. Department of Health and Environmental Control at the above address within thirty (30) days of the date of this notice.

This notice initiates the Essential Fish Habitat (EFH) consultation requirements of the Magnuson-Stevens Fishery Conservation and Management Act. Implementation of the proposed project would impact 0.011 acres of estuarine substrates utilized by various life stages of species comprising the red drum, shrimp, and snapper-grouper management complexes. Our initial determination is that the proposed action would not have a substantial individual or cumulative adverse impact on EFH or fisheries managed by the South Atlantic Fishery Management Council and the National Marine Fisheries Service (NMFS). Our final determination relative to project impacts and the need for mitigation measures is subject to review by and coordination with the NMFS.

The District Engineer has consulted the most recently available information and has determined that the project will have no effect on any Federally endangered, threatened, or proposed species and will not result in the destruction or adverse modification of designated or proposed critical habitat. This public notice serves as a request to the U.S. Fish and Wildlife Service and the National Marine Fisheries Service for any additional information they may have on whether any listed or proposed endangered or threatened species or designated or proposed critical habitat may be present in the area which would be affected by the activity, pursuant to Section 7(c) of the Endangered Species Act of 1973 (as amended).

Pursuant to Section 106 of the National Historic Preservation Act (NHPA), this public notice also constitutes a request to Indian Tribes to notify the District Engineer of any historic properties of religious and cultural significance to them that may be affected by the proposed undertaking.

REGULATORY DIVISION

Refer to: P/N #2014-00148-2IY

10 February 2015

In accordance with the NHPA, the District Engineer has also consulted the latest published version of the National Register of Historic Places for the presence or absence of registered properties, or properties listed as being eligible for inclusion therein, and this worksite is not included as a registered property or property listed as being eligible for inclusion in the Register. To insure that other cultural resources that the District Engineer is not aware of are not overlooked, this public notice also serves as a request to the State Historic Preservation Office to provide any information it may have with regard to historic and cultural resources.

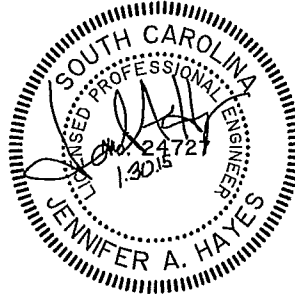
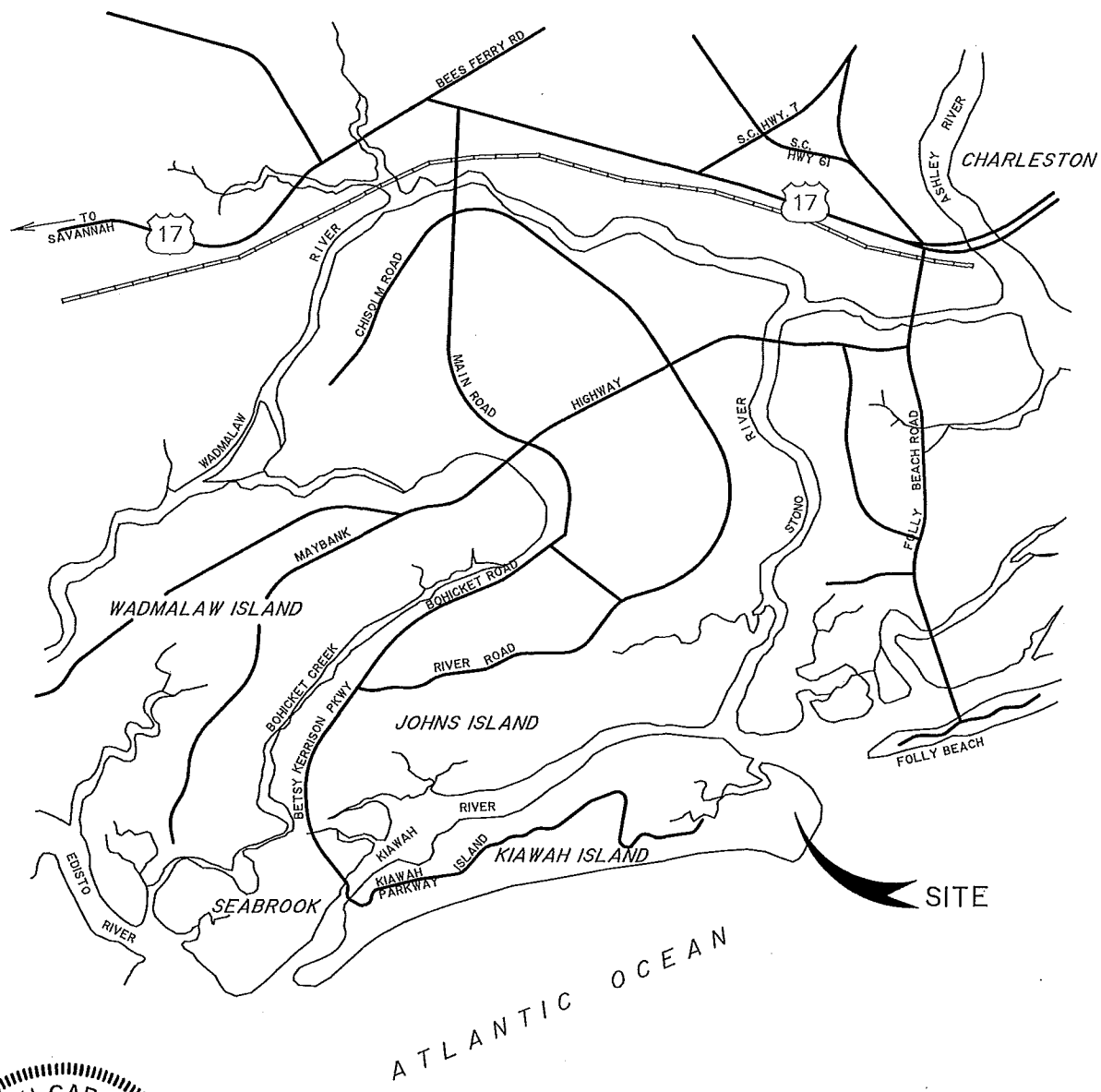
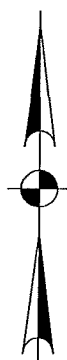
Any person may request, in writing, within the comment period specified in this notice, that a public hearing be held to consider this application. Requests for a public hearing shall state, with particularity, the reasons for holding a public hearing.

The decision whether to issue a permit will be based on an evaluation of the probable impact including cumulative impacts of the activity on the public interest. That decision will reflect the national concern for both protection and utilization of important resources. The benefit which reasonably may be expected to accrue from the project must be balanced against its reasonably foreseeable detriments. All factors which may be relevant to the project will be considered including the cumulative effects thereof; among those are conservation, economics, aesthetics, general environmental concerns, wetlands, historic properties, fish and wildlife values, flood hazards, flood plain values, land use, navigation, shoreline erosion and accretion, recreation, water supply and conservation, water quality, energy needs, safety, food and fiber production and, in general, the needs and welfare of the people. A permit will be granted unless the District Engineer determines that it would be contrary to the public interest. In cases of conflicting property rights, the Corps of Engineers cannot undertake to adjudicate rival claims.

The Corps of Engineers is soliciting comments from the public; Federal, state, and local agencies and officials; Indian Tribes; and other interested parties in order to consider and evaluate the impacts of this activity. Any comments received will be considered by the Corps of Engineers to determine whether to issue, modify, condition or deny a permit for this project. To make this decision, comments are used to assess impacts on endangered species, historic properties, water quality, general environmental effects, and the other public interest factors listed above. Comments are used in the preparation of an Environmental Assessment and/or an Environmental Impact Statement pursuant to the National Environmental Policy Act. Comments are also used to determine the need for a public hearing and to determine the overall public interest of the activity.

If there are any questions concerning this public notice, please contact David Chamberlain at 843-329-8044 or toll free at 1-866-329-8187.

Z:\25124\25124.0000\Engineering\Drawings\Permit Dwg\Deck Lot 370-372\25124.0000p01 - Vicinity.dwg - Jan 26, 2015 - 5:04:24 PM



SAC 2015-00148-2EY

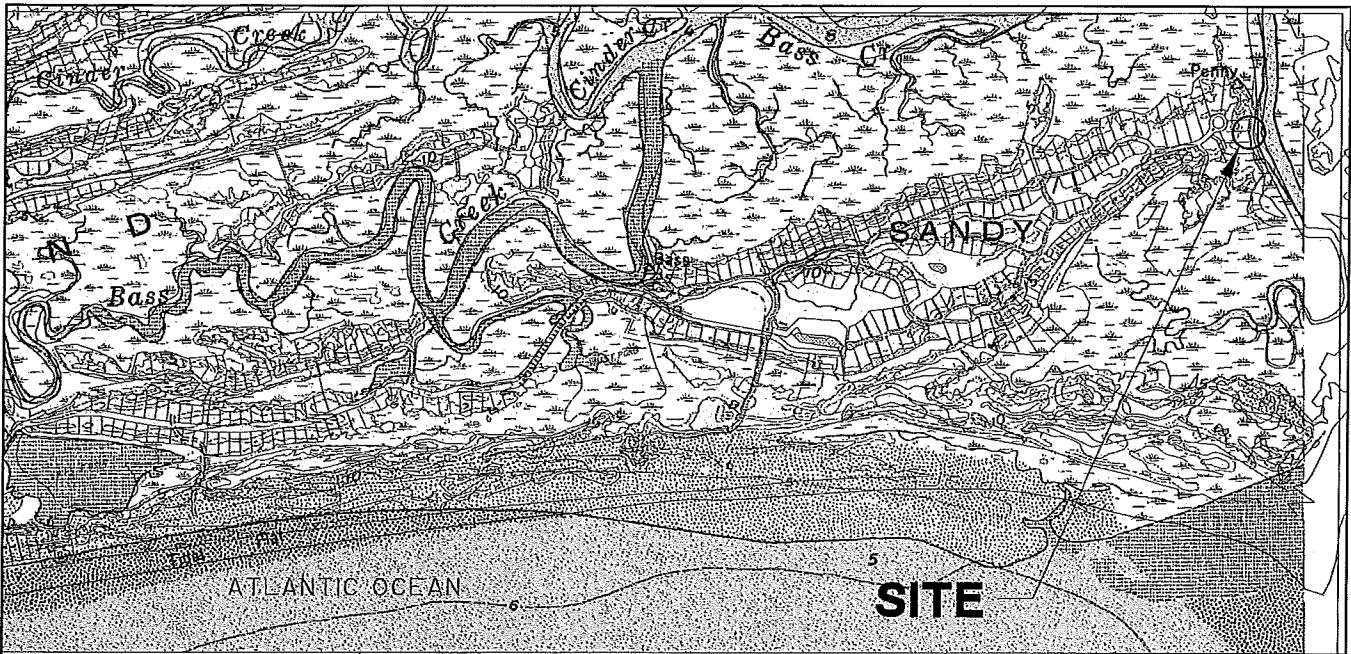
TRACKING NUMBER:		DATUM: NGVD29	
REVISION HISTORY			
REV. NO.	REVISION	BY	DATE

VICINITY MAP

PROPOSED ACTIVITY:
OCEAN PARK PH 8 LOTS 370/372 SHARED DOCK
 JOB NUMBER: J - 25124.0000
 APPLICANT:
KIAWAH RESORT ASSOCIATES, L.P.
 LOCATION: CHARLESTON COUNTY, S.C. SHEET: 1 OF 7
 DATE: JANUARY 30, 2015 SCALE: NOT TO SCALE

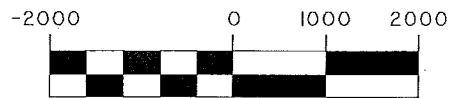
THOMAS & HUTTON
 Engineering | Surveying | Planning | GIS | Consulting
 682 Johnnie Dodds Blvd. • Suite 100
 PO Box 1522
 Mt. Pleasant, SC 29465-1522 • 843.849.0200
 www.thomasandhutton.com
 Savannah, GA | Brunswick, GA | Myrtle Beach, SC | Wilmington, NC

Z:\25124\25124.0000\Engineering\Drawings\Permit Dwg\Dock Lot 370-372\25124.0000p02 - Dudd.dwg - Jan 27, 2015 - 9:56:22 AM



DIRECTIONS TO SITE:

From US17 S turn left onto Main Rd./Bohicket Rd/State Rd S-10-20. Continue to the end and at the traffic circle turn left onto Kiawah Island Pkwy. You must go through two security gates. After second gate, turn right onto Governors Dr. At Flyaway Dr. continue straight and road turns into Ocean Course Dr. Stay on Ocean Course Dr. for approx 2 miles at which point Ocean Course Dr. turns 90 degrees to the right (south). Do not follow Ocean Course Dr. at the turn. Instead, continue straight ahead on High Dunes Ln. until paved road ends. There is a dirt road that runs along north side of the island that may be used to travel east of this point. Alternately, rest of the distance to the site, approx 3/4 mile, can be covered on foot.



1 INCH = 2000 FT



SAC 2015-00148-2 IY

TRACKING NUMBER:			
REVISION HISTORY			
REV. NO.	REVISION	BY	DATE

LOCATION MAP

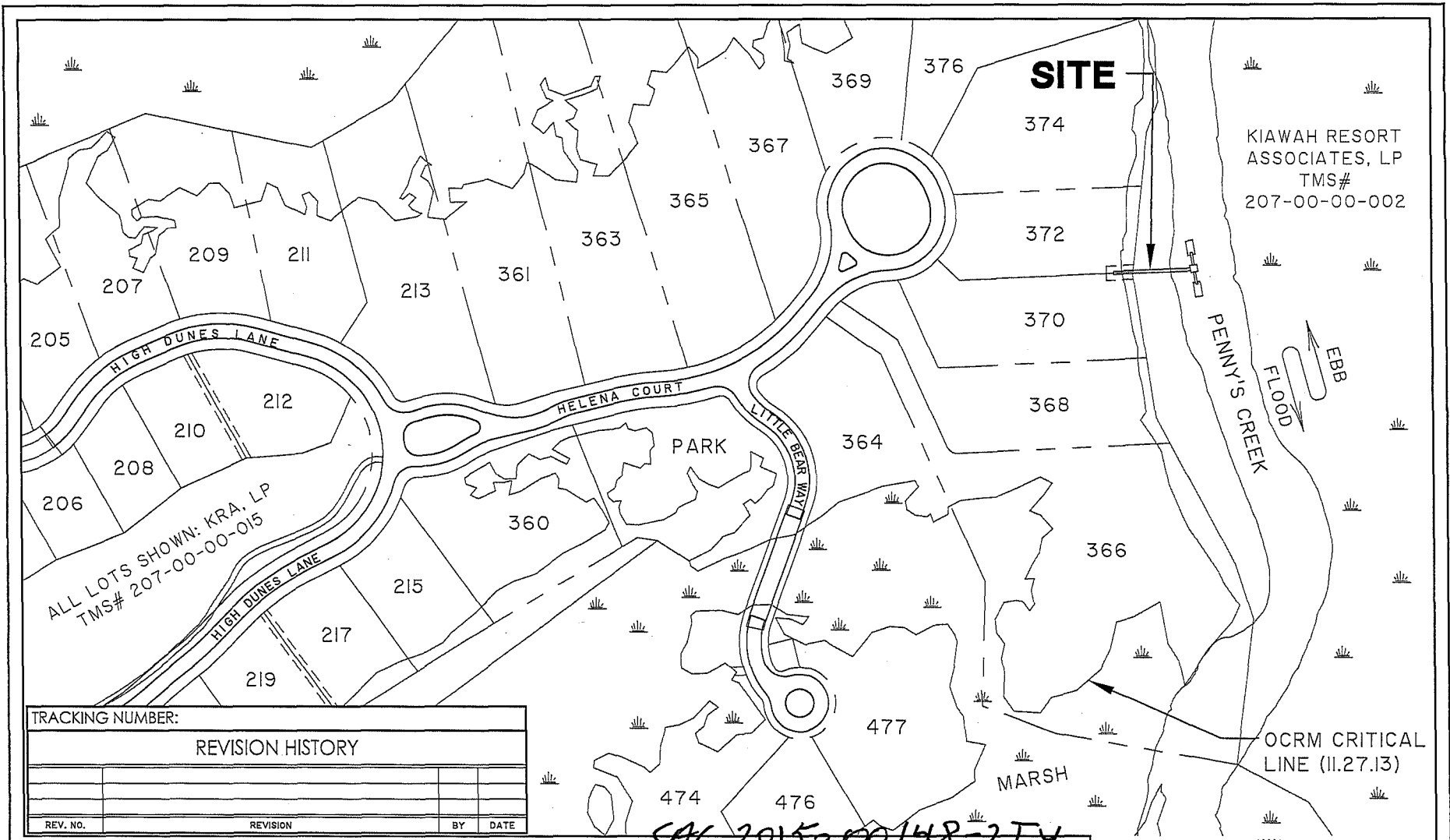
LAT: 32.621743° LON: -80.001367° SOURCE: KIAWAH ISLAND QUAD
 OCEAN PARK PH 8 LOTS 370/372 SHARED DOCK
 JOB NUMBER: J- 25124.0000
 APPLICANT:
KIAWAH RESORT ASSOCIATES, L.P.
 LOCATION: CHARLESTON COUNTY, S.C. SHEET: 2 OF 7
 DATE: JANUARY 30, 2015 SCALE: 1" = 2000'

THOMAS & HUTTON
 Engineering | Surveying | Planning | GIS | Consulting

682 Johnnie Dodds Blvd. • Suite 100
 PO Box 1522
 Mt. Pleasant, SC 29465-1522 • 843.849.0200

www.thomasandhutton.com

Savannah, GA | Brunswick, GA | Myrtle Beach, SC | Wilmington, NC



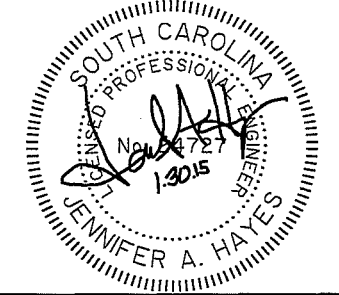
TRACKING NUMBER:

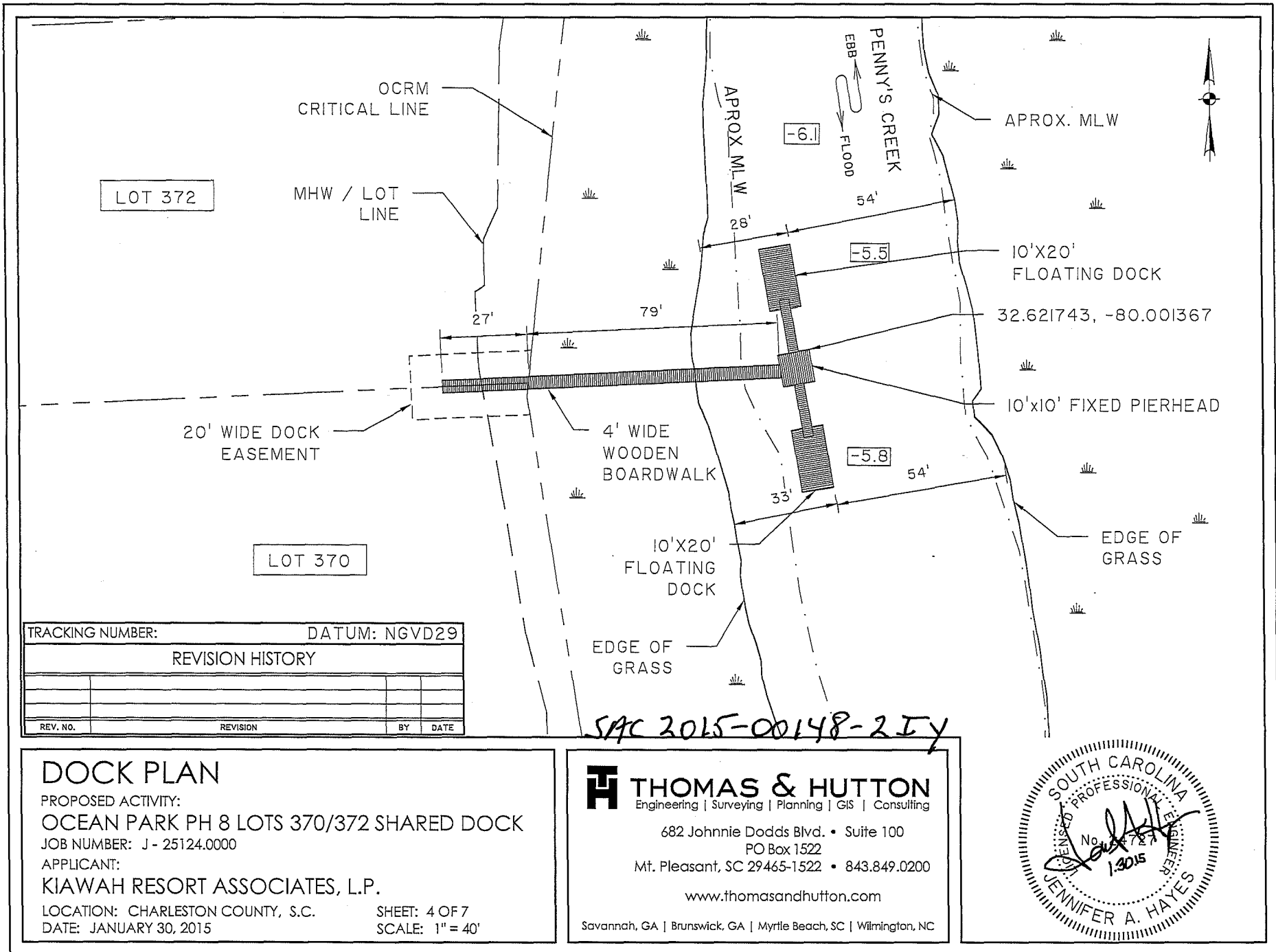
REVISION HISTORY			
REV. NO.	REVISION	BY	DATE

SAC 2015-00148-214

SITE MAP - PHASE 8
 PROPOSED ACTIVITY:
OCEAN PARK PH 8 LOTS 370/372 SHARED DOCK
 JOB NUMBER: J - 25124.0000
 APPLICANT:
KIAWAH RESORT ASSOCIATES, L.P.
 LOCATION: CHARLESTON COUNTY, S.C. SHEET: 3 OF 7
 DATE: JANUARY 30, 2015 SCALE: 1" = 200.0001'

THOMAS & HUTTON
 Engineering | Surveying | Planning | GIS | Consulting
 682 Johnnie Dodds Blvd. • Suite 100
 PO Box 1522
 Mt. Pleasant, SC 29465-1522 • 843.849.0200
 www.thomasandhutton.com
 Savannah, GA | Brunswick, GA | Myrtle Beach, SC | Wilmington, NC





TRACKING NUMBER: _____ DATUM: NGVD29

REVISION HISTORY			
REV. NO.	REVISION	BY	DATE

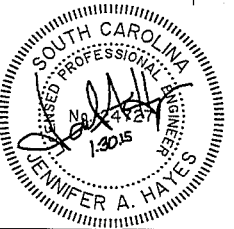
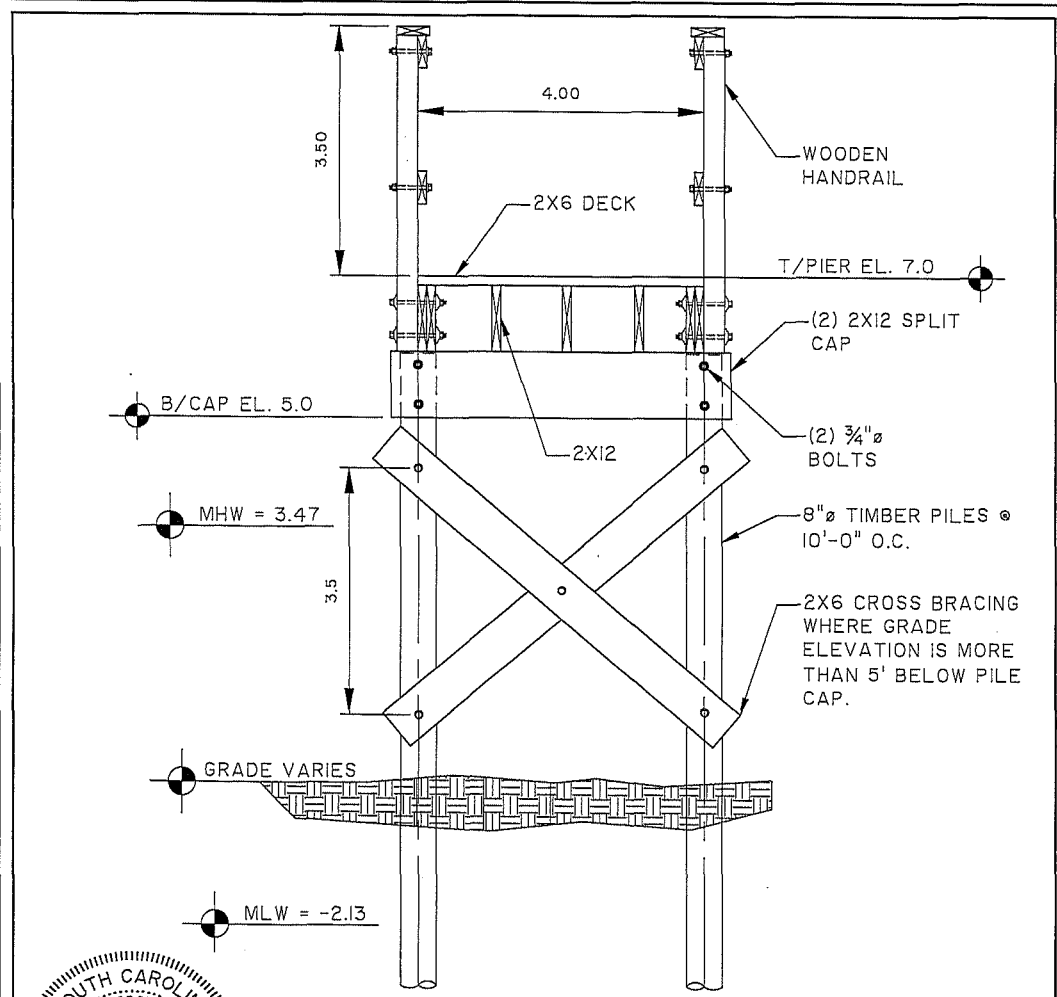
SAC 2015-00148-21y

DOCK PLAN
 PROPOSED ACTIVITY:
OCEAN PARK PH 8 LOTS 370/372 SHARED DOCK
 JOB NUMBER: J - 25124.0000
 APPLICANT:
KIAWAH RESORT ASSOCIATES, L.P.
 LOCATION: CHARLESTON COUNTY, S.C. SHEET: 4 OF 7
 DATE: JANUARY 30, 2015 SCALE: 1" = 40'

THOMAS & HUTTON
 Engineering | Surveying | Planning | GIS | Consulting
 682 Johnnie Dodds Blvd. • Suite 100
 PO Box 1522
 Mt. Pleasant, SC 29465-1522 • 843.849.0200
 www.thomasandhutton.com
 Savannah, GA | Brunswick, GA | Myrtle Beach, SC | Wilmington, NC



Z:\282824\282824_0000\Engineering\Drawings\Permit Drawings\Deck Lot 370-372\282824_0000\04-7 - Deck Plan & Section\reserved.dwg - Jan 27, 2015 - 9:05:46 AM



SAC 2015-00148-2TY

TRACKING NUMBER: _____ DATUM: NGVD29

REVISION HISTORY			
REV. NO.	REVISION	BY	DATE

BOARDWALK SECTION

PROPOSED ACTIVITY:
OCEAN PARK PH 8 LOTS 370/372 SHARED DOCK

APPLICANT:
KIAWAH RESORT ASSOCIATES, L.P.

LOCATION: CHARLESTON COUNTY, S.C.
 DATE: JANUARY 30, 2015
 JOB NUMBER: J - 25124.0000

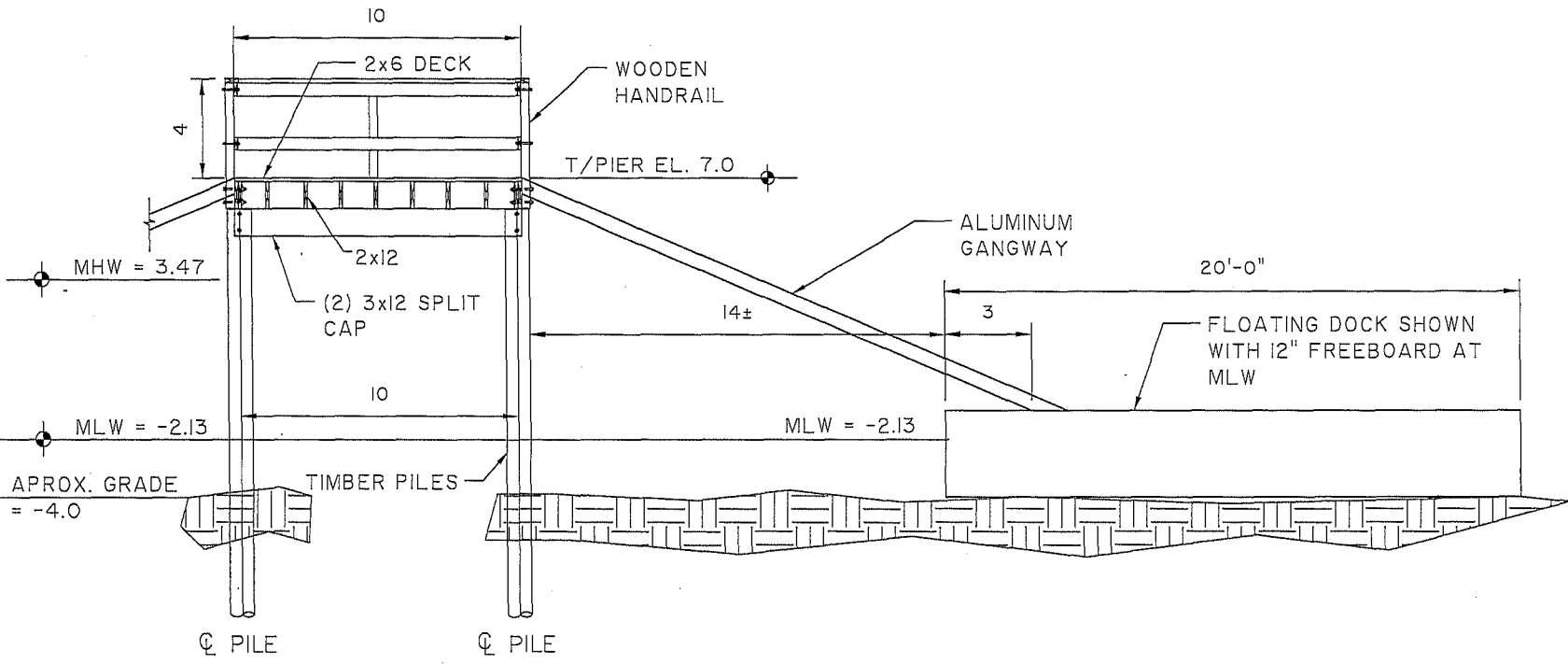
SHEET: 5 OF 7
 SCALE: 1" = 2'-0"

THOMAS & HUTTON
 Engineering | Surveying | Planning | GIS | Consulting

682 Johnnie Dodds Blvd. • Suite 100
 PO Box 1522
 Mt. Pleasant, SC 29465-1522 • 843.849.0200

www.thomasandhutton.com

Savannah, GA | Brunswick, GA | Myrtle Beach, SC | Wilmington, NC

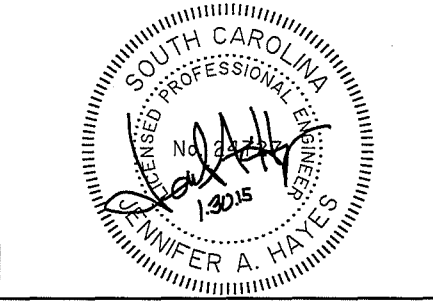


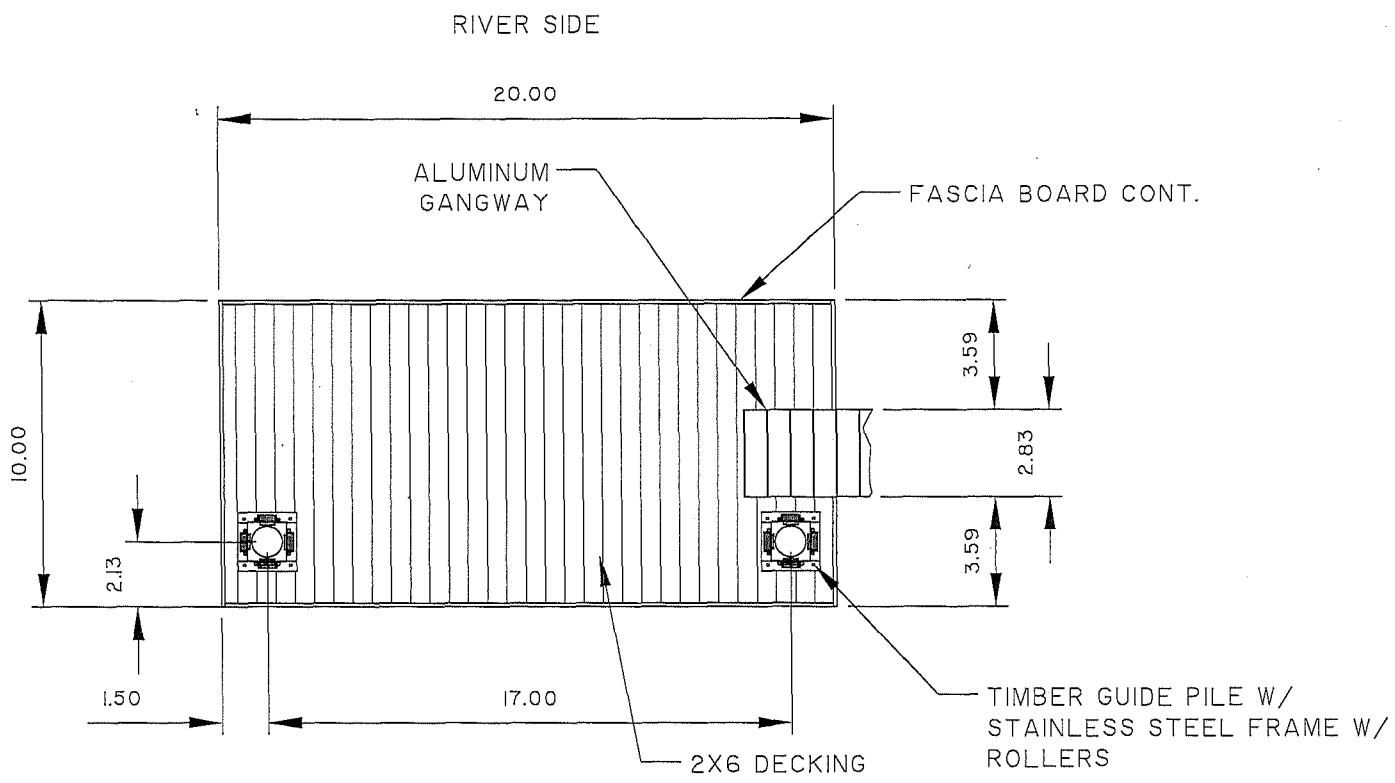
TRACKING NUMBER:		DATUM: NGVD29	
REVISION HISTORY			
REV. NO.	REVISION	BY	DATE

SAC 2015-00148-2 I Y

DOCK SECTION
 PROPOSED ACTIVITY:
 OCEAN PARK PH 8 LOTS 370/372 SHARED DOCK
 JOB NUMBER: J - 25124.0000
 APPLICANT:
 KIAWAH RESORT ASSOCIATES, L.P.
 LOCATION: CHARLESTON COUNTY, S.C. SHEET: 6 OF 7
 DATE: JANUARY 30, 2015 SCALE: 1" = 6'

THOMAS & HUTTON
 Engineering | Surveying | Planning | GIS | Consulting
 682 Johnnie Dodds Blvd. • Suite 100
 PO Box 1522
 Mt. Pleasant, SC 29465-1522 • 843.849.0200
 www.thomasandhutton.com
 Savannah, GA | Brunswick, GA | Myrtle Beach, SC | Wilmington, NC





TRACKING NUMBER:		DATUM: NGVD29	
REVISION HISTORY			
REV. NO.	REVISION	BY	DATE

MARSH SIDE

SAC 2015-00148-2IY

FLOATING DOCK
 PROPOSED ACTIVITY:
OCEAN PARK PH 8 LOTS 370/372 SHARED DOCK
 JOB NUMBER: J - 25124.0000
 APPLICANT:
KIAWAH RESORT ASSOCIATES, L.P.
 LOCATION: CHARLESTON COUNTY, S.C. SHEET: 7 OF 7
 DATE: JANUARY 30, 2015 SCALE: 1" = 6'

THOMAS & HUTTON
 Engineering | Surveying | Planning | GIS | Consulting
 682 Johnnie Dodds Blvd. • Suite 100
 PO Box 1522
 Mt. Pleasant, SC 29465-1522 • 843.849.0200
 www.thomasandhutton.com
 Savannah, GA | Brunswick, GA | Myrtle Beach, SC | Wilmington, NC

