

JOINT
PUBLIC NOTICE

CHARLESTON DISTRICT, CORPS OF ENGINEERS
69-A Hagood Avenue
Charleston, South Carolina 29403
and

THE S.C. DEPARTMENT OF HEALTH AND ENVIRONMENTAL CONTROL
Office of Ocean and Coastal Resource Management
1362 McMillan Avenue, Suite 400
Charleston, South Carolina 29405

REGULATORY DIVISION

Refer to: P/N SAC-2014-00416

15 JUNE 2016

Pursuant to Section 10 of the Rivers and Harbors Act of 1899 (33 U.S.C. 403), Sections 401 and 404 of the Clean Water Act (33 U.S.C. 1344), and the South Carolina Coastal Zone Management Act (48-39-10 et.seq.), an application has been submitted to the Department of the Army and the S.C. Department of Health and Environmental Control by

THE CITADEL
C/ O MR. JOHN SHAFFER
SHFR WATERFRONT SOLUTIONS
891 RUTLEDGE AVENUE
CHARLESTON, SOUTH CAROLINA 29403

for a permit to construct a boating facility, reconfigure and reconstruct the existing boat ramp, repair and replace the existing timber bulkhead and refurbish the existing riprap in waters of the

ASHLEY RIVER

at a location, the existing Citadel Boat Center, adjacent to Hammond Street on The Citadel campus, in the City of Charleston, Charleston County, South Carolina (Latitude: 32.7966 °N, Longitude: -79.9686 °W), CHARLESTON QUAD.

In order to give all interested parties an opportunity to express their views

NOTICE

is hereby given that written statements regarding the proposed work will be received by the **Corps** until

15 Days from the Date of this Notice,

and **SCDHEC** will receive written statements regarding the proposed work until

30 Days from the Date of this Notice

from those interested in the activity and whose interests may be affected by the proposed work.

The proposed work consists of construction of a boat facility/marina to include a boat ramp and reconstruction/repair of riprap and bulkheads for erosion control at the existing boat facility on

the Citadel campus. In detail the applicant proposes to make the following improvements to the facility:

- Refurbish 290 lf of existing riprap revetment
- Repair/replace 260 lf of existing timber bulkhead (the new bulkhead will be installed with 18" of the existing bulkhead)
- Remove the existing concrete boat ramp and construct a new 12' x 90' boat ramp at a different angle (the location where the ramp will cross the critical line will remain the same)
- Construct a 4' x 32' fixed dock and install a 3' x 40' gangway to access the boat ramp courtesy dock
- Construct a 10' x 50' fixed dock and install a 8' x 80' ADA-compliant gangway to access the main floating dock
- Install 10,492 sf of floating dock:
 - 16' x 174' main dock
 - 16' x 90' low-freeboard rowing dock for crew and other paddle sports
 - Two (2) 32' x 76' floating docks to stage/store sailing fleets
 - An 8' x 63' floating dock with a 4' x 25' finger
 - An 8' x 100' floating courtesy dock to facilitate launching and retrieval of vessels at the boat ramp
 - Anchored with vertical piles
 - Four (4) 4-pile, 7,000 lb capacity boat lifts

The applicant intends to perform the work in several phases, as budget allows and needs dictate. Due to the nature of the proposed work and the minimal impact (0.1 acre) the applicant has not proposed to mitigate for impacts to wetlands and/or waters of the United States. The purpose of the proposed work is to make improvements to the existing Boat Center at the Citadel to accommodate collegiate watersports programs and to facilitate access to navigable waters for students and faculty.

NOTE: This public notice and associated plans are available on the Corps' website at: <http://www.sac.usace.army.mil/Missions/Regulatory/PublicNotices> . For those unable to access the website, a copy of this notice and the associated plans will be provided, upon receipt of a written request. The request must identify the project of interest by public notice number and a self-addressed stamped envelope must also be provided. Your request should be addressed to the

**U.S. Army Corps of Engineers
ATTN: REGULATORY DIVISION
69-A Hagood Avenue
Charleston, South Carolina 29403**

The District Engineer has concluded that the discharges associated with this project, both direct and indirect, should be reviewed by the South Carolina Department of Health and Environmental Control in accordance with provisions of Section 401 of the Clean Water Act. As such, this notice constitutes a request, on behalf of the applicant, for certification that this project will comply with applicable effluent limitations and water quality standards. The work shown on this application must also be certified as consistent with applicable provisions of the Coastal Zone Management Program (15 CFR 930). This activity may also require evaluation for compliance with the S. C. Construction in Navigable Waters Permit Program. State review, permitting and certification is conducted by the S. C. Department of Health and Environmental Control. The District Engineer will not process this application to a conclusion until such certifications are

received. The applicant is hereby advised that supplemental information may be required by the State to facilitate the review.

This notice initiates the Essential Fish Habitat (EFH) consultation requirements of the Magnuson-Stevens Fishery Conservation and Management Act. Implementation of the proposed project would impact (0.1) acres of estuarine substrates utilized by various life stages of species comprising the shrimp, and snapper-grouper management complexes. The District Engineer's initial determination is that the proposed action would not have a substantial individual or cumulative adverse impact on EFH or fisheries managed by the South Atlantic Fishery Management Council and the National Marine Fisheries Service (NMFS). The District Engineer's final determination relative to project impacts and the need for mitigation measures is subject to review by and coordination with the NMFS.

Pursuant to the Section 7 of the Endangered Species Act of 1973 (as amended), the Corps has reviewed the project area, examined all information provided by the applicant, and the District Engineer has determined, based on the most recently available information that the project will have no effect on any Federally endangered, threatened, or proposed species and will not result in the destruction or adverse modification of designated or proposed critical habitat. This public notice serves as a request to the U.S. Fish and Wildlife Service and the National Marine Fisheries Service for any additional information they may have on whether any listed or proposed endangered or threatened species or designated or proposed critical habitat may be present in the area which would be affected by the activity.

Pursuant to Section 106 of the National Historic Preservation Act (NHPA), this public notice also constitutes a request to Indian Tribes to notify the District Engineer of any historic properties of religious and cultural significance to them that may be affected by the proposed undertaking.

In accordance with Section 106 of the NHPA, the District Engineer has consulted South Carolina ArchSite (GIS), for the presence or absence of historic properties (as defined in 36 C.F.R. 800.16)(f)(1)), and has initially determined that no historic properties are present; therefore, there will be no effect on historic properties. To ensure that other historic properties that the District Engineer is not aware of are not overlooked, this public notice also serves as a request to the State Historic Preservation Office and any other interested parties to provide any information they may have with regard to historic properties. This public notice serves as a request for concurrence within 30 days from the SHPO (and/or Tribal Historic Preservation Officer).

The District Engineer's final eligibility and effect determination will be based upon coordination with the SHPO and/or THPO, as appropriate and required and with full consideration given to the proposed undertaking's potential direct and indirect effects on historic properties within the Corps-identified permit area.

Any person may request, in writing, within the comment period specified in this notice, that a public hearing be held to consider this application. Requests for a public hearing shall state, with particularity, the reasons for holding a public hearing.

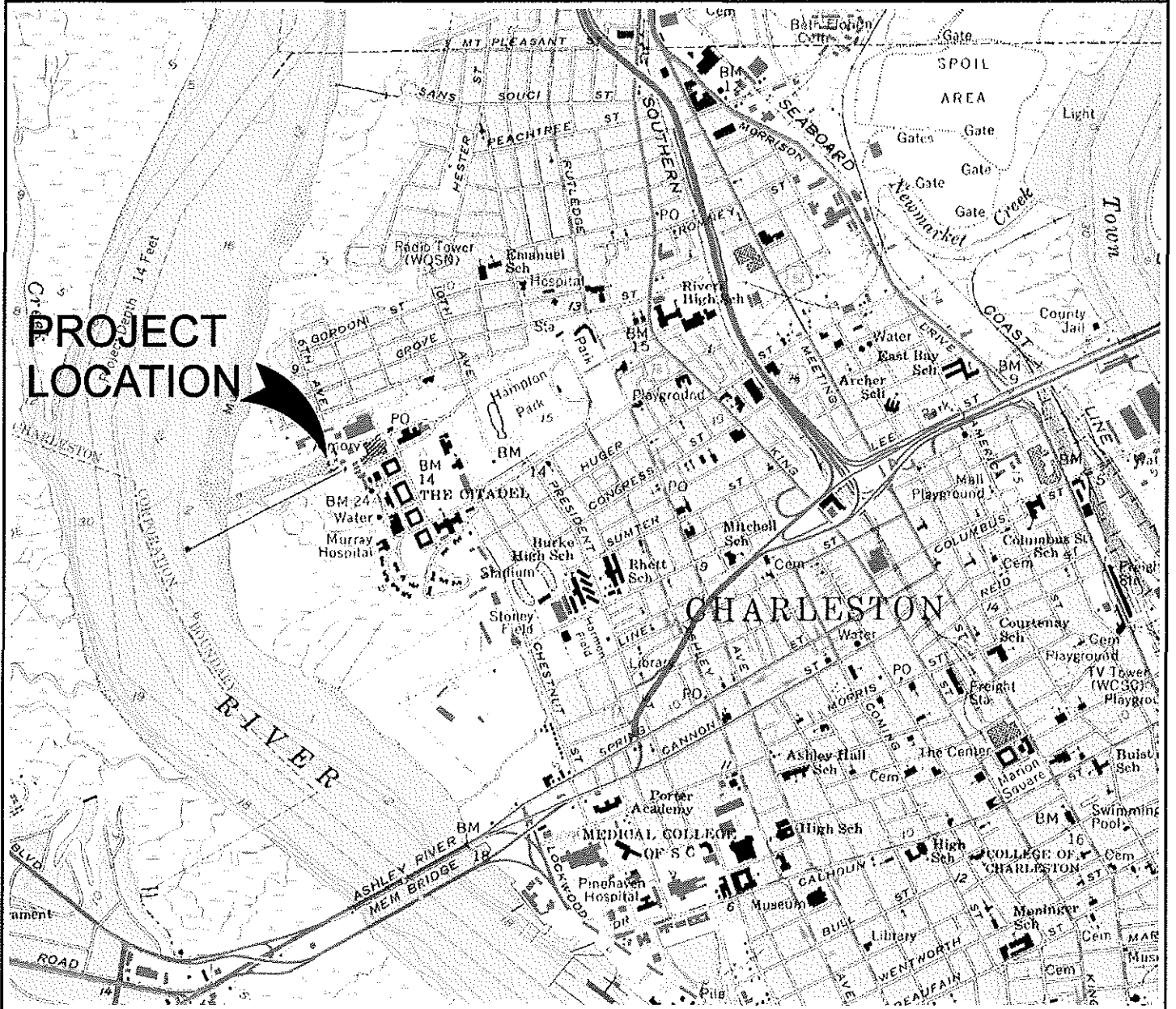
The decision whether to issue a permit will be based on an evaluation of the probable impact including cumulative impacts of the activity on the public interest and will include application of the guidelines promulgated by the Administrator, Environmental Protection Agency (EPA), under

authority of Section 404(b) of the Clean Water Act and, as appropriate, the criteria established under authority of Section 102 of the Marine Protection, Research and Sanctuaries Act of 1972, as amended. That decision will reflect the national concern for both protection and utilization of important resources. The benefit which reasonably may be expected to accrue from the project must be balanced against its reasonably foreseeable detriments. All factors which may be relevant to the project will be considered including the cumulative effects thereof; among those are conservation, economics, aesthetics, general environmental concerns, wetlands, historic properties, fish and wildlife values, flood hazards, flood plain values, land use, navigation, shoreline erosion and accretion, recreation, water supply and conservation, water quality, energy needs, safety, food and fiber production and, in general, the needs and welfare of the people. A permit will be granted unless the District Engineer determines that it would be contrary to the public interest. In cases of conflicting property rights, the Corps cannot undertake to adjudicate rival claims.

The Corps is soliciting comments from the public; Federal, state, and local agencies and officials; Indian Tribes; and other interested parties in order to consider and evaluate the impacts of this activity. Any comments received will be considered by the Corps to determine whether to issue, modify, condition or deny a permit for this project. To make this decision, comments are used to assess impacts on endangered species, historic properties, water quality, general environmental effects, and the other public interest factors listed above. Comments are used in the preparation of an Environmental Assessment and/or an Environmental Impact Statement pursuant to the National Environmental Policy Act. Comments are also used to determine the need for a public hearing and to determine the overall public interest of the activity.

If there are any questions concerning this public notice, please contact Mary Hope Green, Project Manager, at 843-329-8034 or toll free at 1-866-329-8187.

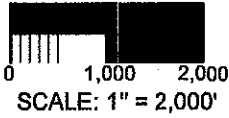
DIM Reconfig Permit.DWG 04/09/10



SOURCE: USGS 7.5 MIN. TOPOGRAPHIC QUADRANGLE "CHARLESTON, SC" OBTAINED FROM SCDNR GIS DATABASE.



SAC-2014-416



FOR PERMITTING PURPOSES ONLY. NOT FOR CONSTRUCTION.

PURPOSE: ACCESS TO NAVIGABLE WATERS
 DATUM: MLW
 APPLICATION BY: THE CITADEL
 USAGE #: ~~NA~~ SAC-2014-416
 ADJACENT PROPERTY OWNERS: SEE ATTACHED
 DATE: 06/07/16

LOCATION MAP
 THE CITADEL
 171 MOULTRIE STREET
 CHARLESTON, SC 29409

PROPOSED: REDEVELOP BOATING CENTER—
 INSTALL FLOATING DOCKS, BOAT LIFTS
 AND RIPRAP REVETMENT, REPAIR EXISTING
 BULKHEAD AND RECONFIGURE EXISTING
 BOAT RAMP.
 AT: ASHLEY RIVER AND HAMMOND AVE.
 COUNTY OF: CHARLESTON
 STATE: SOUTH CAROLINA SHEET 1

ASLEY RIVER

PROJECT
LOCATION



SOURCE: GOOGLE EARTH, 2015



NORTH



SCALE: 1" = 400'

FOR PERMITTING PURPOSES ONLY. NOT FOR CONSTRUCTION.

PURPOSE: ACCESS TO NAVIGABLE WATERS
 DATUM: MLW
 APPLICATION BY: THE CITADEL
 USACE #: N/A
 ADJACENT PROPERTY OWNERS: SEE ATTACHED
 DATE: 06/07/16

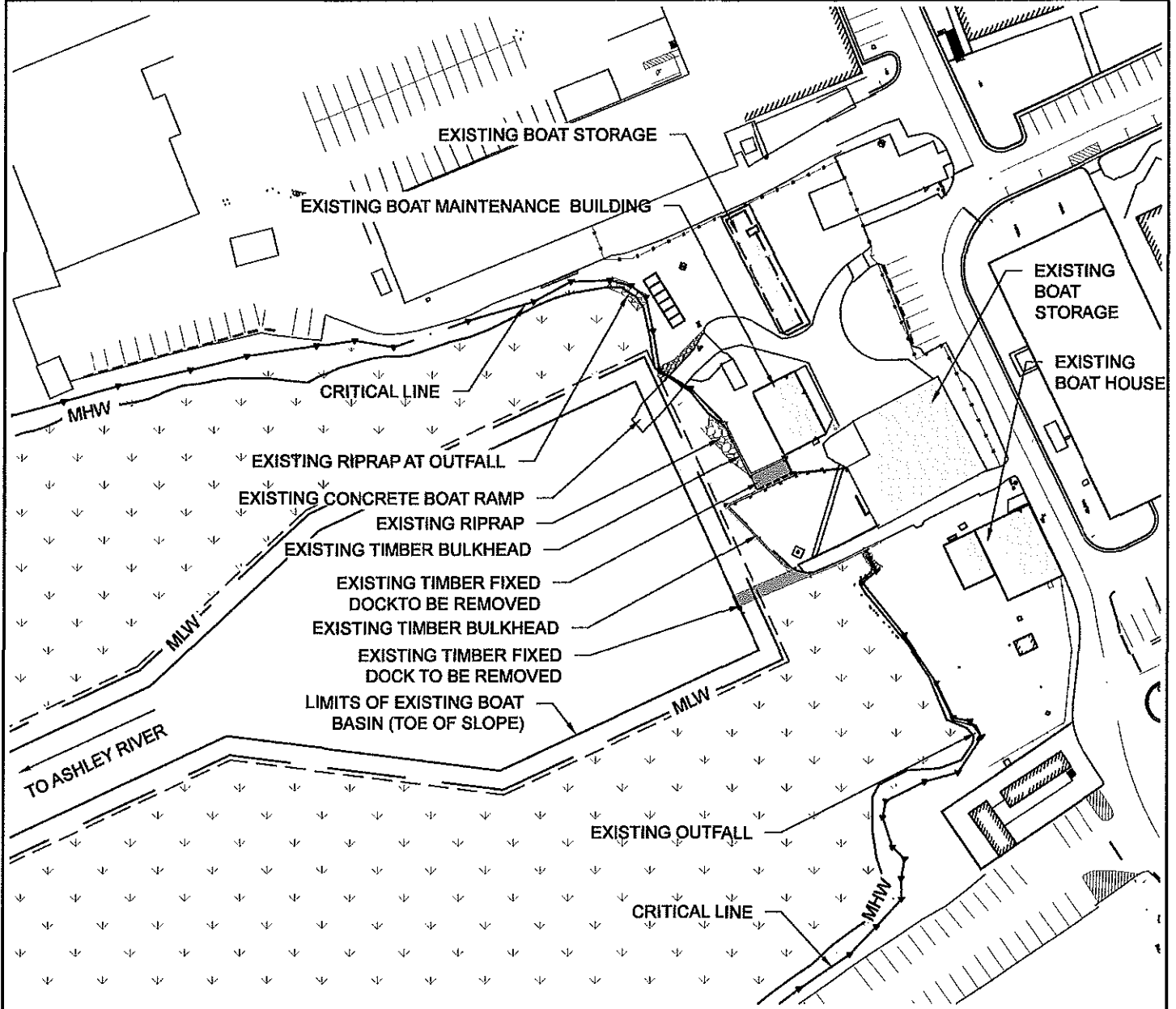
VICINITY MAP

THE CITADEL
 171 MOULTRIE STREET
 CHARLESTON, SC 29409

PROPOSED: REDEVELOP BOATING CENTER—
 INSTALL FLOATING DOCKS, BOAT LIFTS
 AND RIPRAP REVETMENT, REPAIR EXISTING
 BULKHEAD AND RECONFIGURE EXISTING
 BOAT RAMP.
 AT: ASHLEY RIVER AND HAMMOND AVE.
 COUNTY OF: CHARLESTON
 STATE: SOUTH CAROLINA

SHEET 2

DIM Reconfig Permit.DWG 04/09/10



NOTES:

1. THE CRITICAL AREA LINE SHOWN ON THESE DRAWINGS IS TAKEN DIRECTLY FROM JANUARY 27, 2014 "PARTIAL CRITICAL LINE SURVEY OF THE BOATING CENTER AT THE CITADEL". THIS PLAT WAS CERTIFIED BY STEVE BROOKS ON MAY 8, 2014.
2. THE INFORMATION SHOWN IN THESE DRAWINGS HAS BEEN COMPILED FROM SURVEYS PERFORMED BY FORSBERG ENGINEERING AND GEL ENGINEERING, LLC.
3. BATHYMETRIC CONTOURS SHOWN ARE EXISTING AND MEASURED IN FEET BELOW MEAN LOW WATER (MLW).
4. SEE SHEET 4 FOR ENLARGED VIEW OF EXISTING CONDITIONS IN THE PROJECT AREA. SEE SHEETS 5, 6 AND 7 FOR PROPOSED IMPROVEMENTS.



NORTH



SCALE: 1" = 100'

FOR PERMITTING PURPOSES ONLY. NOT FOR CONSTRUCTION.

PURPOSE: ACCESS TO NAVIGABLE WATERS
 DATUM: MLW
 APPLICATION BY: THE CITADEL
 USACE #: N/A
 ADJACENT PROPERTY OWNERS: SEE ATTACHED
 DATE: 06/07/16

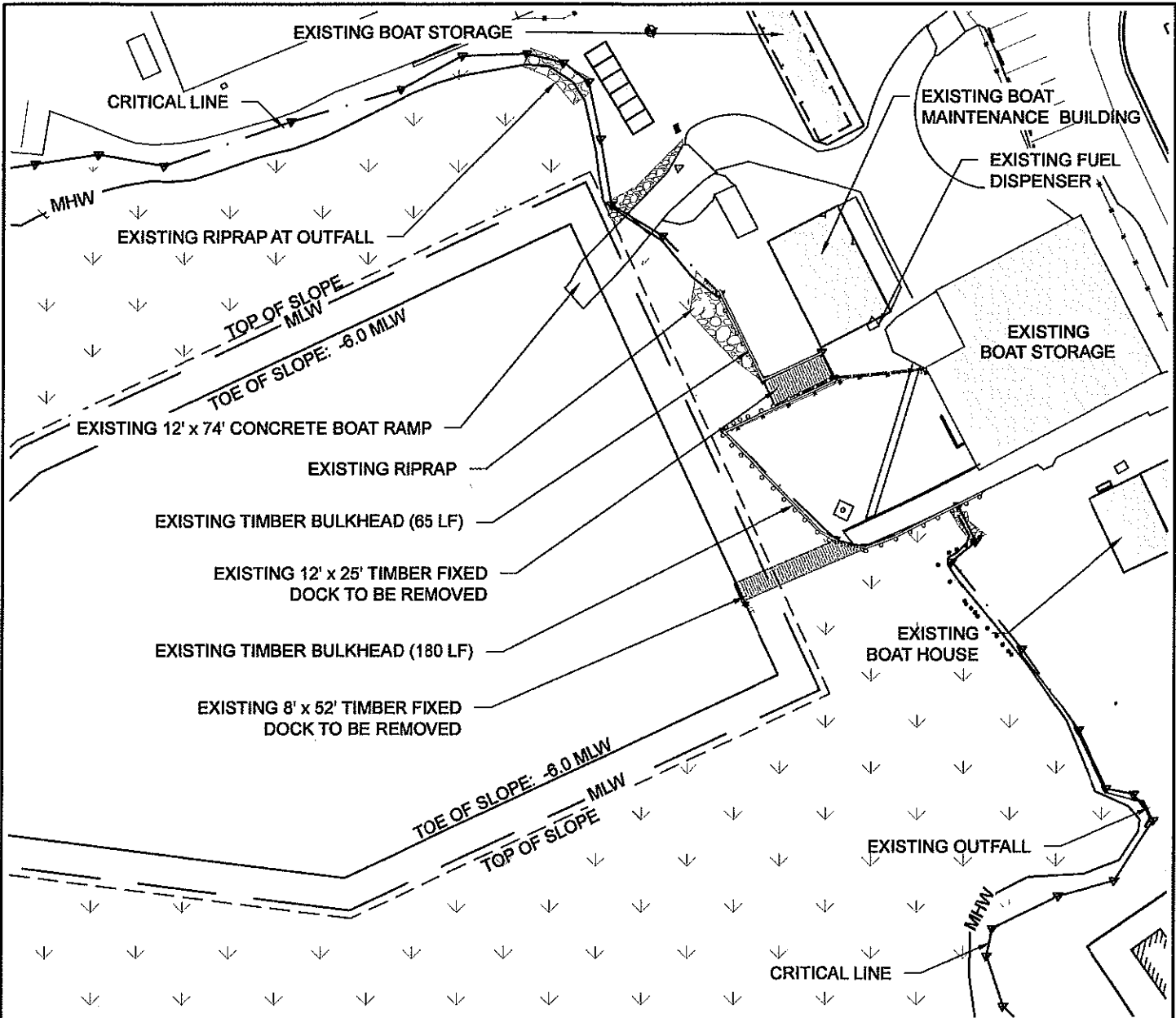
**EXISTING CONDITIONS
OVERALL FACILITY**

THE CITADEL
 171 MOULTRIE STREET
 CHARLESTON, SC 29409

PROPOSED: REDEVELOP BOATING CENTER—
 INSTALL FLOATING DOCKS, BOAT LIFTS
 AND RIPRAP REVETMENT, REPAIR EXISTING
 BULKHEAD AND RECONFIGURE EXISTING
 BOAT RAMP.
 AT: ASHLEY RIVER AND HAMMOND AVE.
 COUNTY OF: CHARLESTON
 STATE: SOUTH CAROLINA

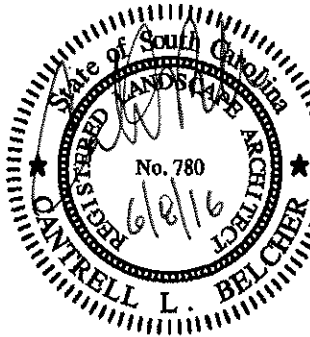
SHEET 3

04/09/10
DIM Recertifg Permit.DWG



NOTES:

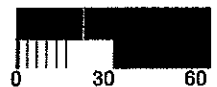
1. THE CRITICAL AREA LINE SHOWN ON THESE DRAWINGS IS TAKEN DIRECTLY FROM JANUARY 27, 2014 "PARTIAL CRITICAL LINE SURVEY OF THE BOATING CENTER AT THE CITADEL". THIS PLAT WAS CERTIFIED BY STEVE BROOKS ON MAY 8, 2014.
2. THE INFORMATION SHOWN IN THESE DRAWINGS HAS BEEN COMPILED FROM SURVEYS PERFORMED BY FORSBERG ENGINEERING AND GEL ENGINEERING, LLC.
3. BATHYMETRIC CONTOURS SHOWN ARE EXISTING AND MEASURED IN FEET BELOW MEAN LOW WATER (MLW).
4. SEE SHEETS 5 THRU 8 FOR PROPOSED IMPROVEMENTS.



FOR PERMITTING PURPOSES ONLY. NOT FOR CONSTRUCTION.



NORTH



SCALE: 1" = 60'

PURPOSE: ACCESS TO NAVIGABLE WATERS
 DATUM: MLW
 APPLICATION BY: THE CITADEL
 USACE #: N/A
 ADJACENT PROPERTY OWNERS: SEE ATTACHED
 DATE: 06/07/16

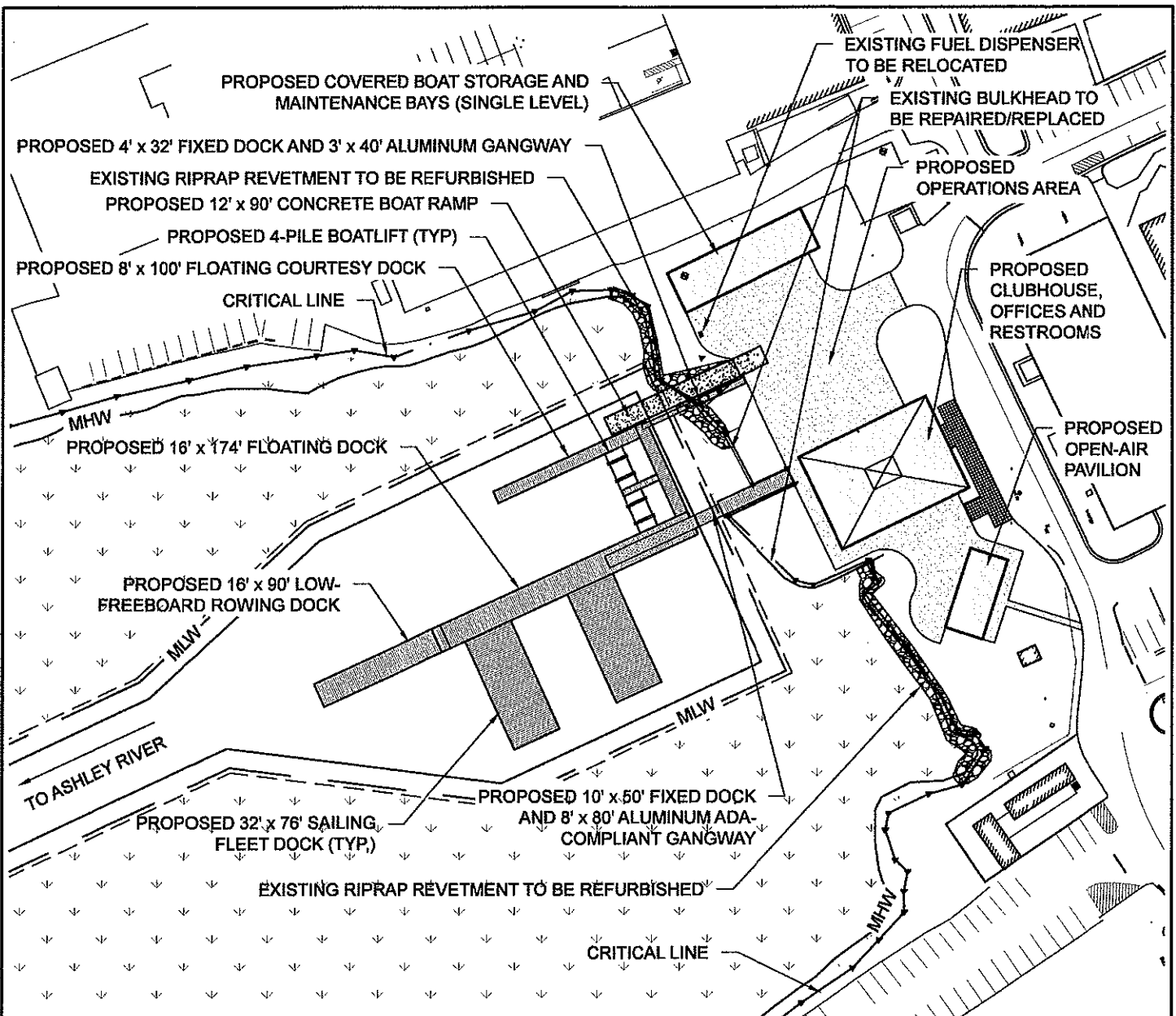
EXISTING CONDITIONS ENLARGED VIEW

THE CITADEL
 171 MOULTRIE STREET
 CHARLESTON, SC 29409

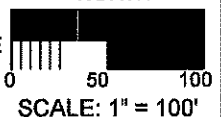
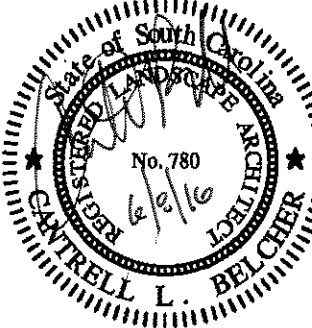
PROPOSED: REDEVELOP BOATING CENTER--
 INSTALL FLOATING DOCKS, BOAT LIFTS
 AND RIPRAP REVETMENT, REPAIR EXISTING
 BULKHEAD AND RECONFIGURE EXISTING
 BOAT RAMP.
 AT: ASHLEY RIVER AND HAMMOND AVE.
 COUNTY OF: CHARLESTON
 STATE: SOUTH CAROLINA

SHEET 4

D:\k Reconfig Permit.DWG 04/09/10



- NOTES:**
1. THE CRITICAL AREA LINE SHOWN ON THESE DRAWINGS IS TAKEN DIRECTLY FROM JANUARY 27, 2014 "PARTIAL CRITICAL LINE SURVEY OF THE BOATING CENTER AT THE CITADEL". THIS PLAT WAS CERTIFIED BY STEVE BROOKS ON MAY 8, 2014.
 2. THE INFORMATION SHOWN IN THESE DRAWINGS HAS BEEN COMPILED FROM SURVEYS PERFORMED BY FORSBERG ENGINEERING AND GEL ENGINEERING, LLC.
 3. BATHYMETRIC CONTOURS SHOWN ARE EXISTING AND MEASURED IN FEET BELOW MEAN LOW WATER (MLW).
 4. SEE SHEETS 6 THRU 8 FOR ENLARGED VIEW OF EXISTING CONDITIONS IN THE PROJECT AREA.



FOR PERMITTING PURPOSES ONLY. NOT FOR CONSTRUCTION.

PURPOSE: ACCESS TO NAVIGABLE WATERS
 DATUM: MLW
 APPLICATION BY: THE CITADEL
 USACE #: N/A
 ADJACENT PROPERTY OWNERS: SEE ATTACHED
 DATE: 06/07/16

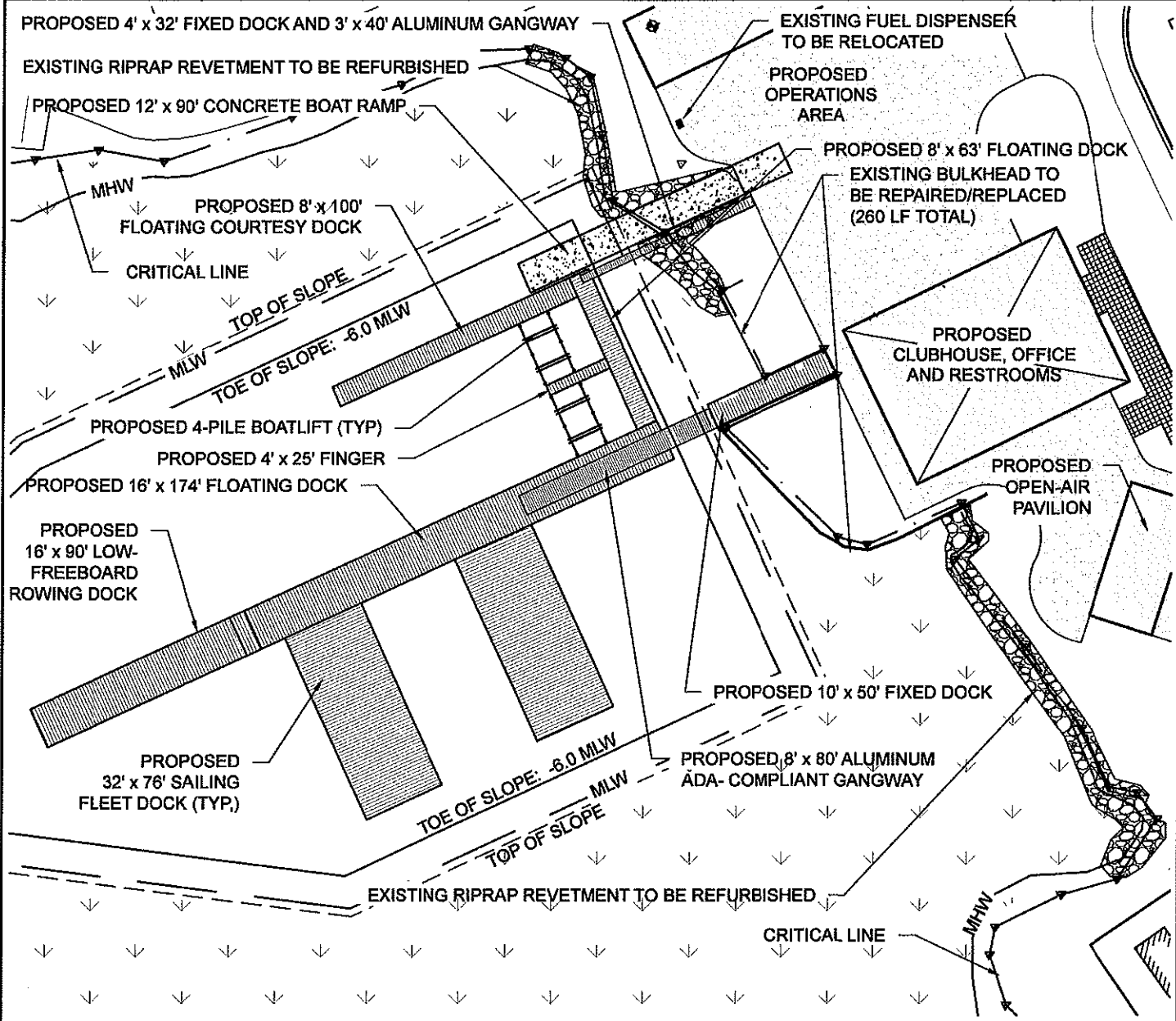
**PROPOSED IMPROVEMENTS
 OVERALL FACILITY**

THE CITADEL
 171 MOULTRIE STREET
 CHARLESTON, SC 29409

PROPOSED: REDEVELOP BOATING CENTER—
 INSTALL FLOATING DOCKS, BOAT LIFTS
 AND RIPRAP REVETMENT, REPAIR EXISTING
 BULKHEAD AND RECONFIGURE EXISTING
 BOAT RAMP.
 AT: ASHLEY RIVER AND HAMMOND AVE.
 COUNTY OF: CHARLESTON
 STATE: SOUTH CAROLINA

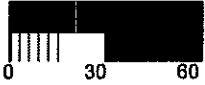
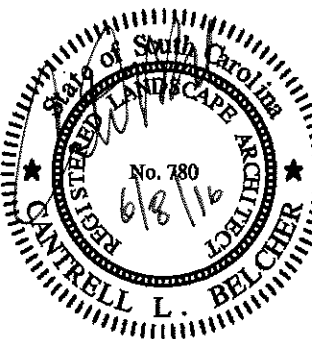
SHEET 5

DIM Reconfig Permit.DWG 04/09/10



NOTES:

1. THE CRITICAL AREA LINE SHOWN ON THESE DRAWINGS IS TAKEN DIRECTLY FROM JANUARY 27, 2014 "PARTIAL CRITICAL LINE SURVEY OF THE BOATING CENTER AT THE CITADEL". THIS PLAT WAS CERTIFIED BY STEVE BROOKS ON MAY 8, 2014.
2. THE INFORMATION SHOWN IN THESE DRAWINGS HAS BEEN COMPILED FROM SURVEYS PERFORMED BY FORSBERG ENGINEERING AND GEL ENGINEERING, LLC.
3. BATHYMETRIC CONTOURS SHOWN ARE EXISTING AND MEASURED IN FEET BELOW MEAN LOW WATER (MLW).
4. SEE SHEET 7 FOR DIMENSIONS. SEE SHEET 8 FOR CROSS SECTION AND ELEVATION LOCATIONS.



FOR PERMITTING PURPOSES ONLY. NOT FOR CONSTRUCTION.

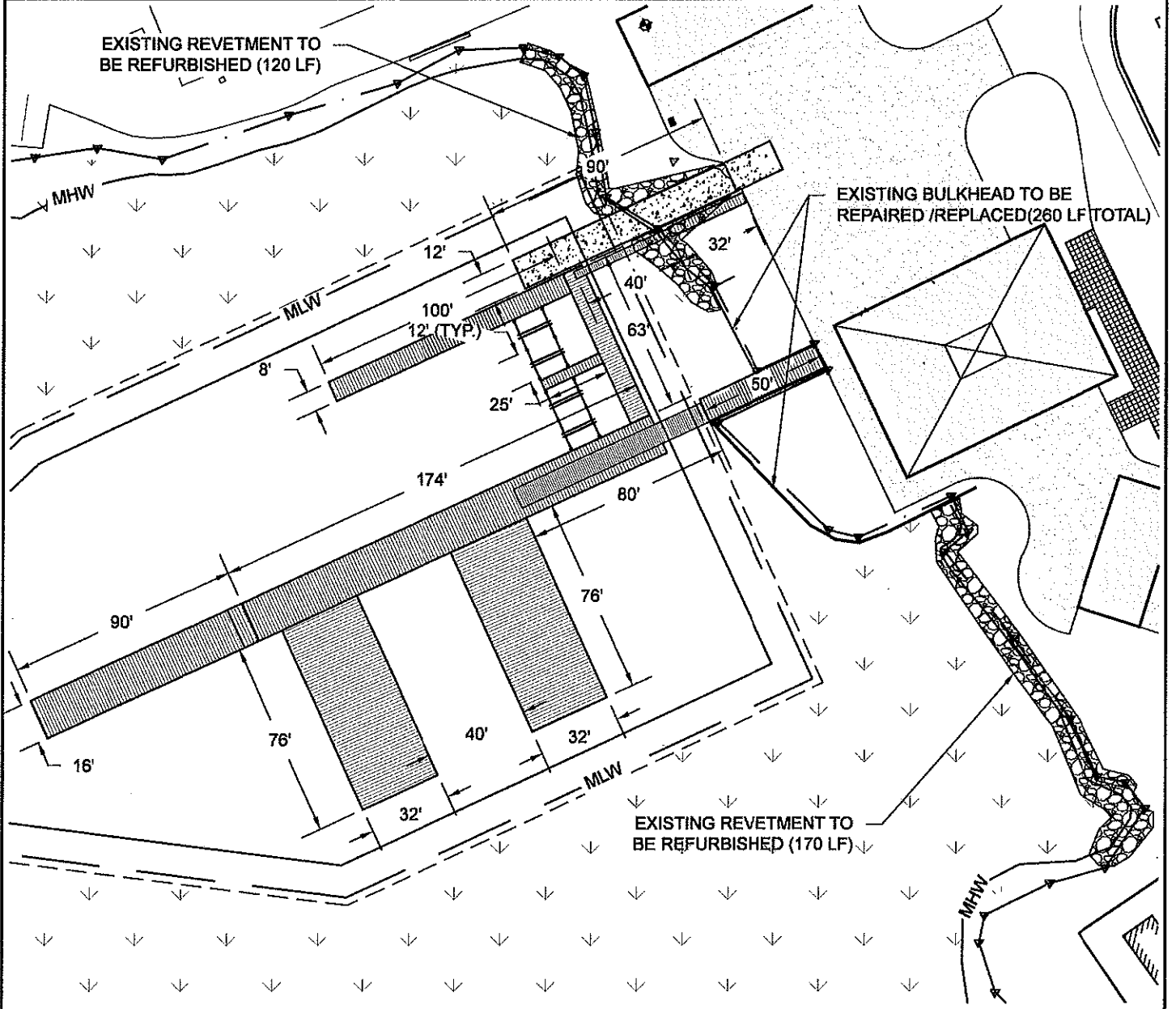
PURPOSE: ACCESS TO NAVIGABLE WATERS
 DATUM: MLW
 APPLICATION BY: THE CITADEL
 USAGE #: N/A
 ADJACENT PROPERTY OWNERS: SEE ATTACHED
 DATE: 06/07/16

PROPOSED IMPROVEMENTS ENLARGED VIEW

THE CITADEL
 171 MOULTRIE STREET
 CHARLESTON, SC 29409

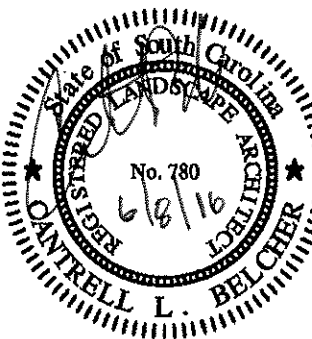
PROPOSED: REDEVELOP BOATING CENTER—
 INSTALL FLOATING DOCKS, BOAT LIFTS
 AND RIPRAP REVETMENT, REPAIR EXISTING
 BULKHEAD AND RECONFIGURE EXISTING
 BOAT RAMP.
 AT: ASHLEY RIVER AND HAMMOND AVE.
 COUNTY OF: CHARLESTON
 STATE: SOUTH CAROLINA

04/09/10
Dim Reconfig Permit.DWG



NOTES:

1. THE CRITICAL AREA LINE SHOWN ON THESE DRAWINGS IS TAKEN DIRECTLY FROM JANUARY 27, 2014 "PARTIAL CRITICAL LINE SURVEY OF THE BOATING CENTER AT THE CITADEL". THIS PLAT WAS CERTIFIED BY STEVE BROOKS ON MAY 8, 2014.
2. THE INFORMATION SHOWN IN THESE DRAWINGS HAS BEEN COMPILED FROM SURVEYS PERFORMED BY FORSBERG ENGINEERING AND GEL ENGINEERING, LLC.
3. BATHYMETRIC CONTOURS SHOWN ARE EXISTING AND MEASURED IN FEET BELOW MEAN LOW WATER (MLW).
4. SEE SHEET 8 FOR CROSS SECTION AND ELEVATION LOCATIONS.



FOR PERMITTING PURPOSES ONLY. NOT FOR CONSTRUCTION.

PURPOSE: ACCESS TO NAVIGABLE WATERS
 DATUM: MLW
 APPLICATION BY: THE CITADEL
 USAGE #: N/A
 ADJACENT PROPERTY OWNERS: SEE ATTACHED
 DATE: 06/07/16

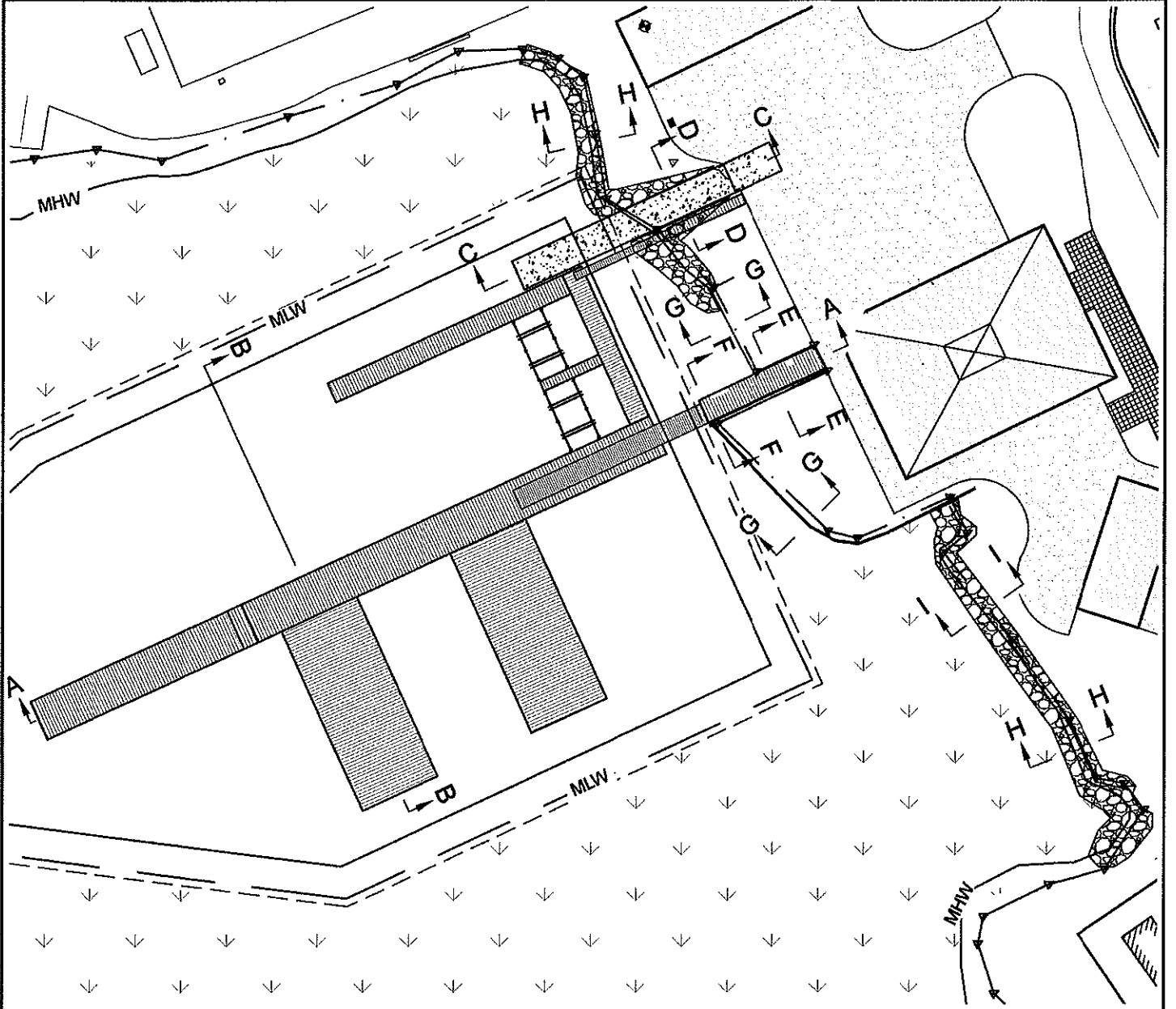
**PROPOSED IMPROVEMENTS
 ENLARGED VIEW
 WITH DIMENSIONS**

THE CITADEL
 171 MOULTRIE STREET
 CHARLESTON, SC 29409

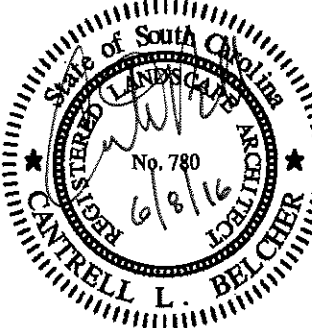
PROPOSED: REDEVELOP BOATING CENTER--
 INSTALL FLOATING DOCKS, BOAT LIFTS
 AND RIPRAP REVETMENT, REPAIR EXISTING
 BULKHEAD AND RECONFIGURE EXISTING
 BOAT RAMP.

AT: ASHLEY RIVER AND HAMMOND AVE.
 COUNTY OF: CHARLESTON
 STATE: SOUTH CAROLINA

DIM Reconfig Permit.DWG 04/09/10



- NOTES:**
1. THE CRITICAL AREA LINE SHOWN ON THESE DRAWINGS IS TAKEN DIRECTLY FROM JANUARY 27, 2014 "PARTIAL CRITICAL LINE SURVEY OF THE BOATING CENTER AT THE CITADEL". THIS PLAT WAS CERTIFIED BY STEVE BROOKS ON MAY 8, 2014.
 2. THE INFORMATION SHOWN IN THESE DRAWINGS HAS BEEN COMPILED FROM SURVEYS PERFORMED BY FORSBERG ENGINEERING AND GEL ENGINEERING, LLC.
 3. BATHYMETRIC CONTOURS SHOWN ARE EXISTING AND MEASURED IN FEET BELOW MEAN LOW WATER (MLW).
 4. SEE SHEETS 9 THRU 13 FOR CROSS SECTION AND ELEVATION VIEWS.



FOR PERMITTING PURPOSES ONLY. NOT FOR CONSTRUCTION.

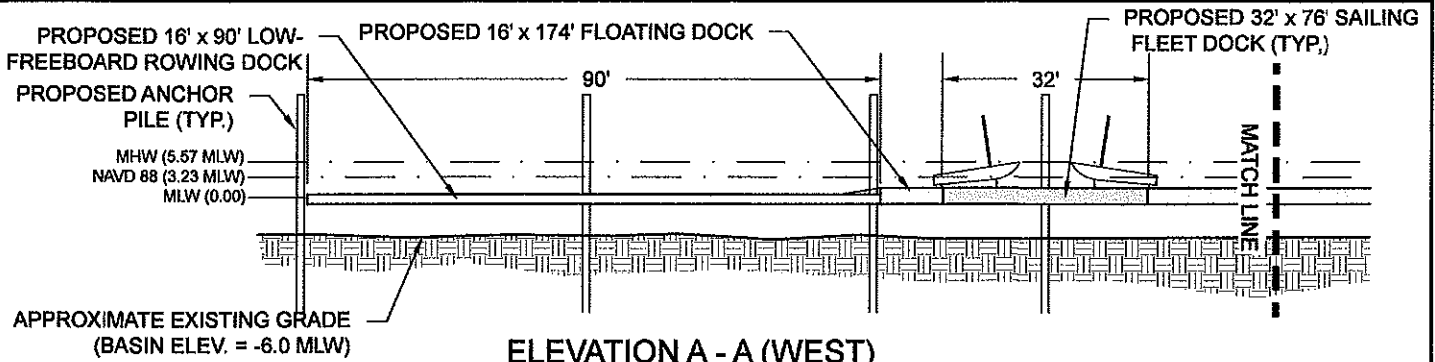
PURPOSE: ACCESS TO NAVIGABLE WATERS
 DATUM: MLW
 APPLICATION BY: THE CITADEL
 USACE #: N/A
 ADJACENT PROPERTY OWNERS: SEE ATTACHED
 DATE: 06/07/16

**PROPOSED IMPROVEMENTS
 CROSS SECTION AND
 ELEVATION LOCATIONS**

THE CITADEL
 171 MOULTRIE STREET
 CHARLESTON, SC 29409

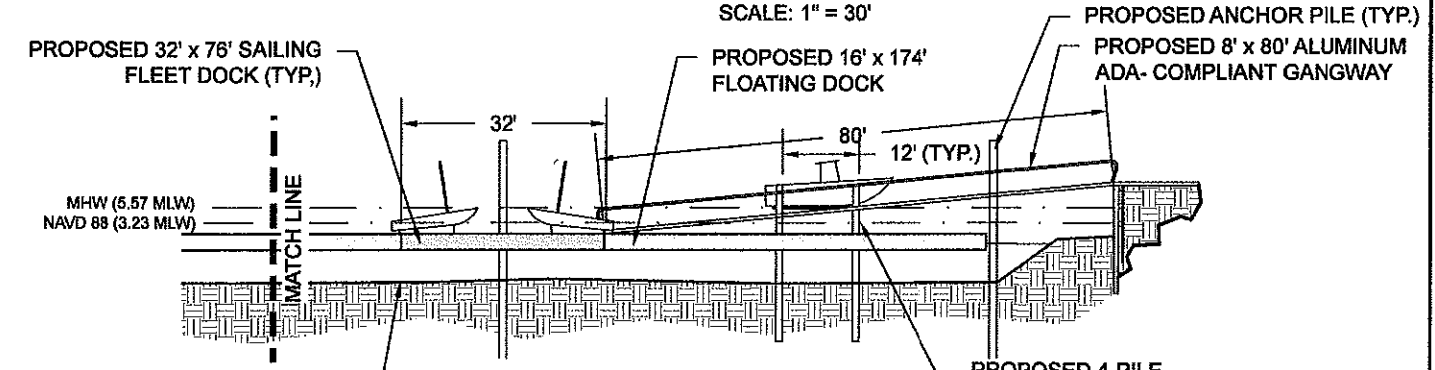
PROPOSED: REDEVELOP BOATING CENTER--
 INSTALL FLOATING DOCKS, BOAT LIFTS
 AND RIPRAP REVETMENT, REPAIR EXISTING
 BULKHEAD AND RECONFIGURE EXISTING
 BOAT RAMP.

AT: ASHLEY RIVER AND HAMMOND AVE.
 COUNTY OF: CHARLESTON
 STATE: SOUTH CAROLINA



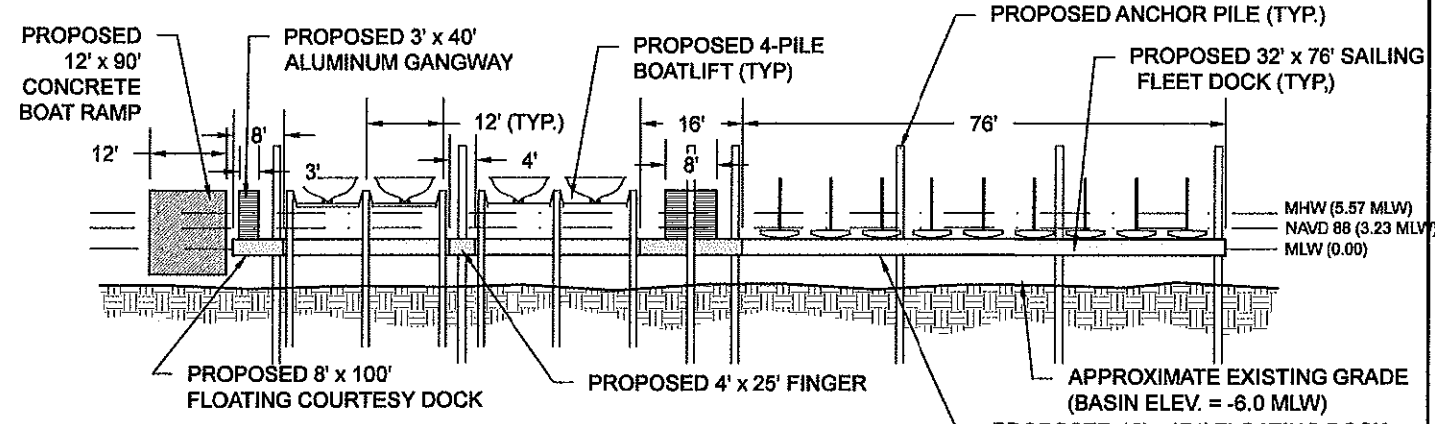
ELEVATION A - A (WEST)

SCALE: 1" = 30'



ELEVATION A - A (EAST)

SCALE: 1" = 30'



ELEVATION B - B

SCALE: 1" = 30'



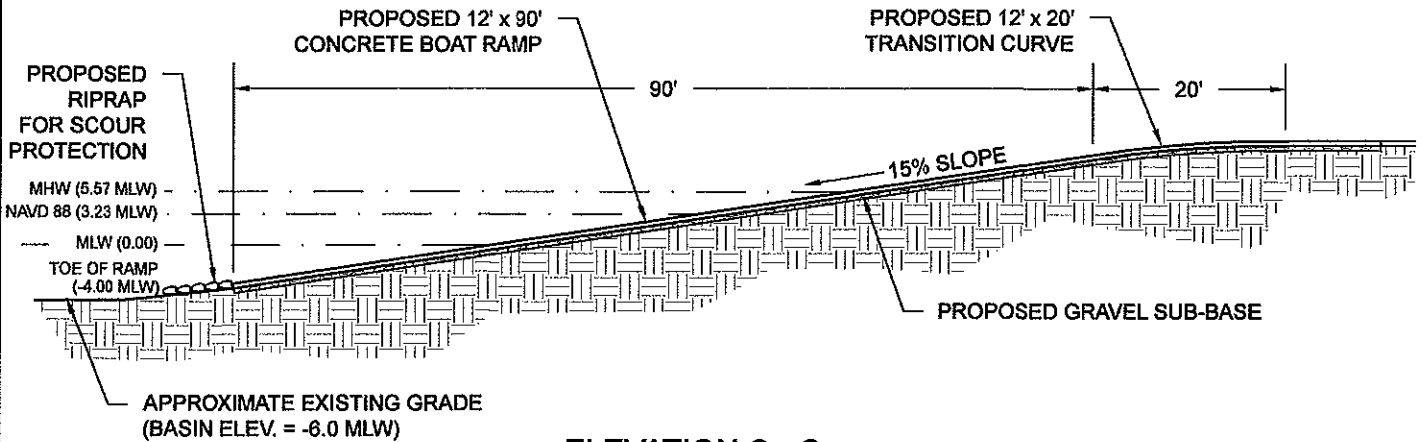
FOR PERMITTING PURPOSES ONLY. NOT FOR CONSTRUCTION.

PURPOSE: ACCESS TO NAVIGABLE WATERS
 DATUM: MLW
 APPLICATION BY: THE CITADEL
 USACE #: N/A
 ADJACENT PROPERTY OWNERS: SEE ATTACHED
 DATE: 06/07/16

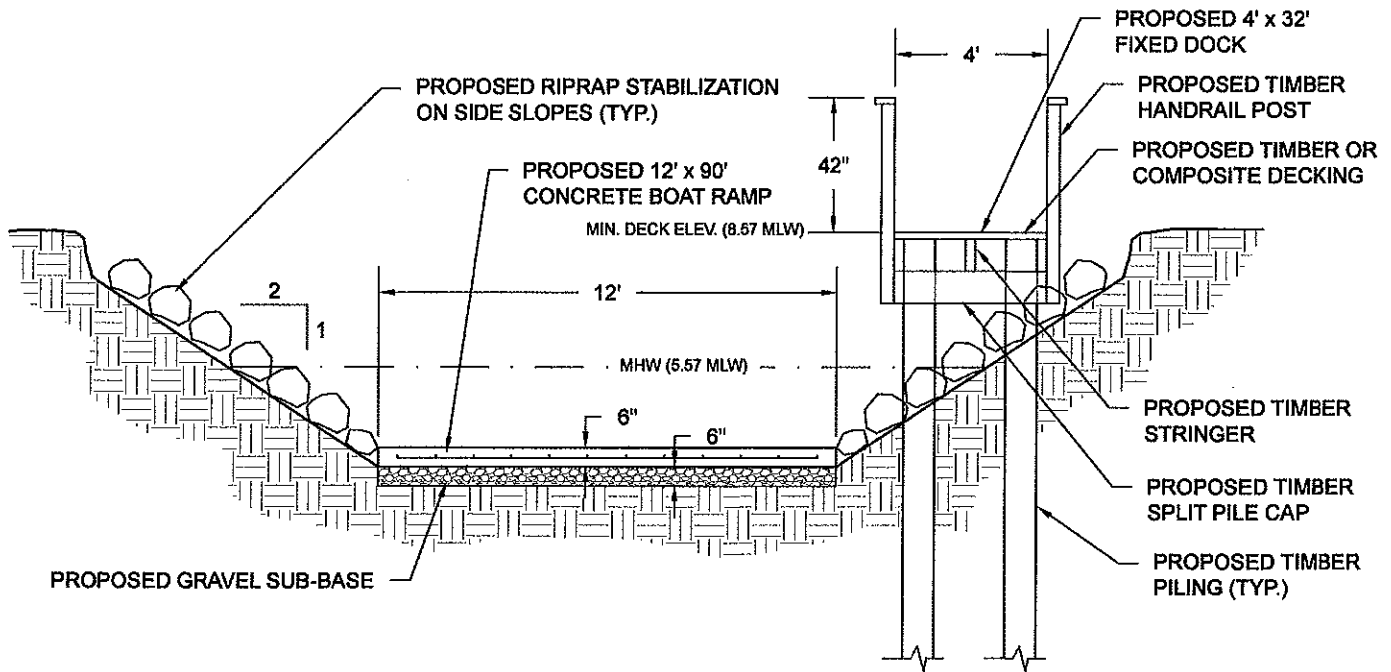
ELEVATION A - A
 ELEVATION B - B

THE CITADEL
 171 MOULTRIE STREET
 CHARLESTON, SC 29409

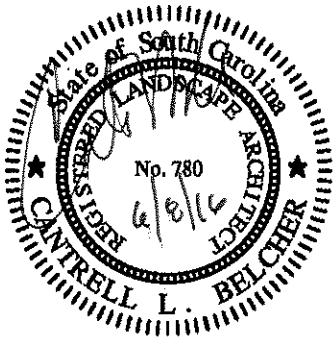
PROPOSED: REDEVELOP BOATING CENTER--
 INSTALL FLOATING DOCKS, BOAT LIFTS
 AND RIPRAP REVETMENT, REPAIR EXISTING
 BULKHEAD AND RECONFIGURE EXISTING
 BOAT RAMP.
 AT: ASHLEY RIVER AND HAMMOND AVE.
 COUNTY OF: CHARLESTON
 STATE: SOUTH CAROLINA



ELEVATION C - C
SCALE: 1" = 20'



CROSS SECTION D - D
SCALE: 1" = 5'



FOR PERMITTING PURPOSES ONLY. NOT FOR CONSTRUCTION.

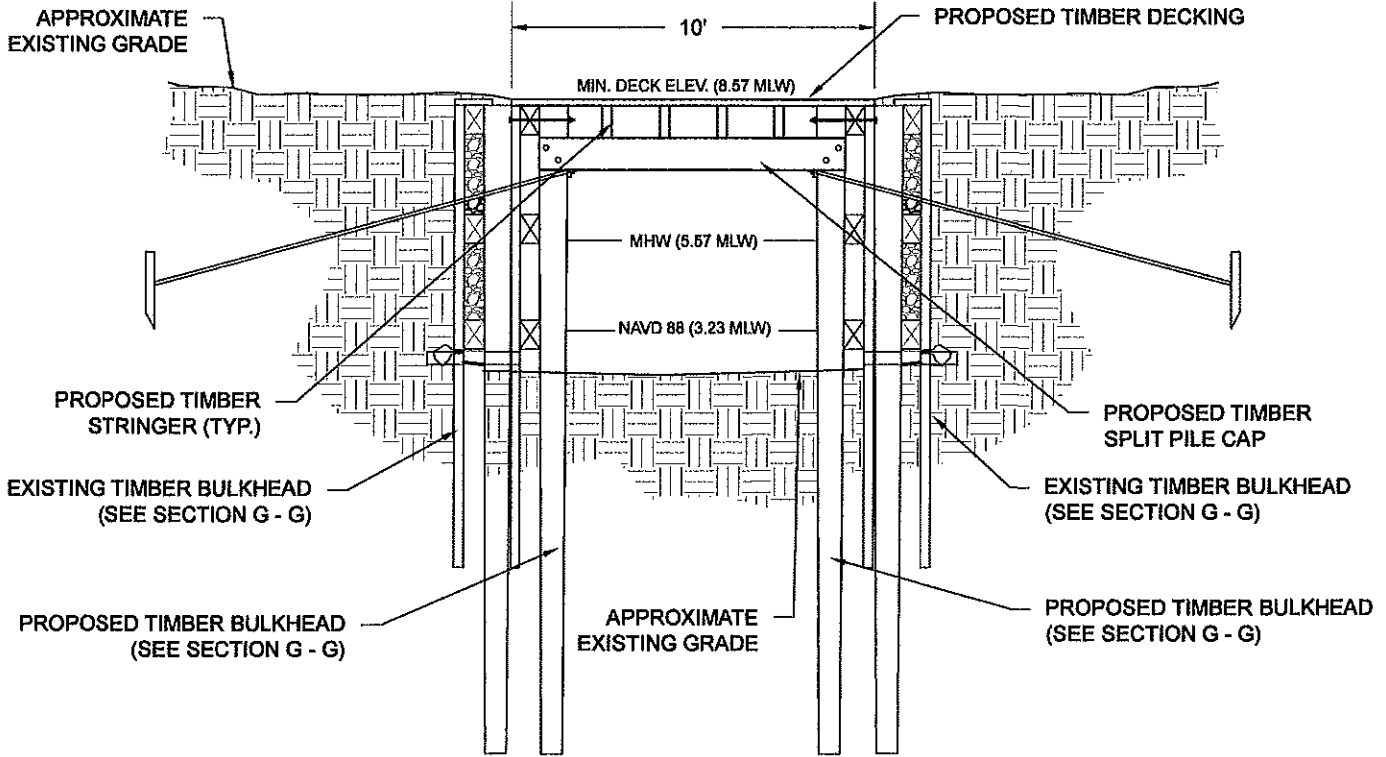
PURPOSE: ACCESS TO NAVIGABLE WATERS
 DATUM: MLW
 APPLICATION BY: THE CITADEL
 USACE #: N/A
 ADJACENT PROPERTY OWNERS: SEE ATTACHED
 DATE: 06/07/16

ELEVATION C - C
CROSS SECTION D - D

THE CITADEL
 171 MOULTRIE STREET
 CHARLESTON, SC 29409

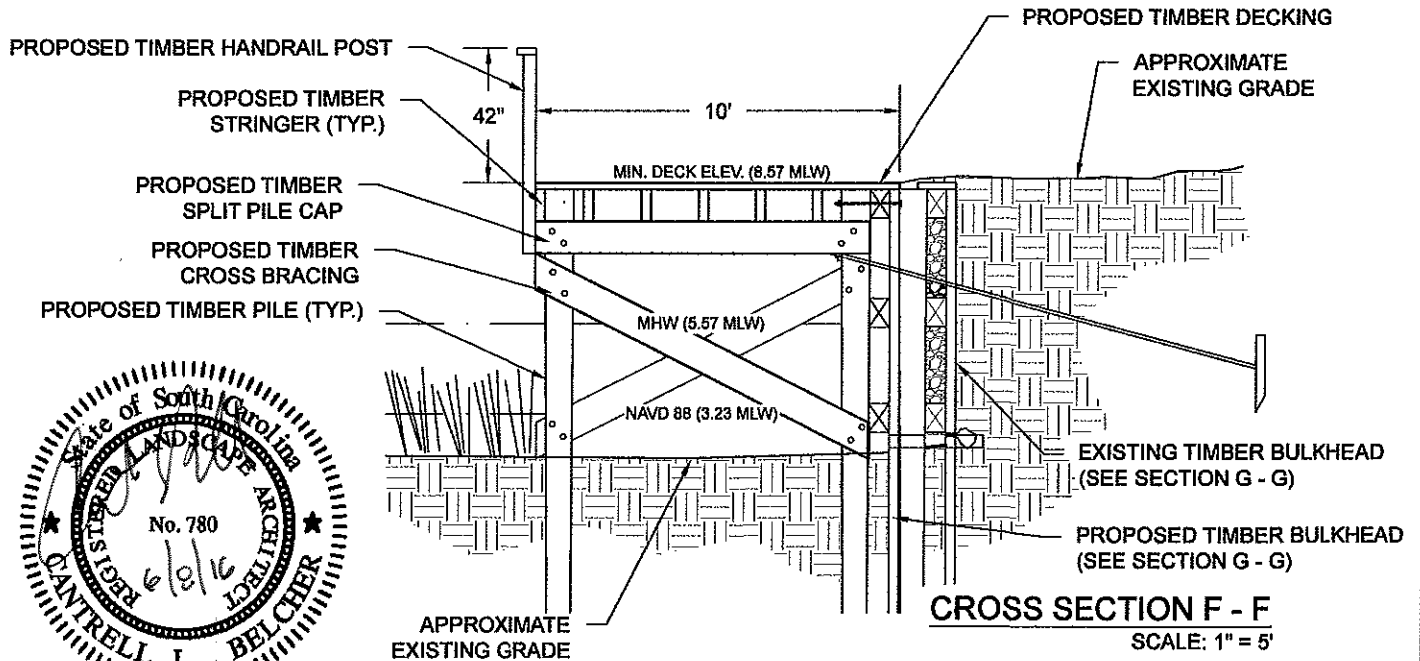
PROPOSED: REDEVELOP BOATING CENTER--
 INSTALL FLOATING DOCKS, BOAT LIFTS
 AND RIPRAP REVETMENT, REPAIR EXISTING
 BULKHEAD AND RECONFIGURE EXISTING
 BOAT RAMP.
 AT: ASHLEY RIVER AND HAMMOND AVE.
 COUNTY OF: CHARLESTON
 STATE: SOUTH CAROLINA

SHEET 10



CROSS SECTION E - E

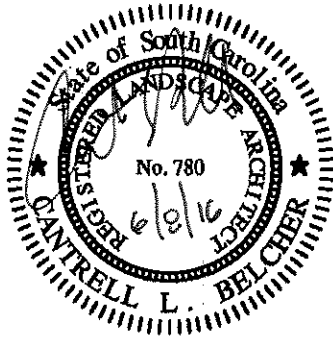
SCALE: 1" = 5'



CROSS SECTION F - F

SCALE: 1" = 5'

FOR PERMITTING PURPOSES ONLY. NOT FOR CONSTRUCTION.



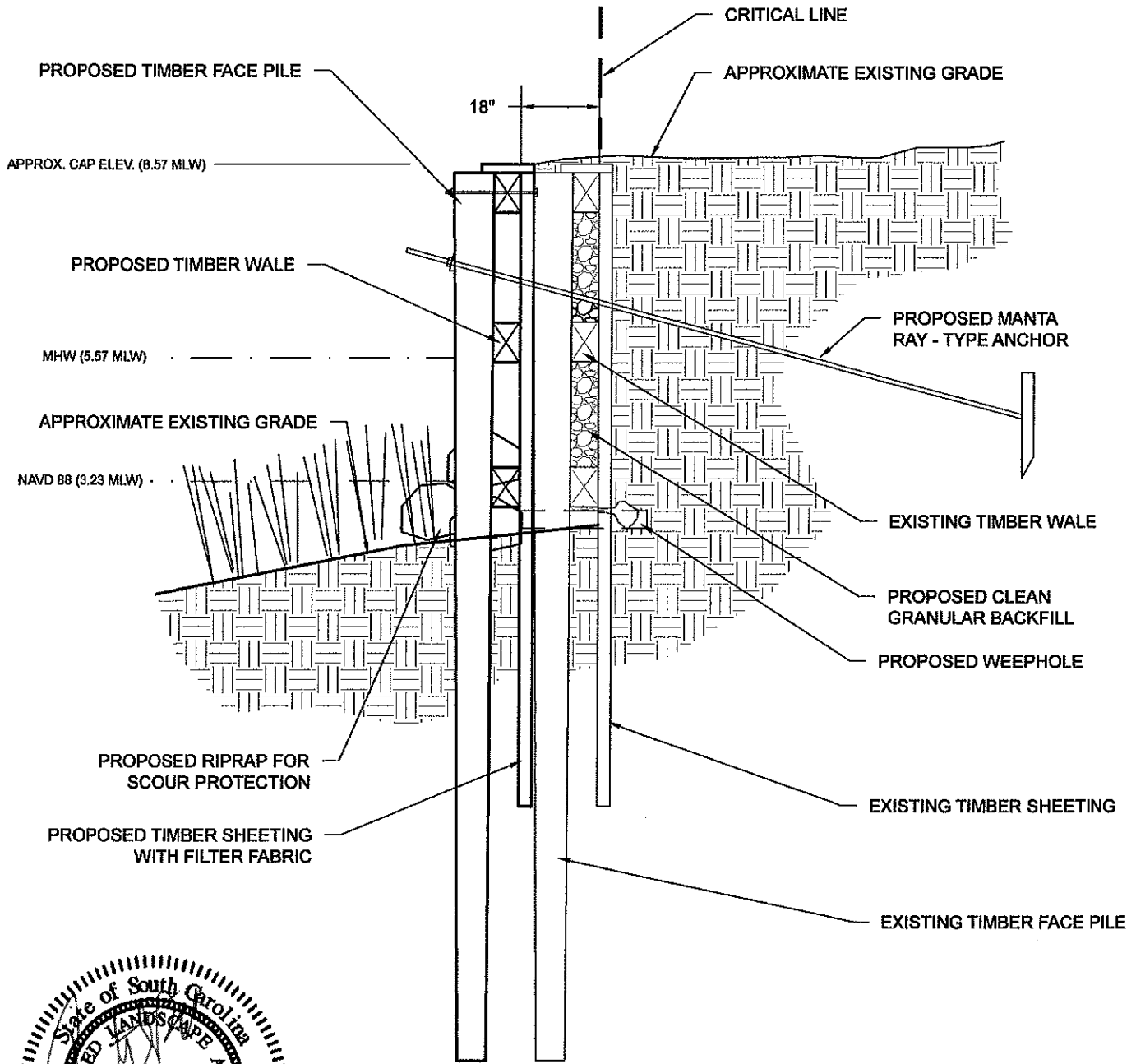
PURPOSE: ACCESS TO NAVIGABLE WATERS
 DATUM: MLW
 APPLICATION BY: THE CITADEL
 USAGE #: N/A
 ADJACENT PROPERTY OWNERS: SEE ATTACHED
 DATE: 06/07/16

CROSS SECTION E - E
 CROSS SECTION F - F

THE CITADEL
 171 MOULTRIE STREET
 CHARLESTON, SC 29409

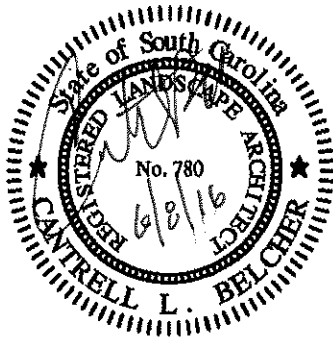
PROPOSED: REDEVELOP BOATING CENTER—
 INSTALL FLOATING DOCKS, BOAT LIFTS
 AND RIPRAP REVETMENT, REPAIR EXISTING
 BULKHEAD AND RECONFIGURE EXISTING
 BOAT RAMP.
 AT: ASHLEY RIVER AND HAMMOND AVE.
 COUNTY OF: CHARLESTON
 STATE: SOUTH CAROLINA

D:\M Reconfig Permit.DWG 04/09/10



CROSS SECTION G - G
SCALE: 1" = 3'

FOR PERMITTING PURPOSES ONLY. NOT FOR CONSTRUCTION.



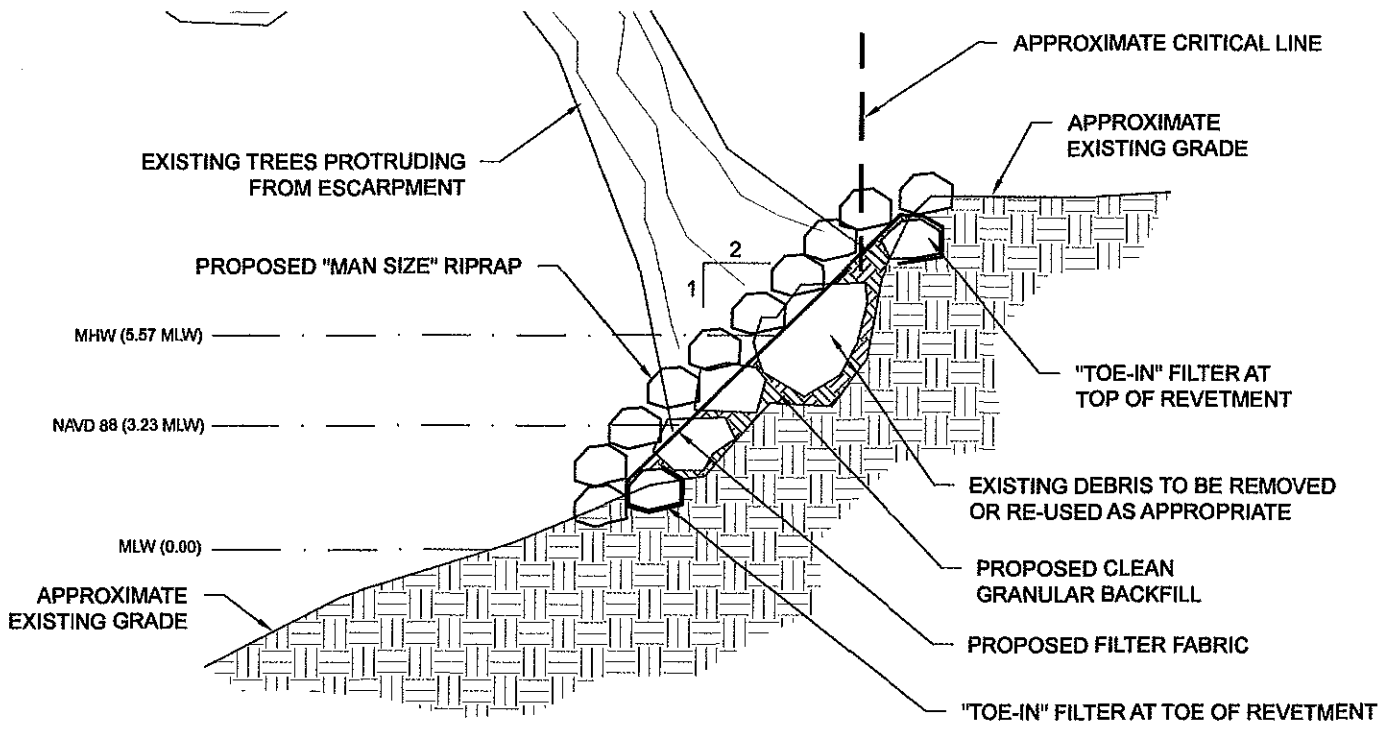
PURPOSE: ACCESS TO NAVIGABLE WATERS
 DATUM: MLW
 APPLICATION BY: THE CITADEL
 USACE #: N/A
 ADJACENT PROPERTY OWNERS: SEE ATTACHED
 DATE: 06/07/16

CROSS SECTION G - G

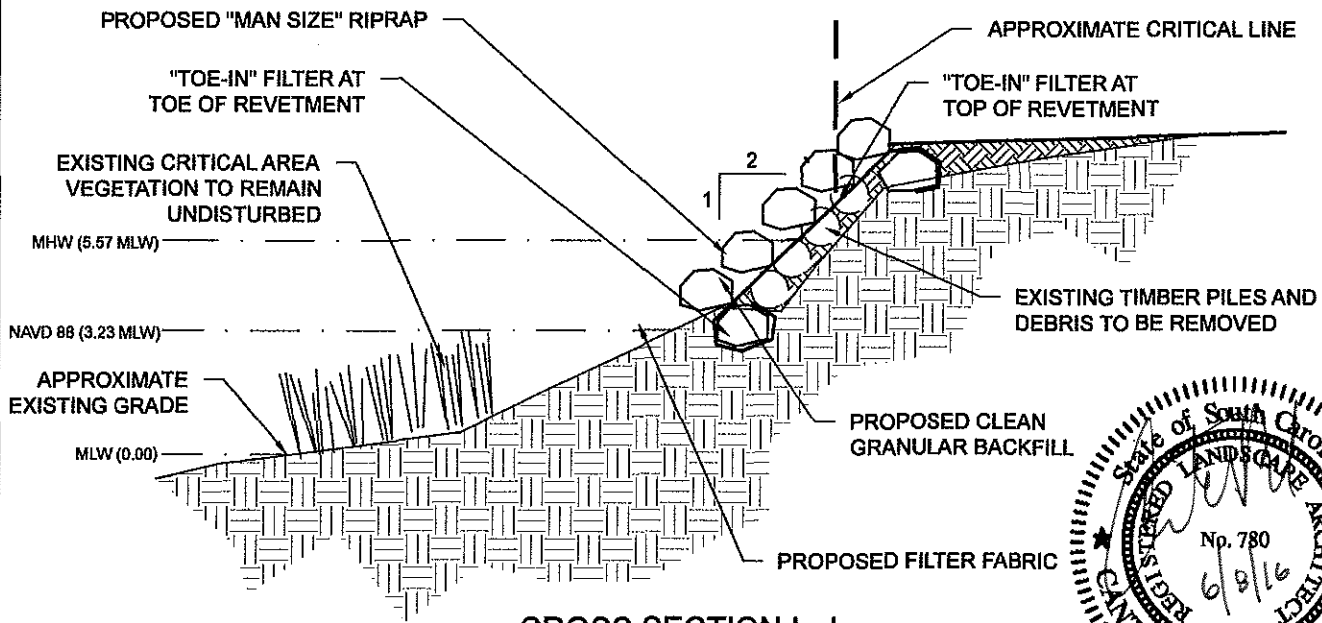
THE CITADEL
 171 MOULTRIE STREET
 CHARLESTON, SC 29409

PROPOSED: REDEVELOP BOATING CENTER—
 INSTALL FLOATING DOCKS, BOAT LIFTS
 AND RIPRAP REVETMENT, REPAIR EXISTING
 BULKHEAD AND RECONFIGURE EXISTING
 BOAT RAMP.
 AT: ASHLEY RIVER AND HAMMOND AVE.
 COUNTY OF: CHARLESTON
 STATE: SOUTH CAROLINA

04/09/10
D:\k Recortfig Permit.DWG



CROSS SECTION H - H
SCALE: 1" = 5'



CROSS SECTION I - I
SCALE: 1" = 5'

FOR PERMITTING PURPOSES ONLY. NOT FOR CONSTRUCTION.



PURPOSE: ACCESS TO NAVIGABLE WATERS
 DATUM: MLW
 APPLICATION BY: THE CITADEL
 USACE #: N/A
 ADJACENT PROPERTY OWNERS: SEE ATTACHED
 DATE: 06/07/16

CROSS SECTION H - H
CROSS SECTION I - I
 THE CITADEL
 171 MOULTRIE STREET
 CHARLESTON, SC 29409

PROPOSED: REDEVELOP BOATING CENTER-
 INSTALL FLOATING DOCKS, BOAT LIFTS
 AND RIPRAP REVETMENT, REPAIR EXISTING
 BULKHEAD AND RECONFIGURE EXISTING
 BOAT RAMP.
 AT: ASHLEY RIVER AND HAMMOND AVE.
 COUNTY OF: CHARLESTON
 STATE: SOUTH CAROLINA

Project Description

Introduction

The Citadel (applicant) desires to redevelop their existing Boating Center and is applying jointly to the U.S. Corps of Engineers (USACE) and the South Carolina Department of Health and Environmental Control (SCDHEC) for authorization to perform improvements to the marina infrastructure. The boat basin at the existing facility has been silted in for many years and has been unusable. The once prominent sailing and rowing programs are no longer active, and it is not even possible to launch a boat at the facility and access the Ashley River. The Citadel desires to return the cadets to a "culture of water", and plans to redevelop the existing facility to meet the following objectives:

- Support planned collegiate sailing and rowing (crew) programs
- Integrate watersports (e.g. team rowing) into their leadership curriculum
- Provide storage and access for sailboats, rowing shells, kayaks, SUPs, canoes and small motorized vessels for use by the students and faculty

Specifically, authorization is requested to:

- Repair / replace the existing timber bulkhead
- Refurbish the existing riprap revetment
- Reconfigure the existing concrete boat ramp
- Remove the existing timber fixed docks
- Construct new timber fixed docks and gangways
- Install floating docks
- Install boat lifts

A permit was previously obtained to authorize the maintenance dredging of the boat basin (P/N 2014-00416-2G). The initial maintenance dredging was performed in the spring of 2016.

Purpose and Need

The purpose of the project is to make improvements to the existing Boating Center at the Citadel to accommodate collegiate watersports programs and to facilitate access to navigable waters for students and faculty.

Location

The Citadel Boating Center is located on the east bank of the Ashley River at 11 Hammond Avenue in the City of Charleston in Charleston County, South Carolina (Latitude 32.7978° N, Longitude 79.9644° W). The location is depicted on the attached Location Map (Sheet 1 of the Permit Drawings).

To get to the Citadel Boating Center from downtown Charleston, take Ashley Avenue north of US Hwy 17 (the "Crosstown") and turn left onto Moultrie Street. Follow Moultrie Street until it terminates at the main entrance to the Citadel campus. Once inside the gate, turn right onto the Avenue of Remembrance and then turn left on Jenkins Avenue. Follow Jenkins Avenue for 0.2 miles and turn right at the "T" onto Hammond Avenue. The Boating Center is on the immediate left.

Existing Conditions

The Citadel Boating Center is accessed from the Ashley River by an approximately 1,300 ft long channel. The boat basin measures approximately 220 ft x 350 ft and occupies an area of approximately 1.6 acres. Tidal marsh vegetation comprises the shorelines on the north and south sides of the basin. The shoreline on the east side to of the basin is approximately 465 ft long and is a mix of established vegetation, riprap revetment, and timber bulkhead. A concrete boat ramp and fixed timber dock are also present. Floating docks were recently removed to facilitate the current maintenance dredging project. As seen on Sheet 4 of the Permit Drawings, from north to south, the existing facility includes the following elements:

- Stormwater outfall with riprap scour protection
- One large live oak (37" dia.) with remnants of a riprap revetment
- A 12' x 74' concrete boat ramp
- Two large live oaks (35" and 28" dia.) with remnants of a riprap revetment
- 65 lf of timber bulkhead
- A 12' x 25' fixed timber dock
- 180 lf of timber bulkhead
- A 8' x 52' fixed timber dock
- A 12' long section of riprap revetment
- A 65' long section of shoreline stabilized by timber piles and riprap
- A 75' section shoreline with established vegetation and remnants of a riprap revetment
- Stormwater outfall with riprap scour protection

Project Dimensions and Impacts

The applicant proposes to make the following improvements to the facility:

- Refurbish 290 lf of existing riprap revetment
- Repair/replace 260 lf of existing timber bulkhead (the new bulkhead will be installed with 18" of the existing bulkhead)
- Remove the existing concrete boat ramp and construct a new 12' x 90' boat ramp at a different angle (the location where the ramp will cross the critical line will remain the same)
- Construct a 4' x 32' fixed dock and install a 3' x 40' gangway to access the boat ramp courtesy dock

- Construct a 10' x 50' fixed dock and install a 8' x 80' ADA-compliant gangway to access the main floating dock
- Install 10,492 sf of floating dock
 - 16' x 174' main dock
 - 16' x 90' low-freeboard rowing dock for crew and other paddle sports
 - Two (2) 32' x 76' floating docks to stage/store sailing fleets
 - An 8' x 63' floating dock with a 4' x 25' finger
 - An 8' x 100' floating courtesy dock to facilitate launching and retrieval of vessels at the boat ramp
 - Anchored with vertical piles
- Four (4) 4-pile, 7,000 lb capacity boat lifts

The applicant intends to perform the work in several phases, as budget allows and needs dictate.

The proposed improvements are illustrated and dimensioned on Sheets 6 – 13 of the Permit Drawings. The table below summarizes the impact quantities and associated materials for each element listed above.

Element	Area Impacts (sf)			Volume Impacts (cy)		
	Fill	Shading	Sand	Gravel	Rock	Concrete
Revetment	3,480		129	64	193	
Bulkhead	390		87		25	
Boat Ramp	720			13	45	13
Fixed Dock		500				
Total	4,590	500	216	78	263	13

The maintenance dredging is anticipated to increase the exposure of portions of the shoreline to tidal and wind-driven, wave-based erosion. The shading from the trees protruding from the escarpment has prevented the establishment of marsh vegetation along the shoreline. Accordingly, the refurbishment of the existing revetment is necessary to protect the existing grand trees and prevent future erosion.

Water Quality Impacts

The applicant proposes to deploy a turbidity curtain around the immediate work area during pile driving activities. With the deployment of the turbidity curtain, the impacts to water quality during construction will be minimal, temporary, and contained.

As the impacts are temporary and minimal, no mitigation is proposed.

Navigation Impacts

As construction will occur from barge-based equipment that will be deployed in the boat basin more than 1,300 ft from the Ashley River, there will be no impacts to navigation interests. The Contractor will be required; however, to inform the U.S. Coast Guard and other authorities of their construction plans.

A list of Adjacent Property Owners and their mailing addresses is provided as Exhibit B.

The completed and notarized Affidavit of Ownership or Control is provided as Exhibit C.

A statement the project is consistent with the SC Coastal Zone Management Program is provided as Exhibit D.

An Operations and Maintenance Manual is also included with this application.