

JOINT
PUBLIC NOTICE

CHARLESTON DISTRICT, CORPS OF ENGINEERS
69A Hagood Avenue
Charleston, South Carolina 29403-5107
and the
S.C. DEPARTMENT OF HEALTH AND ENVIRONMENTAL CONTROL
OFFICE OF OCEAN AND COASTAL RESOURCE MANAGEMENT
1362 McMillan Avenue, Suite 400
Charleston, South Carolina 29405

REGULATORY DIVISION

Refer to: P/N #SAC-2001-12403-1W (formerly 2000-1W-422)

3 MAY 2013

Pursuant to Section 10 of the Rivers and Harbors Act of 1899 (33 U.S.C. 403), Sections 401 and 404 of the Clean Water Act (33 U.S.C. 1344), and the South Carolina Coastal Zone Management Act (48-39-10 et.seq.) an application has been submitted to the Department of the Army and the S.C. Department of Health and Environmental Control by

HOMESTAKE REALTY COMPANY
c/o NEWKIRK ENVIRONMENTAL, INC.
POST OFFICE BOX 309
BLUFFTON, SOUTH CAROLINA 29910

for a permit to perform maintenance dredging within a man-made canal and boat basin area and to dispose of the material in an onsite disposal facility with outfall into the

COOSAW RIVER

at a location within Coosaw Point, formerly Laurel Hill Plantation, between Sam's Point Road and the Coosaw River on Lady's Island, Beaufort County, South Carolina (Latitude 32.49535°, Longitude -80.60857°)

In order to give all interested parties an opportunity to express their views

NOTICE

is hereby given that written statements regarding the proposed work will be received by the **Corps** until

15 Days from the Date of this Notice,

and **SCDHEC** will receive written statements regarding the proposed work until

30 Days from the Date of this Notice

from those interested in the activity and whose interests may be affected by the proposed work.

The proposed work consists of maintenance dredging within a 0.45 acre footprint that includes 1,208 linear feet of a man-made canal to remove 4,982.35 cubic yards of spoil material. The proposed work also includes maintenance dredging within 0.28 acres of a boat basin that is connected to the canal to remove 702.13 cubic yards of spoil material. All of the dredged material will be removed by hydraulic methods and pumped to an onsite designated confined disposal area. The material will be allowed to dewater at the disposal area that has an outfall structure that

REGULATORY DIVISION

Refer to: P/N #SAC-2001-12403-1W (formerly 2000-1W-422)

3 MAY 2013

runs from the disposal area to the back of the boat basin. Once the spoil material has dewatered, the material will be placed in dump trucks and hauled to an upland landfill site owned by Barnwell Resources, Inc. for disposal. This upland landfill site is located on Lady's Island. The purpose of the project is for maintenance dredging and disposal to maintain access to deep water for the residents of Coosaw Point Plantation.

Approval of this permit will give Federal authorization for maintenance dredging for a period of ten years from the date of issuance.

NOTE: Plans depicting the work described in this notice are available and will be provided, upon receipt of a written request, to anyone that is interested in obtaining a copy of the plans for the specific project. The request must identify the project of interest by public notice number and a self-addressed stamped envelope must also be provided for mailing the drawings to you. Your request for drawings should be addressed to the

**U.S. Army Corps of Engineers
ATTN: REGULATORY DIVISION
69A Hagood Avenue
Charleston, South Carolina 29403-5107.**

The District Engineer has concluded that the discharges associated with this project, both direct and indirect, should be reviewed by the South Carolina Department of Health and Environmental Control in accordance with provisions of Section 401 of the Clean Water Act. As such, this notice constitutes a request, on behalf of the applicant, for certification that this project will comply with applicable effluent limitations and water quality standards. The work shown on this application must also be certified as consistent with applicable provisions the Coastal Zone Management Program (15 CFR 930). The District Engineer will not process this application to a conclusion until such certifications are received. The applicant is hereby advised that supplemental information may be required by the State to facilitate the review.

This notice initiates the Essential Fish Habitat (EFH) consultation requirements of the Magnuson-Stevens Fishery Conservation and Management Act. Implementation of the proposed project would impact 0.73 acres of estuarine substrates and emergent wetlands utilized by various life stages of species comprising the red drum, shrimp, and snapper-grouper management complexes. Our initial determination is that the proposed action would not have a substantial individual or cumulative adverse impact on EFH or fisheries managed by the South Atlantic Fishery Management Council and the National Marine Fisheries Service (NMFS). Our final determination relative to project impacts and the need for mitigation measures is subject to review by and coordination with the NMFS.

Pursuant to Section 7(c) of the Endangered Species Act of 1973 (as amended), the applicant has provided a protected species survey for the property associated with the activity described above. Based upon this report, the District Engineer has determined that the project is not likely to adversely affect any Federally endangered, threatened, or proposed species or result in the destruction or adverse modification of designated or proposed critical habitat. This public notice serves as a request for written concurrence from the U.S. Fish and Wildlife Service and/or the National Marine Fisheries Service on this determination.

Pursuant to Section 106 of the National Historic Preservation Act (NHPA), this public notice also constitutes a request to Indian Tribes to notify the District Engineer of any historic

properties of religious and cultural significance to them that may be affected by the proposed undertaking.

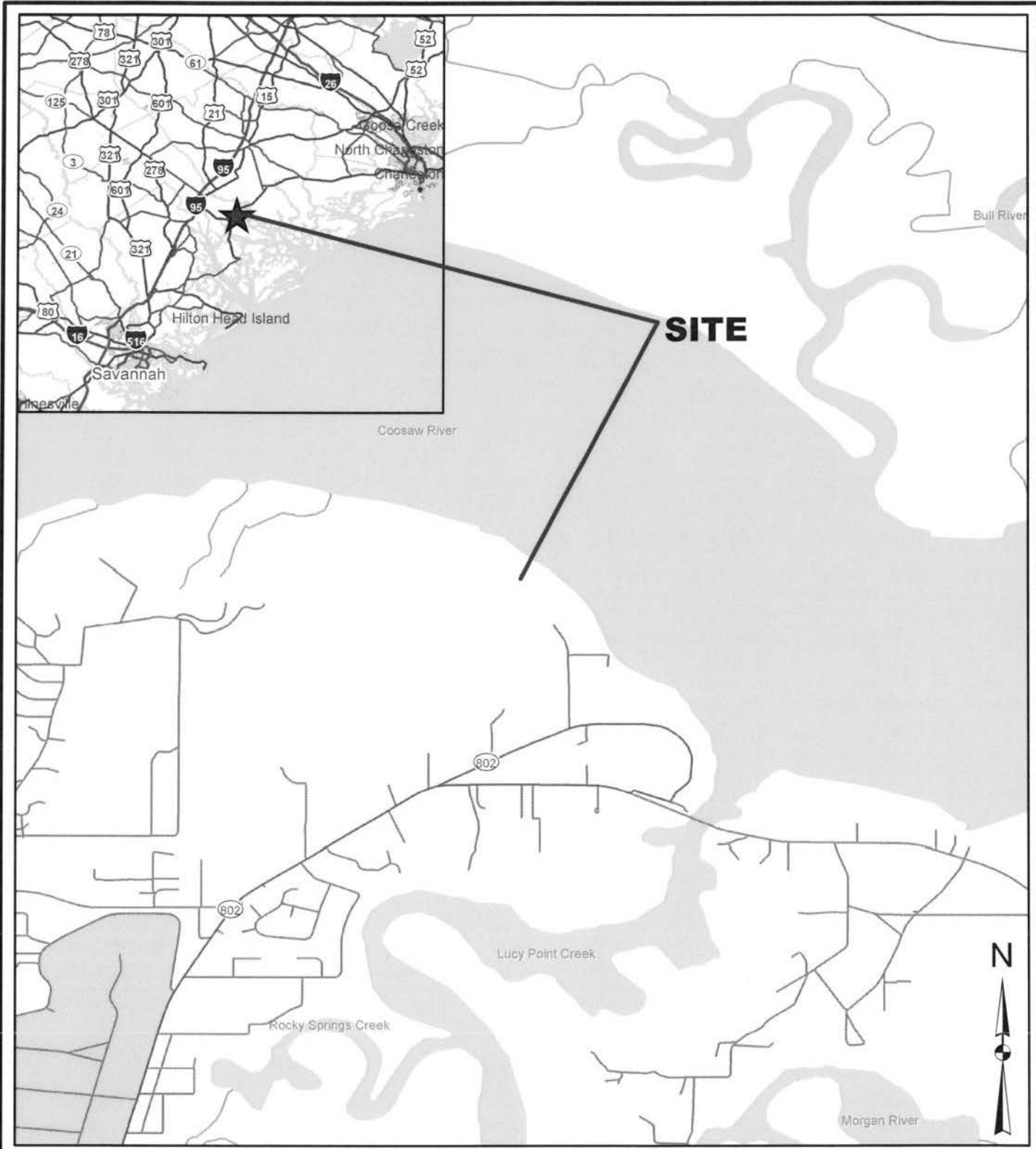
In accordance with the NHPA, the District Engineer has also consulted the latest published version of the National Register of Historic Places for the presence or absence of registered properties, or properties listed as being eligible for inclusion therein, and this worksite is not included as a registered property or property listed as being eligible for inclusion in the Register. To insure that other cultural resources that the District Engineer is not aware of are not overlooked, this public notice also serves as a request to the State Historic Preservation Office to provide any information it may have with regard to historic and cultural resources.

Any person may request, in writing, within the comment period specified in this notice, that a public hearing be held to consider this application. Requests for a public hearing shall state, with particularity, the reasons for holding a public hearing.

The decision whether to issue a permit will be based on an evaluation of the probable impact including cumulative impacts of the activity on the public interest and will include application of the guidelines promulgated by the Administrator, Environmental Protection Agency (EPA), under authority of Section 404(b) of the Clean Water Act and, as appropriate, the criteria established under authority of Section 102 of the Marine Protection, Research and Sanctuaries Act of 1972, as amended. That decision will reflect the national concern for both protection and utilization of important resources. The benefit which reasonably may be expected to accrue from the project must be balanced against its reasonably foreseeable detriments. All factors which may be relevant to the project will be considered including the cumulative effects thereof; among those are conservation, economics, aesthetics, general environmental concerns, wetlands, historic properties, fish and wildlife values, flood hazards, flood plain values, land use, navigation, shoreline erosion and accretion, recreation, water supply and conservation, water quality, energy needs, safety, food and fiber production and, in general, the needs and welfare of the people. A permit will be granted unless the District Engineer determines that it would be contrary to the public interest. In cases of conflicting property rights, the Corps of Engineers cannot undertake to adjudicate rival claims.

The Corps of Engineers is soliciting comments from the public; Federal, state, and local agencies and officials; Indian Tribes; and other interested parties in order to consider and evaluate the impacts of this activity. Any comments received will be considered by the Corps of Engineers to determine whether to issue, modify, condition or deny a permit for this project. To make this decision, comments are used to assess impacts on endangered species, historic properties, water quality, general environmental effects, and the other public interest factors listed above. Comments are used in the preparation of an Environmental Assessment and/or an Environmental Impact Statement pursuant to the National Environmental Policy Act. Comments are also used to determine the need for a public hearing and to determine the overall public interest of the activity.

If there are any questions concerning this public notice, please contact **Debbie King** at 843-329-8044 or toll free at 1-866-329-8187.



SITE

COOSAW POINT- MAINTENANCE DREDGING

DATE: 1/16/2013

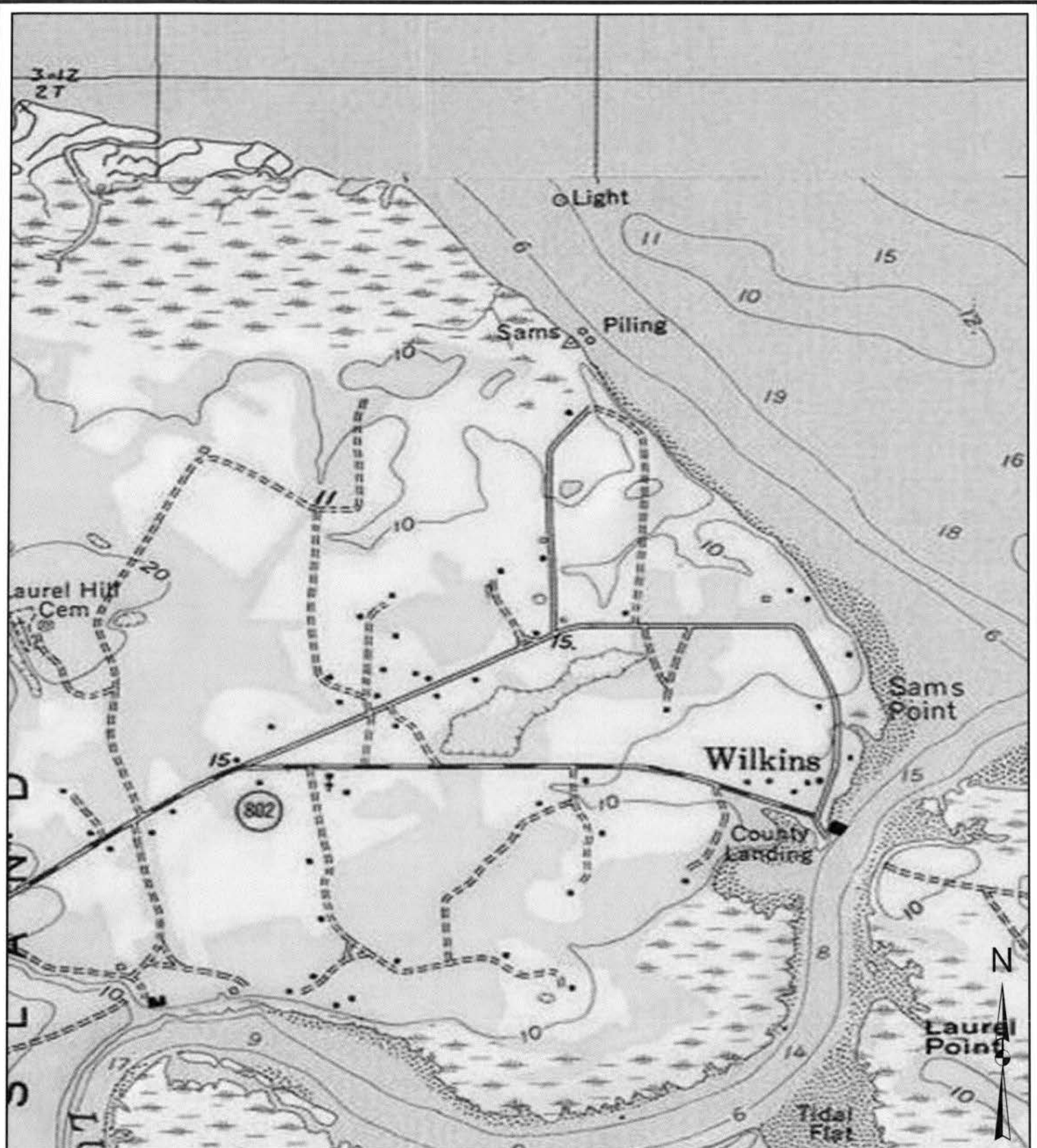
SHEET 1 of 23

P/N #SAC-2001-12403-1W (formerly 2000-1W-422)

PROPOSED ACTIVITY
MAINTENANCE DREDGING

COUNTY OF: BEAUFORT
STATE: SOUTH CAROLINA

APPLICANT:
THE HOMESTAKE REALTY
COMPANY OF SOUTH CAROLINA



COOSAW POINT- MAINTENANCE DREDGING

DATE: 1/16/2013

SHEET 2 of 23

-80.606211
32.493138 Decimal Degrees

P/N #SAC-2001-12403-1W (formerly 2000-1W-422)

PROPOSED ACTIVITY
 MAINTENANCE DREDGING

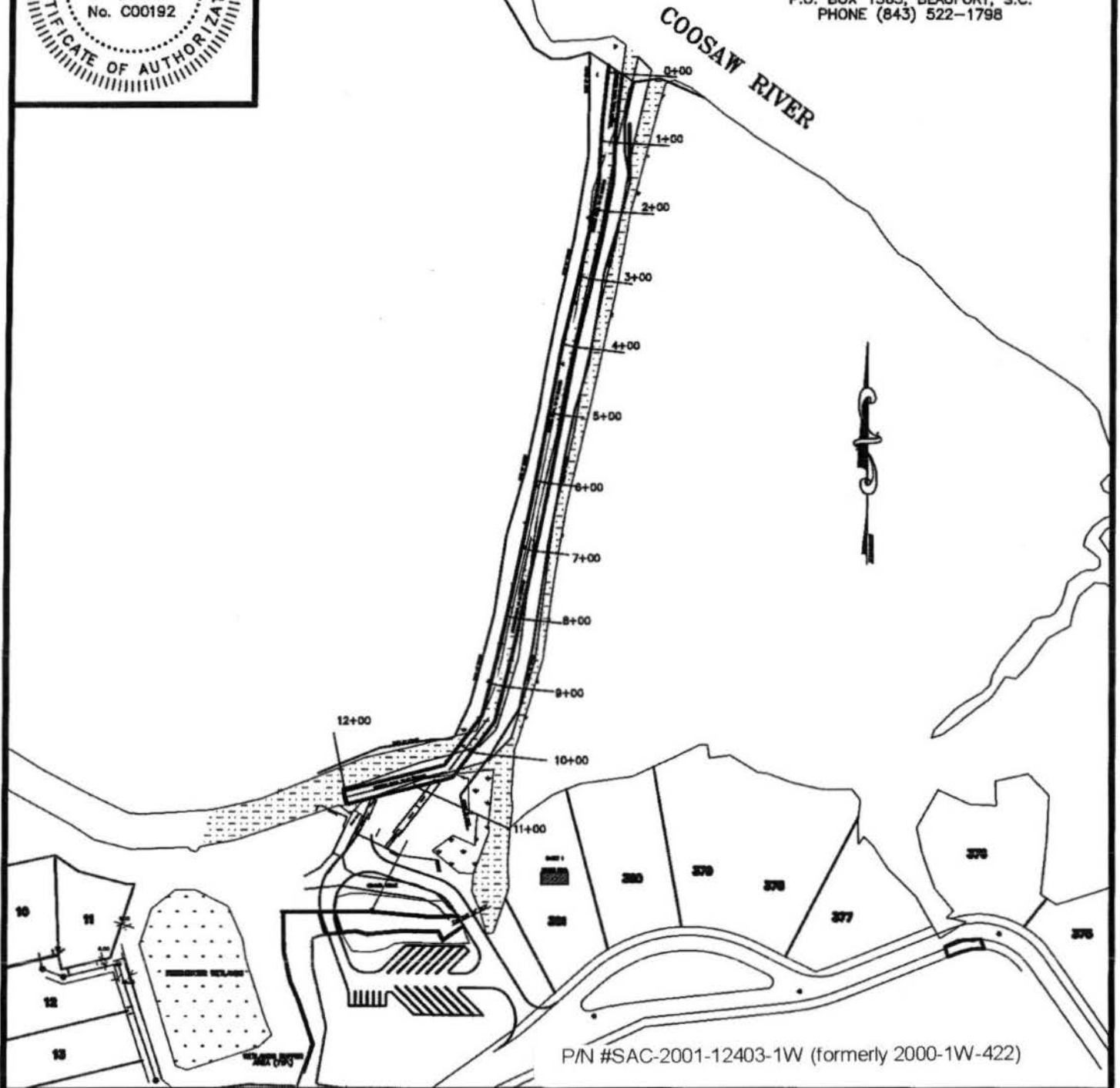
COUNTY OF: BEAUFORT
 STATE: SOUTH CAROLINA

APPLICANT:
 THE HOMESTAKE REALTY
 COMPANY OF SOUTH CAROLINA



**GASQUE & ASSOCIATES INC.
LAND SURVEYORS & PLANNERS**

28 PROFESSIONAL VILLAGE CIRCLE, BEAUFORT, S.C.
P.O. BOX 1363, BEAUFORT, S.C.
PHONE (843) 522-1798



COOSAW POINT- MAINTENANCE DREDGING

DATE: 1/16/2013

SHEET 3 of 23

SCALE
1' = 200'

SURVEYOR SIGNED HEREON IS CHARGED WITH SURVEY MATTERS AND THE PHYSICAL DRAWING ON A COMPUTER DRAFTING SYSTEM ONLY. THIS IS NOT A DESIGN OR INTENDED TO BE ONE. ALL DEPICTIONS THAT ARE NOT SURVEY MATTERS IS PROVIDED BY OTHERS.

PROPOSED ACTIVITY
MAINTENANCE DREDGING

COUNTY OF: BEAUFORT
STATE: SOUTH CAROLINA

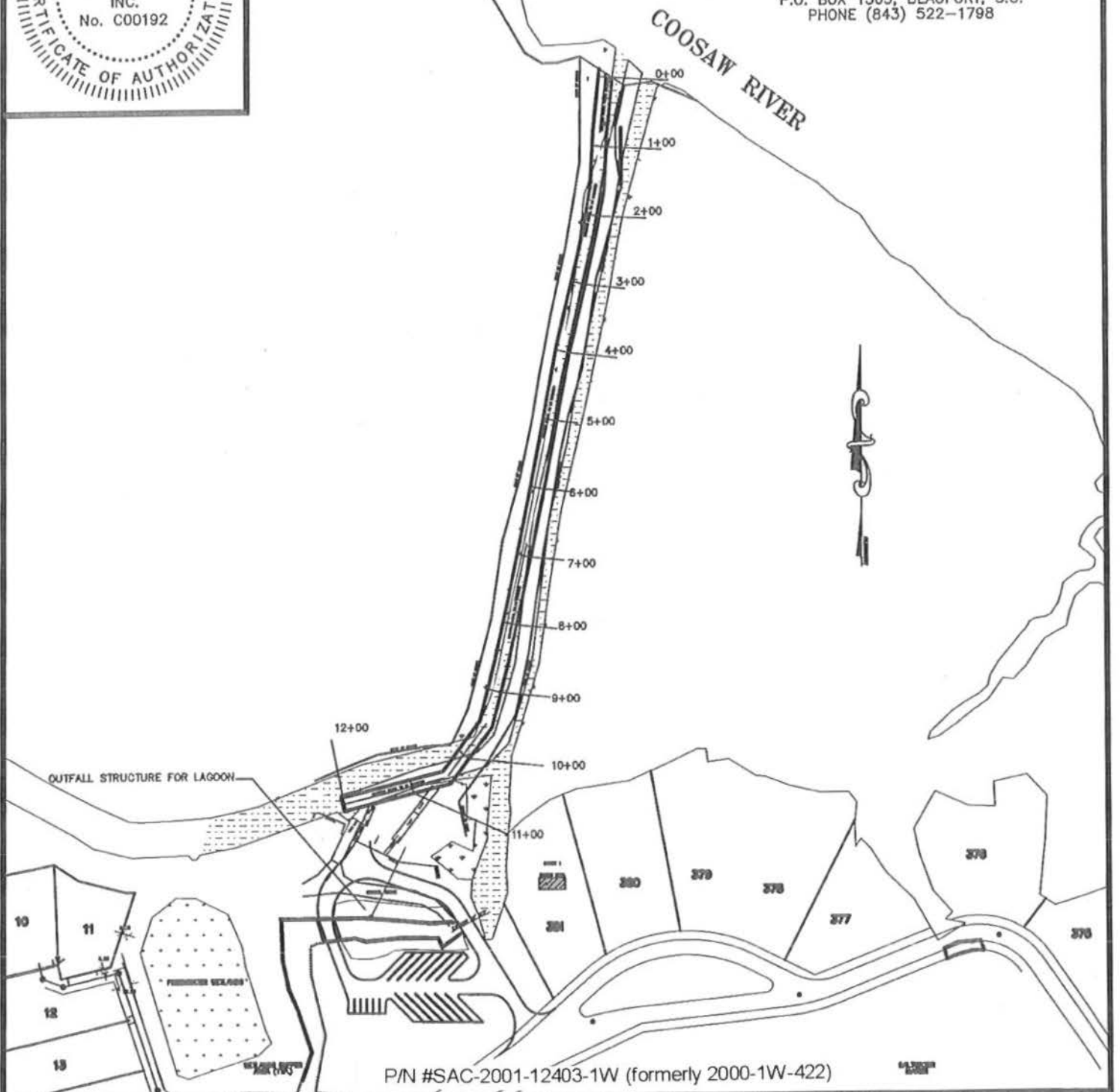
APPLICANT:
THE HOMESTAKE. REALTY COMPANY
OF SOUTH CAROLINA

JOB# 39406 DSGN 7 DATE: 1/16/2013



GASQUE & ASSOCIATES INC.
LAND SURVEYORS & PLANNERS

28 PROFESSIONAL VILLAGE CIRCLE, BEAUFORT, S.C.
P.O. BOX 1363, BEAUFORT, S.C.
PHONE (843) 522-1798



P/N #SAC-2001-12403-1W (formerly 2000-1W-422)

COOSAW POINT- MAINTENANCE DREDGING

DATE: 1/16/2013 revised 4/19/2013

SHEET 3A of 23

EXHIBIT A

SCALE
1"=200'

SURVEYOR SIGNED HEREON IS CHARGED WITH SURVEY MATTERS AND THE PHYSICAL DRAWING ON A COMPUTER DRAFTING SYSTEM ONLY. THIS IS NOT A DESIGN OR INTENDED TO BE ONE. ALL DEPICTIONS THAT ARE NOT SURVEY MATTERS IS PROVIDED BY OTHERS.

PROPOSED ACTIVITY
MAINTENANCE DREDGING

COUNTY OF: BEAUFORT
STATE: SOUTH CAROLINA

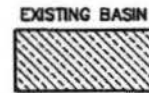
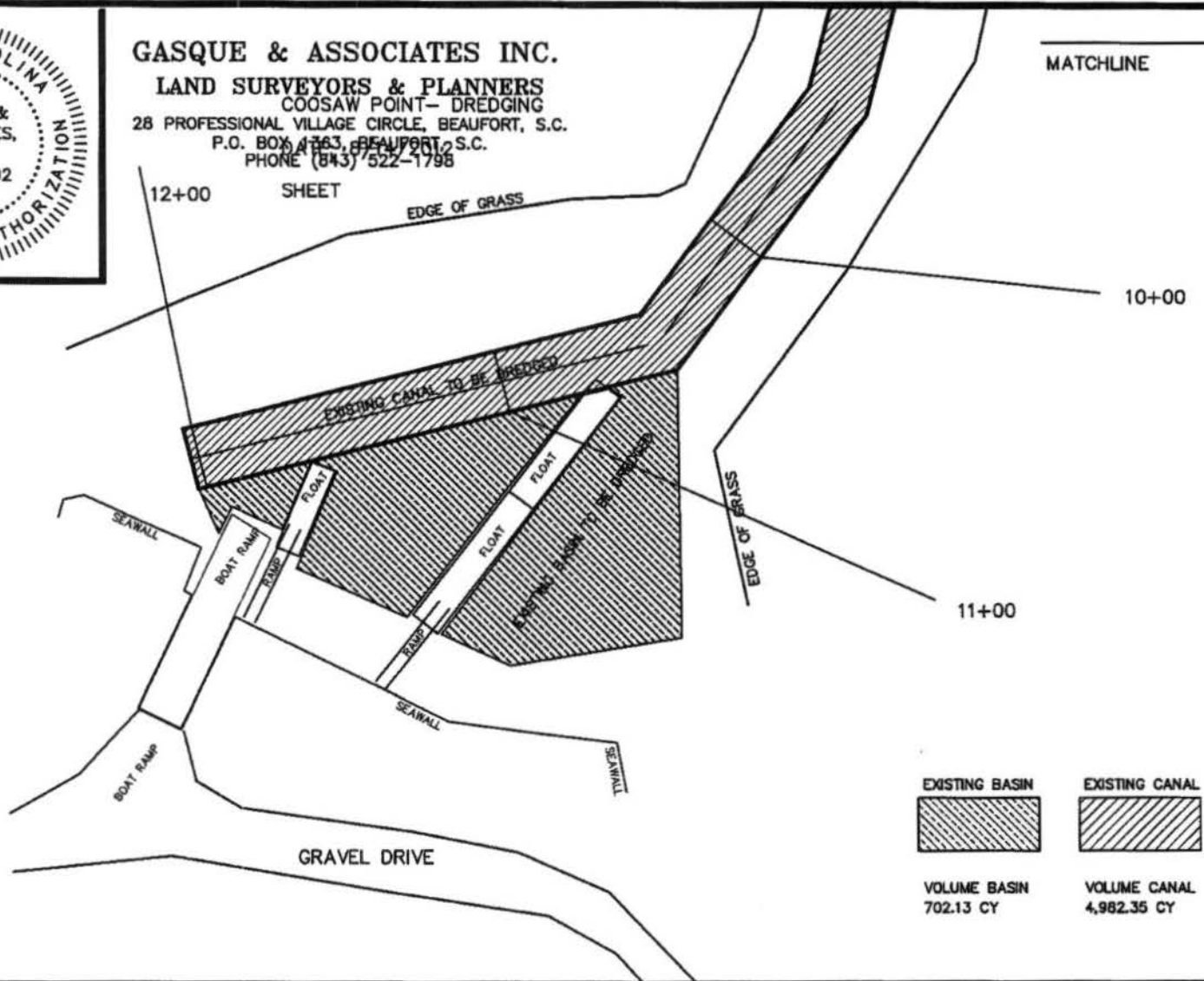
APPLICANT;
THE HOMESTAKE. REALTY COMPANY
OF SOUTH CAROLINA

JOB# 39406 DSGN 7 DATE: 1/16/2013

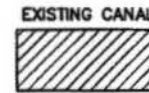


GASQUE & ASSOCIATES INC.
LAND SURVEYORS & PLANNERS
 COOSAW POINT- DREDGING
 28 PROFESSIONAL VILLAGE CIRCLE, BEAUFORT, S.C.
 P.O. BOX 1763, BEAUFORT, S.C.
 PHONE (843) 522-1798

MATCHLINE



EXISTING BASIN
 VOLUME BASIN
 702.13 CY

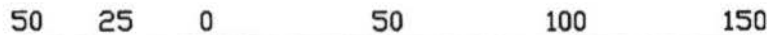


EXISTING CANAL
 VOLUME CANAL
 4,982.35 CY

COOSAW POINT- MAINTENANCE DREDGING

P/N #SAC-2001-12403-1W (formerly 2000-1W-422)

DATE: 1/16/2013
 SHEET 4 of 23



SCALE IN FEET

DATUM IS 1929 NGVD

PROPOSED ACTIVITY
 MAINTENANCE DREDGING

COUNTY OF: BEAUFORT
 STATE: SOUTH CAROLINA

APPLICANT:
 THE HOMESTAKE. REALTY COMPANY
 OF SOUTH CAROLINA

SURVEYOR SIGNED HEREON IS CHARGED WITH SURVEY MATTERS AND THE PHYSICAL DRAWING ON A COMPUTER DRAFTING SYSTEM ONLY. THIS IS NOT A DESIGN OR INTENDED TO BE ONE. ALL DEPICTIONS THAT ARE NOT SURVEY MATTERS IS PROVIDED BY OTHERS.

JOB# 39406 DSGN 7

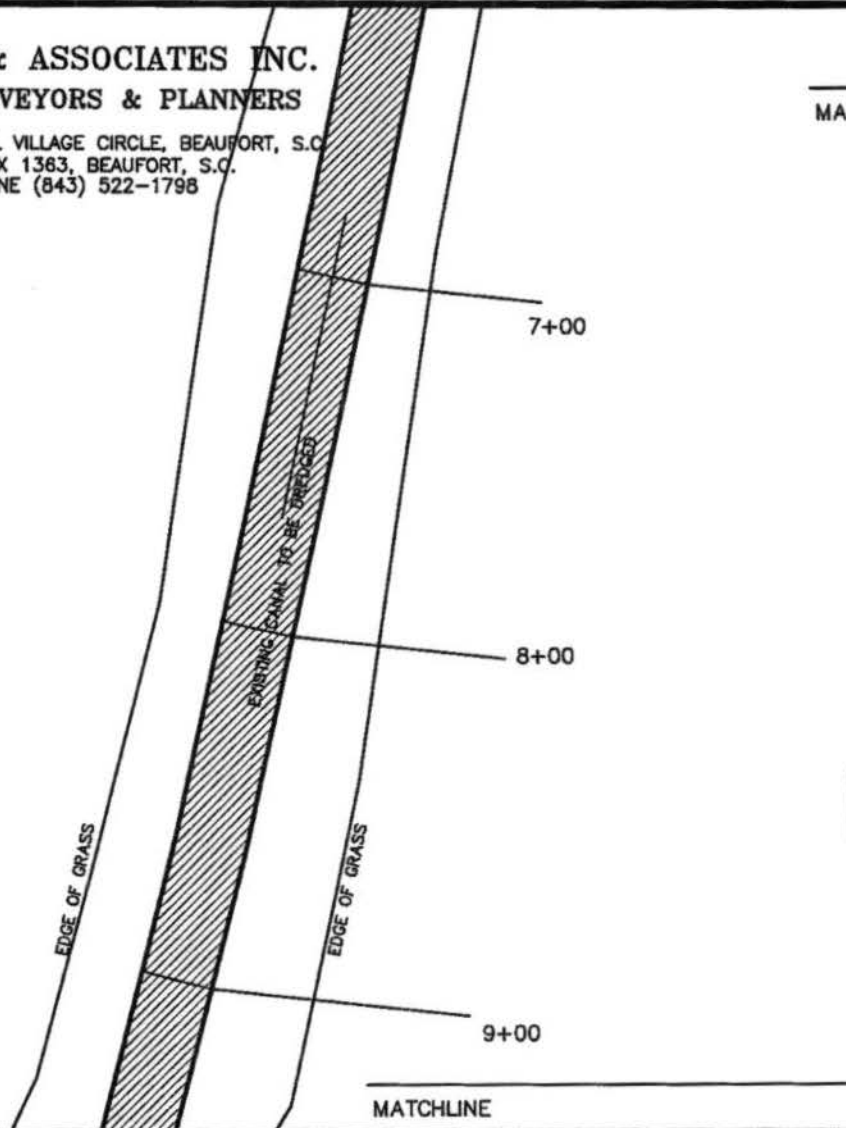
DATE: 1/16/2013



**GASQUE & ASSOCIATES INC.
LAND SURVEYORS & PLANNERS**

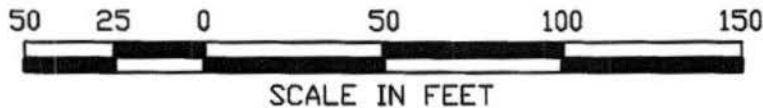
28 PROFESSIONAL VILLAGE CIRCLE, BEAUFORT, S.C.
P.O. BOX 1363, BEAUFORT, S.C.
PHONE (843) 522-1798

MATCHLINE



COOSAW POINT- MAINTENANCE DREDGING

DATE: 1/16/2013
SHEET 5 of 23



SCALE IN FEET

P/N #SAC-2001-12403-1W (formerly 2000-1W-422)

DATUM IS 1929 NGVD

SURVEYOR SIGNED HEREON IS CHARGED WITH SURVEY MATTERS AND THE PHYSICAL DRAWING ON A COMPUTER DRAFTING SYSTEM ONLY. THIS IS NOT A DESIGN OR INTENDED TO BE ONE. ALL DEPICTIONS THAT ARE NOT SURVEY MATTERS IS PROVIDED BY OTHERS.

PROPOSED ACTIVITY
MAINTENANCE DREDGING

COUNTY OF: BEAUFORT
STATE: SOUTH CAROLINA

APPLICANT;
THE HOMESTAKE, REALTY COMPANY
OF SOUTH CAROLINA

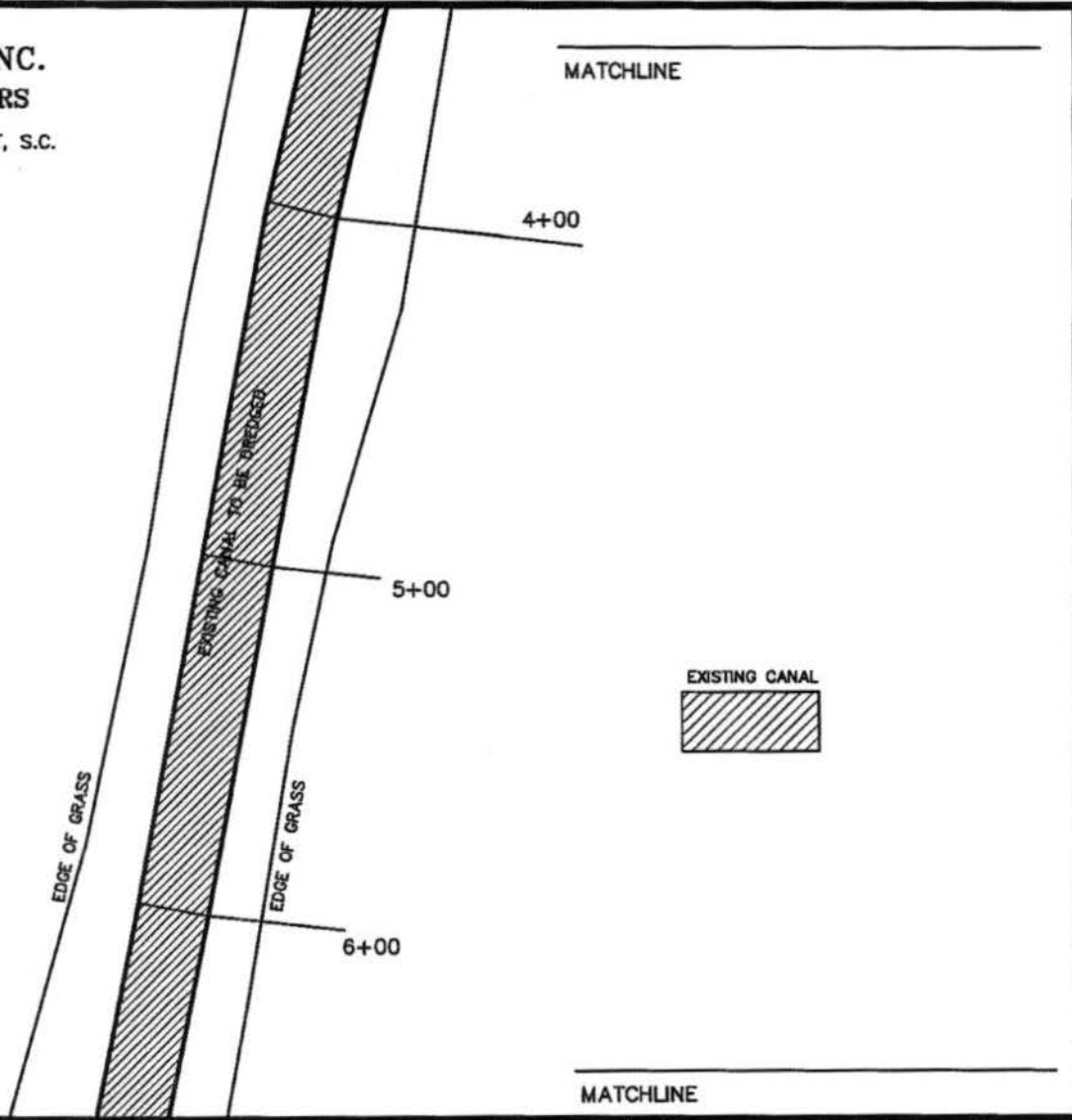
JOB# 39406 DSGN 7

DATE: 1/16/2013



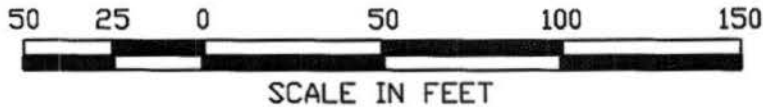
**GASQUE & ASSOCIATES INC.
LAND SURVEYORS & PLANNERS**

28 PROFESSIONAL VILLAGE CIRCLE, BEAUFORT, S.C.
P.O. BOX 1363, BEAUFORT, S.C.
PHONE (843) 522-1798



COOSAW POINT- MAINTENANCE DREDGING

DATE: 1/16/2013
SHEET 6 of 23



P/N #SAC-2001-12403-1W (formerly 2000-1W-422)

DATUM IS 1929 NGVD

SURVEYOR SIGNED HEREON IS CHARGED WITH SURVEY MATTERS AND THE PHYSICAL DRAWING ON A COMPUTER DRAFTING SYSTEM ONLY. THIS IS NOT A DESIGN OR INTENDED TO BE ONE. ALL DEPICTIONS THAT ARE NOT SURVEY MATTERS IS PROVIDED BY OTHERS.

PROPOSED ACTIVITY
MAINTENANCE DREDGING

COUNTY OF: BEAUFORT
STATE: SOUTH CAROLINA

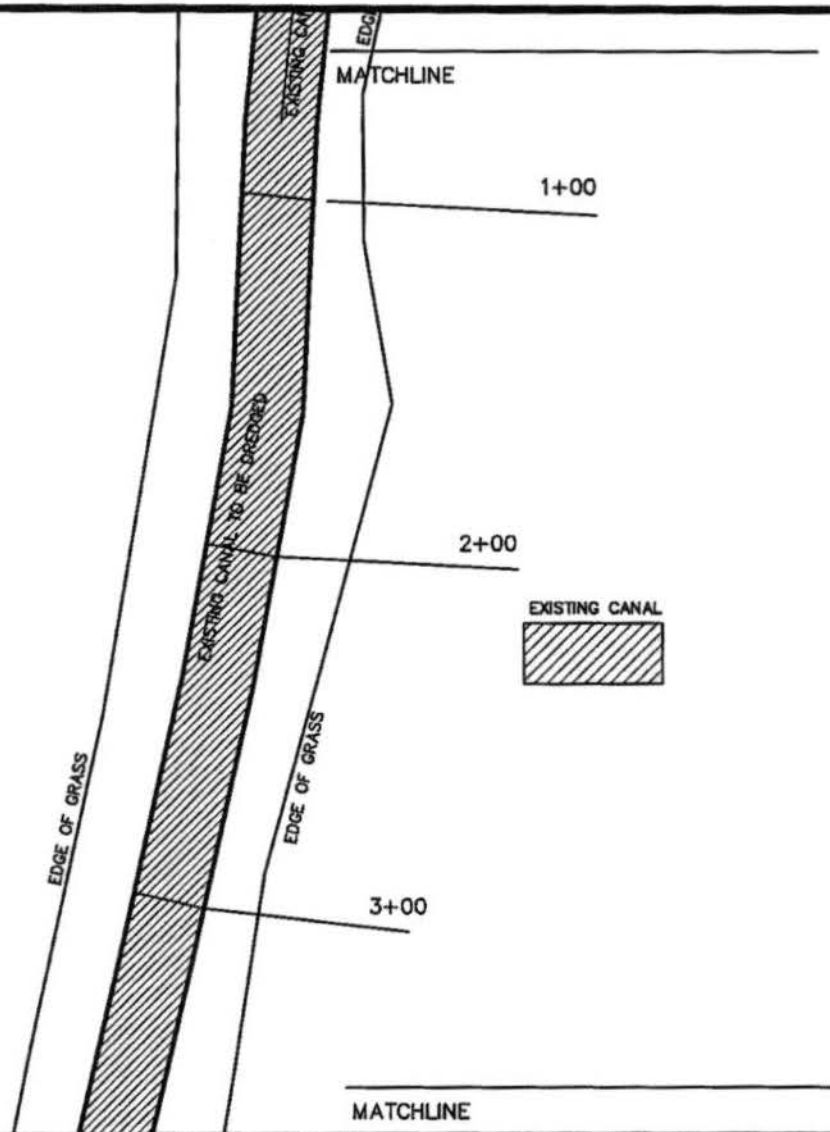
APPLICANT;
THE HOMESTAKE. REALTY COMPANY
OF SOUTH CAROLINA

JOB# 39406 DSGN 7 DATE: 1/16/2013



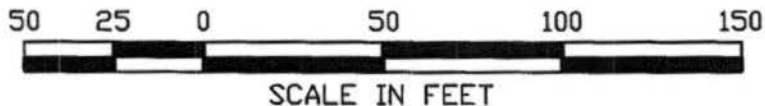
GASQUE & ASSOCIATES INC.
LAND SURVEYORS & PLANNERS

28 PROFESSIONAL VILLAGE CIRCLE, BEAUFORT, S.C.
 P.O. BOX 1363, BEAUFORT, S.C.
 PHONE (843) 522-1798



COOSAW POINT- MAINTENANCE DREDGING

DATE: 1/16/2013
 SHEET 7823



P/N #SAC-2001-12403-1W (formerly 2000-1W-422)

DATUM IS 1929 NGVD

SURVEYOR SIGNED HEREON IS CHARGED WITH SURVEY MATTERS AND THE PHYSICAL DRAWING ON A COMPUTER DRAFTING SYSTEM ONLY. THIS IS NOT A DESIGN OR INTENDED TO BE ONE. ALL DEPICTIONS THAT ARE NOT SURVEY MATTERS IS PROVIDED BY OTHERS.

PROPOSED ACTIVITY
 MAINTENANCE DREDGING

COUNTY OF: BEAUFORT
 STATE: SOUTH CAROLINA

APPLICANT:
 THE HOMESTAKE. REALTY COMPANY
 OF SOUTH CAROLINA

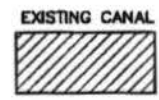
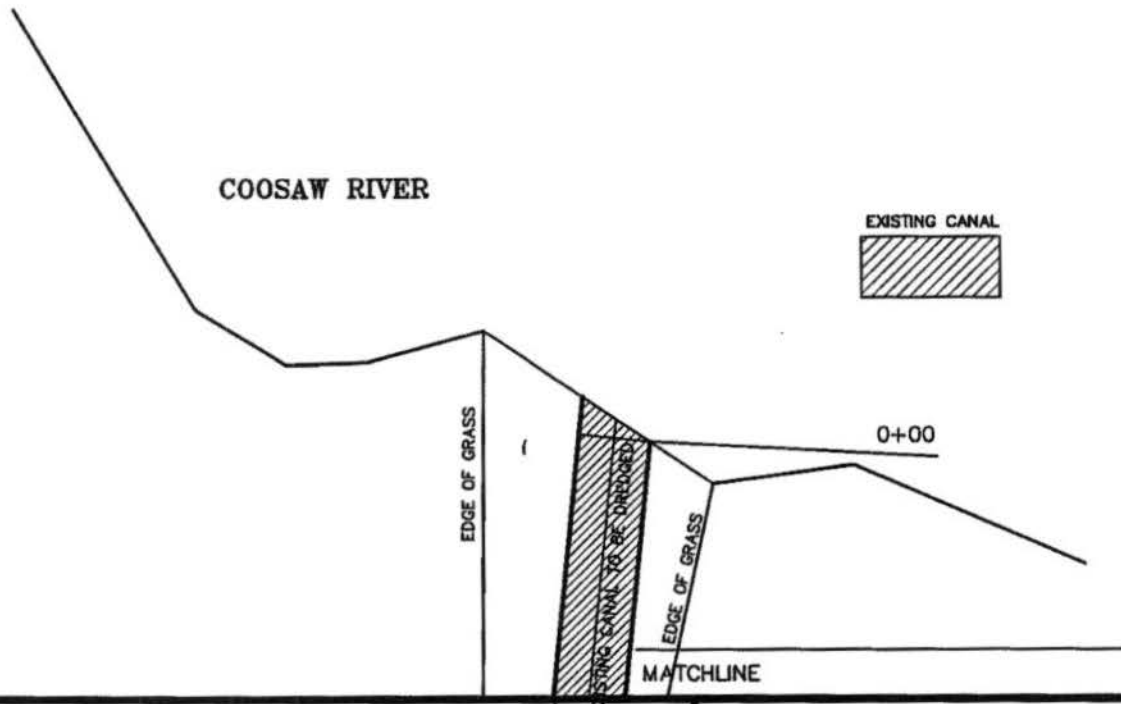
JOB# 39406 DSGN 7

DATE: 1/16/2013



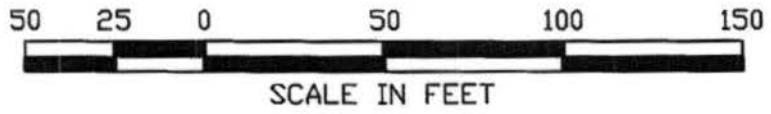
GASQUE & ASSOCIATES INC.
LAND SURVEYORS & PLANNERS

28 PROFESSIONAL VILLAGE CIRCLE, BEAUFORT, S.C.
 P.O. BOX 1363, BEAUFORT, S.C.
 PHONE (843) 522-1798



COOSAW POINT- MAINTENANCE DREDGING

DATE: 1/16/2013
 SHEET 8 of 23



SCALE IN FEET

PROPOSED ACTIVITY
 MAINTENANCE DREDGING

COUNTY OF: BEAUFORT
 STATE: SOUTH CAROLINA

APPLICANT;
 THE HOMESTAKE REALTY COMPANY
 OF SOUTH CAROLINA

JOB# 39406 DSGN 7 DATE: 1/16/2013

P/N #SAC-2001-12403-1W (formerly 2000-1W-422)

DATUM IS 1929 NGVD

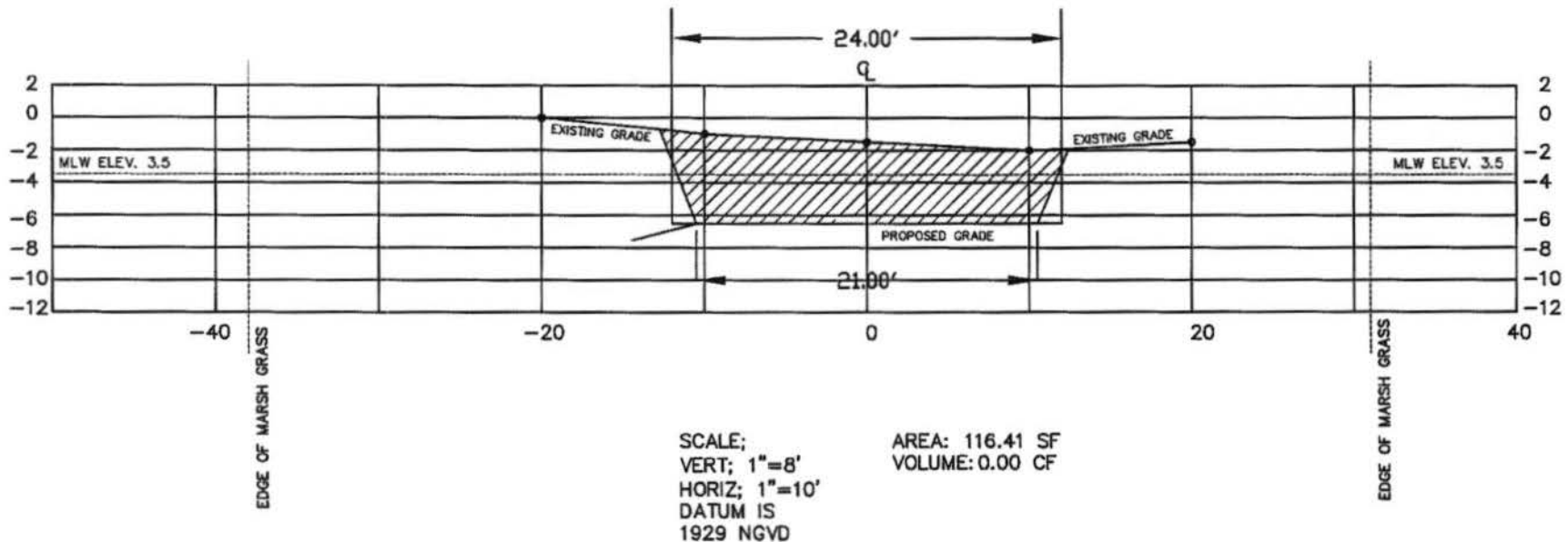
SURVEYOR SIGNED HEREON IS CHARGED WITH SURVEY MATTERS AND THE PHYSICAL DRAWING ON A COMPUTER DRAFTING SYSTEM ONLY. THIS IS NOT A DESIGN OR INTENDED TO BE ONE. ALL DEPICTIONS THAT ARE NOT SURVEY MATTERS IS PROVIDED BY OTHERS.



GASQUE & ASSOCIATES INC.
LAND SURVEYORS & PLANNERS

28 PROFESSIONAL VILLAGE CIRCLE, BEAUFORT, S.C.
 P.O. BOX 1363, BEAUFORT, S.C.
 PHONE (843) 522-1798

0+00



COOSAW POINT- MAINTENANCE DREDGING

DATE: 1/16/2013

SHEET 9 of 23

P/N #SAC-2001-12403-1W (formerly 2000-1W-422)

PROPOSED ACTIVITY
 MAINTENANCE DREDGING

COUNTY OF: BEAUFORT
 STATE: SOUTH CAROLINA

APPLICANT;
 THE HOMESTAKE. REALTY COMPANY
 OF SOUTH CAROLINA

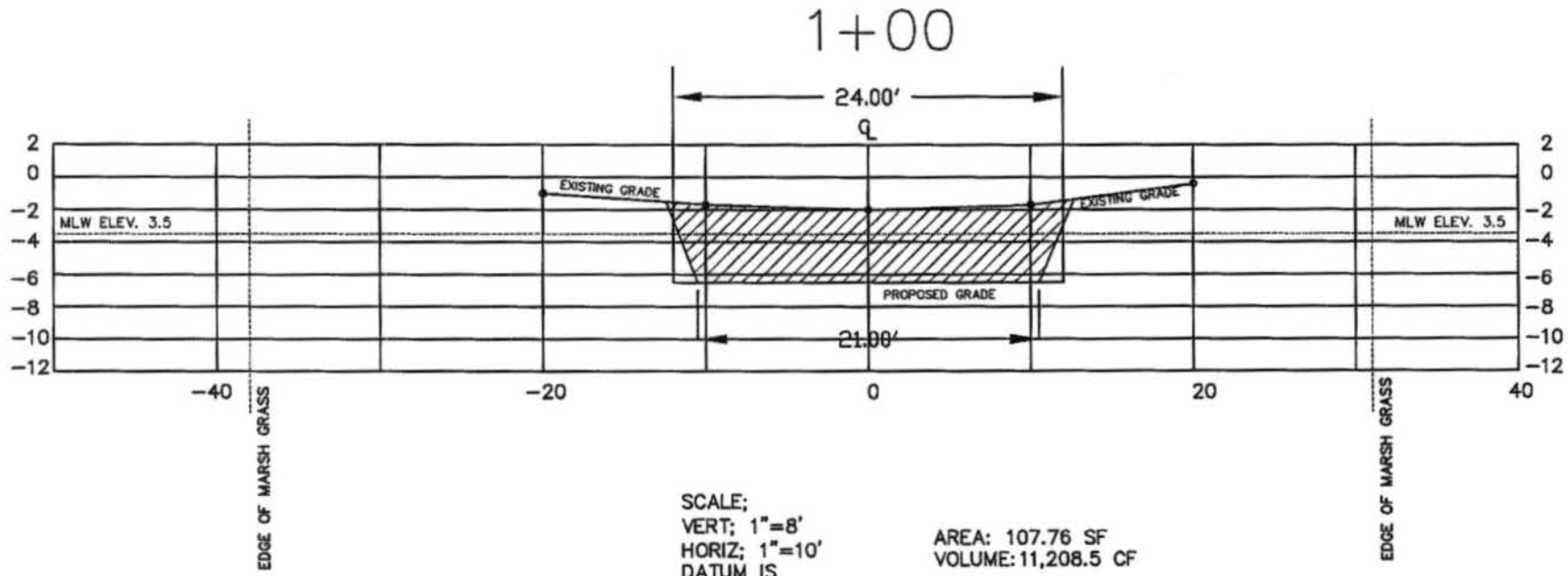
SURVEYOR SIGNED HEREON IS CHARGED WITH SURVEY MATTERS AND THE PHYSICAL DRAWING ON A COMPUTER DRAFTING SYSTEM ONLY. THIS IS NOT A DESIGN OR INTENDED TO BE ONE. ALL DEPICTIONS THAT ARE NOT SURVEY MATTERS IS PROVIDED BY OTHERS.

JOB# 39406 DSGN 7 DATE: 1/16/2013



GASQUE & ASSOCIATES INC.
LAND SURVEYORS & PLANNERS

28 PROFESSIONAL VILLAGE CIRCLE, BEAUFORT, S.C.
 P.O. BOX 1363, BEAUFORT, S.C.
 PHONE (843) 522-1798



SCALE;
 VERT; 1"=8'
 HORIZ; 1"=10'
 DATUM IS
 1929 NGVD

AREA: 107.76 SF
 VOLUME: 11,208.5 CF

COOSAW POINT- MAINTENANCE DREDGING

DATE; 1/16/2013

SHEET 10 of 23

P/N #SAC-2001-12403-1W (formerly 2000-1W-422)

PROPOSED ACTIVITY
 MAINTENANCE DREDGING

COUNTY OF: BEAUFORT
 STATE: SOUTH CAROLINA

APPLICANT;
 THE HOMESTAKE. REALTY COMPANY
 OF SOUTH CAROLINA

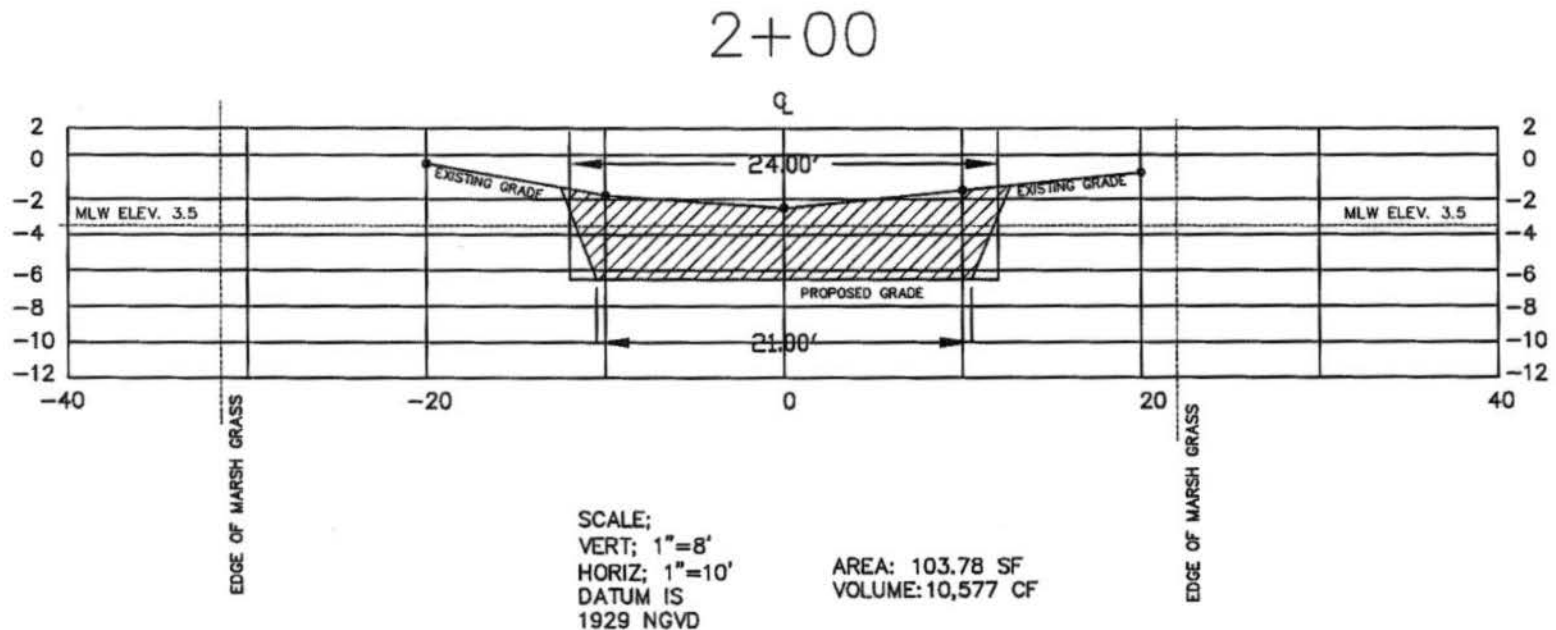
SURVEYOR SIGNED HEREON IS CHARGED WITH SURVEY MATTERS AND THE PHYSICAL DRAWING ON A COMPUTER DRAFTING SYSTEM ONLY. THIS IS NOT A DESIGN OR INTENDED TO BE ONE. ALL DEPICTIONS THAT ARE NOT SURVEY MATTERS IS PROVIDED BY OTHERS.

JOB# 39406 DSGN 7 DATE: 1/16/2013



GASQUE & ASSOCIATES INC.
LAND SURVEYORS & PLANNERS

28 PROFESSIONAL VILLAGE CIRCLE, BEAUFORT, S.C.
 P.O. BOX 1363, BEAUFORT, S.C.
 PHONE (843) 522-1798



COOSAW POINT- MAINTENANCE DREDGING

DATE: 1/16/2013

SHEET 11 of 23

P/N #SAC-2001-12403-1W (formerly 2000-1W-422)

PROPOSED ACTIVITY
 MAINTENANCE DREDGING

COUNTY OF: BEAUFORT
 STATE: SOUTH CAROLINA

APPLICANT:
 THE HOMESTAKE REALTY COMPANY
 OF SOUTH CAROLINA

SURVEYOR SIGNED HEREON IS CHARGED WITH SURVEY MATTERS AND THE PHYSICAL DRAWING ON A COMPUTER DRAFTING SYSTEM ONLY. THIS IS NOT A DESIGN OR INTENDED TO BE ONE. ALL DEPICTIONS THAT ARE NOT SURVEY MATTERS IS PROVIDED BY OTHERS.

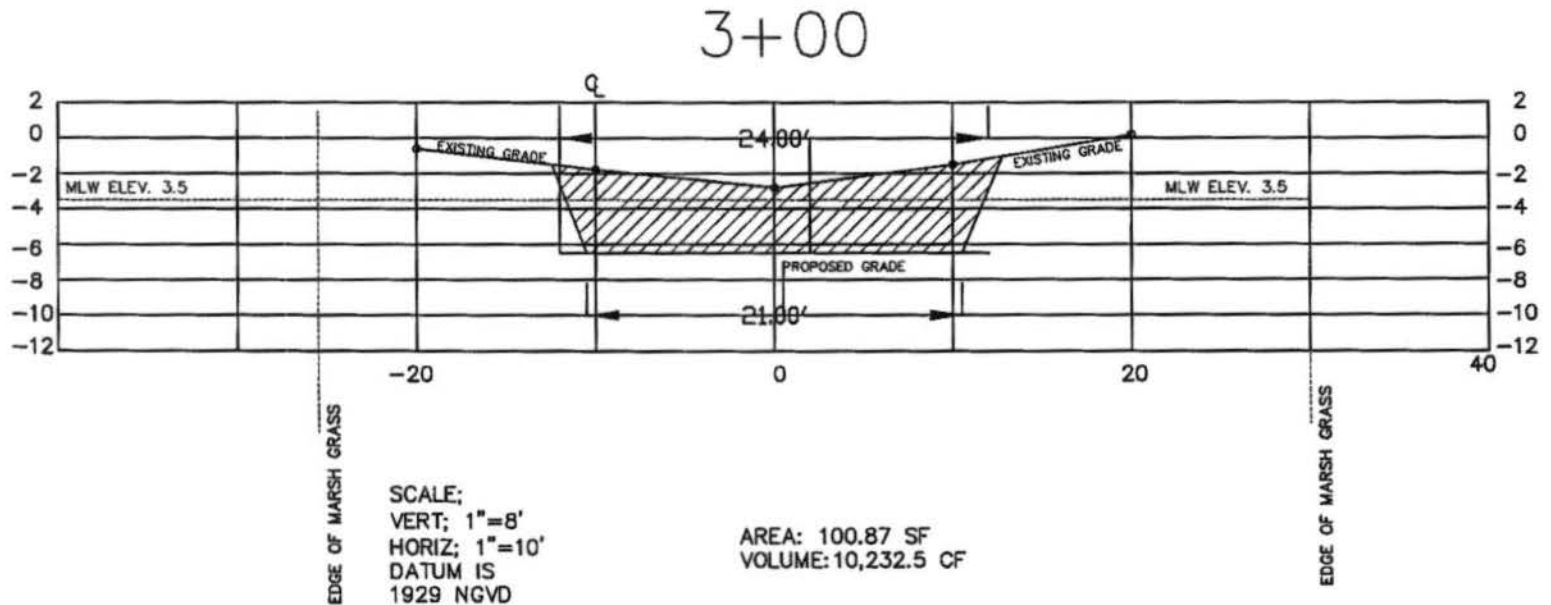
JOB# 39406 DSGN 7

DATE: 1/16/2013



**GASQUE & ASSOCIATES INC.
LAND SURVEYORS & PLANNERS**

28 PROFESSIONAL VILLAGE CIRCLE, BEAUFORT, S.C.
P.O. BOX 1363, BEAUFORT, S.C.
PHONE (843) 522-1798



COOSAW POINT- MAINTENANCE DREDGING

DATE; 1/16/2013

SHEET 12 of 23

P/N #SAC-2001-12403-1W (formerly 2000-1W-422)

PROPOSED ACTIVITY
MAINTENANCE DREDGING

COUNTY OF: BEAUFORT
STATE: SOUTH CAROLINA

APPLICANT;
THE HOMESTAKE. REALTY COMPANY
OF SOUTH CAROLINA

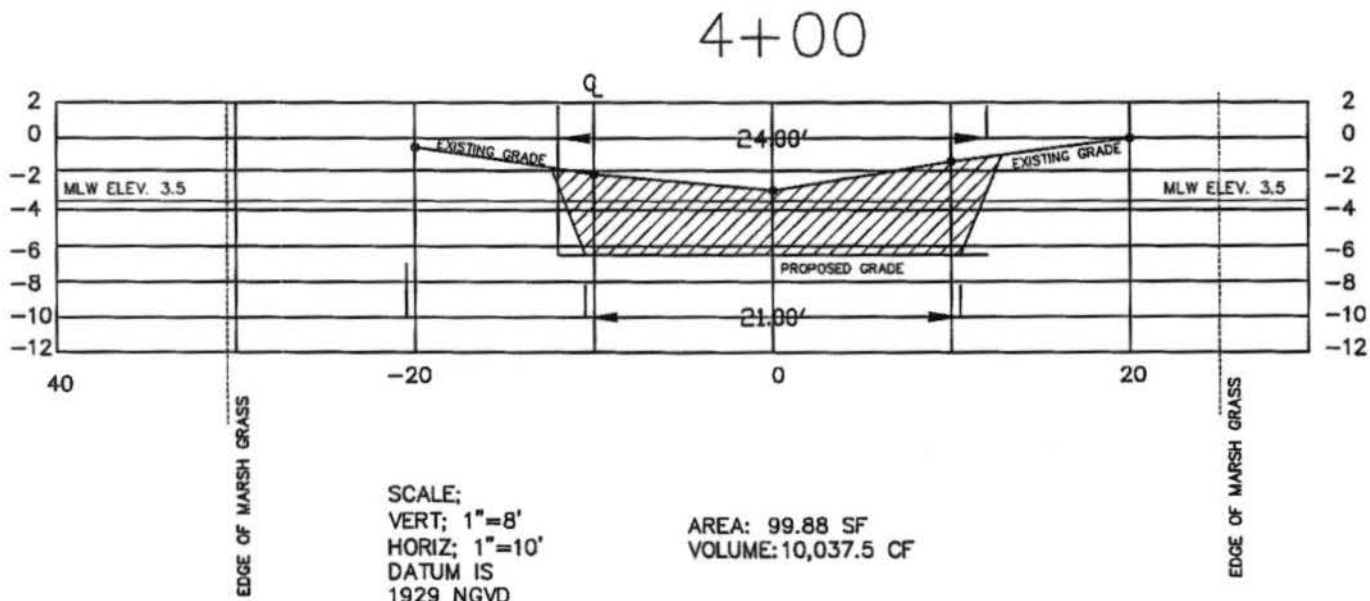
JOB# 39406 DSGN 7 DATE: 1/16/2013

SURVEYOR SIGNED HEREON IS CHARGED WITH SURVEY MATTERS AND THE PHYSICAL DRAWING ON A COMPUTER DRAFTING SYSTEM ONLY. THIS IS NOT A DESIGN OR INTENDED TO BE ONE. ALL DEPICTIONS THAT ARE NOT SURVEY MATTERS IS PROVIDED BY OTHERS.



**GASQUE & ASSOCIATES INC.
LAND SURVEYORS & PLANNERS**

28 PROFESSIONAL VILLAGE CIRCLE, BEAUFORT, S.C.
P.O. BOX 1363, BEAUFORT, S.C.
PHONE (843) 522-1798



COOSAW POINT- MAINTENANCE DREDGING

DATE; 1/16/2013

SHEET 13 of 23

P/N #SAC-2001-12403-1W (formerly 2000-1W-422)

PROPOSED ACTIVITY
MAINTENANCE DREDGING

COUNTY OF: BEAUFORT
STATE: SOUTH CAROLINA

APPLICANT;
THE HOMESTAKE. REALTY COMPANY
OF SOUTH CAROLINA

SURVEYOR SIGNED HEREON IS CHARGED WITH SURVEY MATTERS AND THE PHYSICAL DRAWING ON A COMPUTER DRAFTING SYSTEM ONLY. THIS IS NOT A DESIGN OR INTENDED TO BE ONE. ALL DEPICTIONS THAT ARE NOT SURVEY MATTERS IS PROVIDED BY OTHERS.

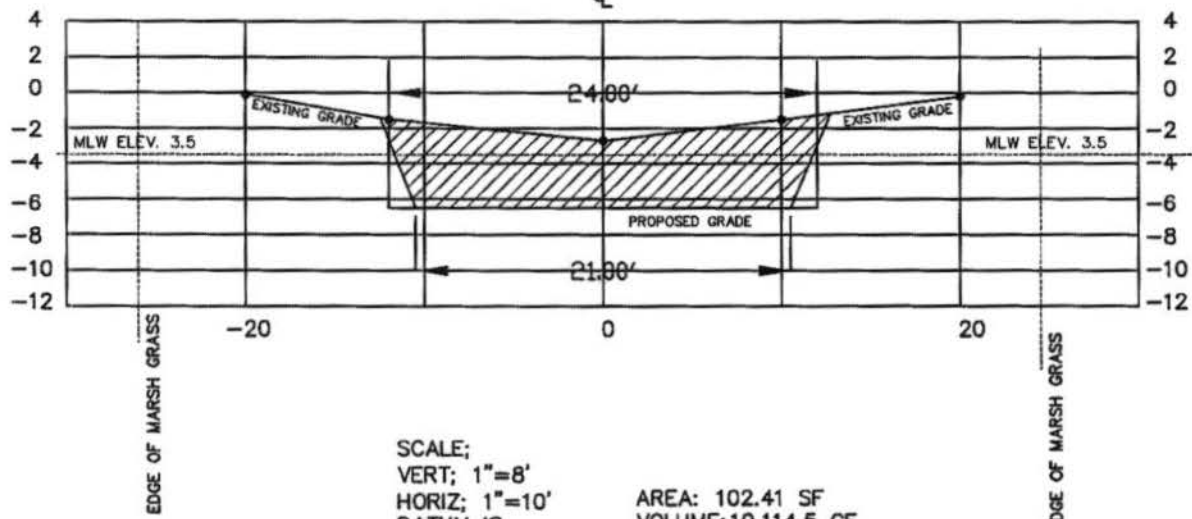
JOB# 39406 DSGN 7 DATE: 1/16/2013



**GASQUE & ASSOCIATES INC.
LAND SURVEYORS & PLANNERS**

28 PROFESSIONAL VILLAGE CIRCLE, BEAUFORT, S.C.
P.O. BOX 1363, BEAUFORT, S.C.
PHONE (843) 522-1798

5+00



SCALE;
VERT; 1"=8'
HORIZ; 1"=10'
DATUM IS
1929 NGVD

AREA: 102.41 SF
VOLUME: 10,114.5 CF

COOSAW POINT- MAINTENANCE DREDGING

DATE; 1/16/2013

SHEET 14 of 23

P/N #SAC-2001-12403-1W (formerly 2000-1W-422)

PROPOSED ACTIVITY
MAINTENANCE DREDGING

COUNTY OF: BEAUFORT
STATE: SOUTH CAROLINA

APPLICANT;
THE HOMESTAKE, REALTY COMPANY
OF SOUTH CAROLINA

SURVEYOR SIGNED HEREON IS CHARGED WITH SURVEY MATTERS AND THE PHYSICAL DRAWING ON A COMPUTER DRAFTING SYSTEM ONLY. THIS IS NOT A DESIGN OR INTENDED TO BE ONE. ALL DEPICTIONS THAT ARE NOT SURVEY MATTERS IS PROVIDED BY OTHERS.

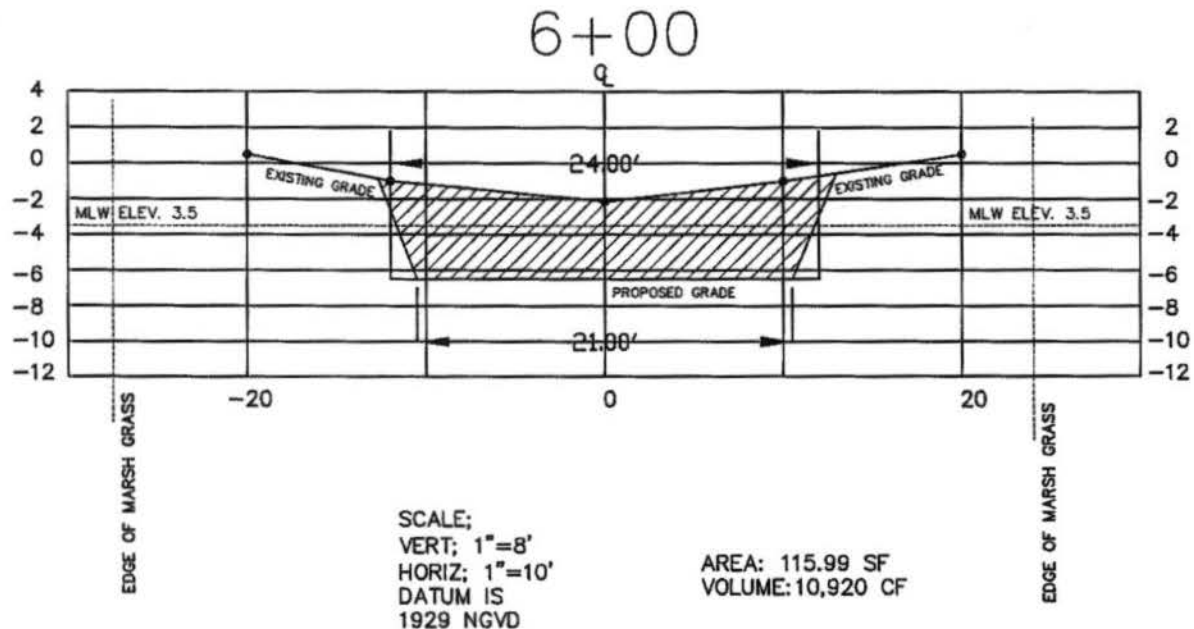
JOB# 39406 DSGN 7

DATE: 1/16/2013



**GASQUE & ASSOCIATES INC.
LAND SURVEYORS & PLANNERS**

28 PROFESSIONAL VILLAGE CIRCLE, BEAUFORT, S.C.
P.O. BOX 1363, BEAUFORT, S.C.
PHONE (843) 522-1798



COOSAW POINT- MAINTENANCE DREDGING

DATE: 1/16/2013

SHEET 15 of 23

P/N #SAC-2001-12403-1W (formerly 2000-1W-422)

PROPOSED ACTIVITY
MAINTENANCE DREDGING

COUNTY OF: BEAUFORT
STATE: SOUTH CAROLINA

APPLICANT;
THE HOMESTAKE, REALTY COMPANY
OF SOUTH CAROLINA

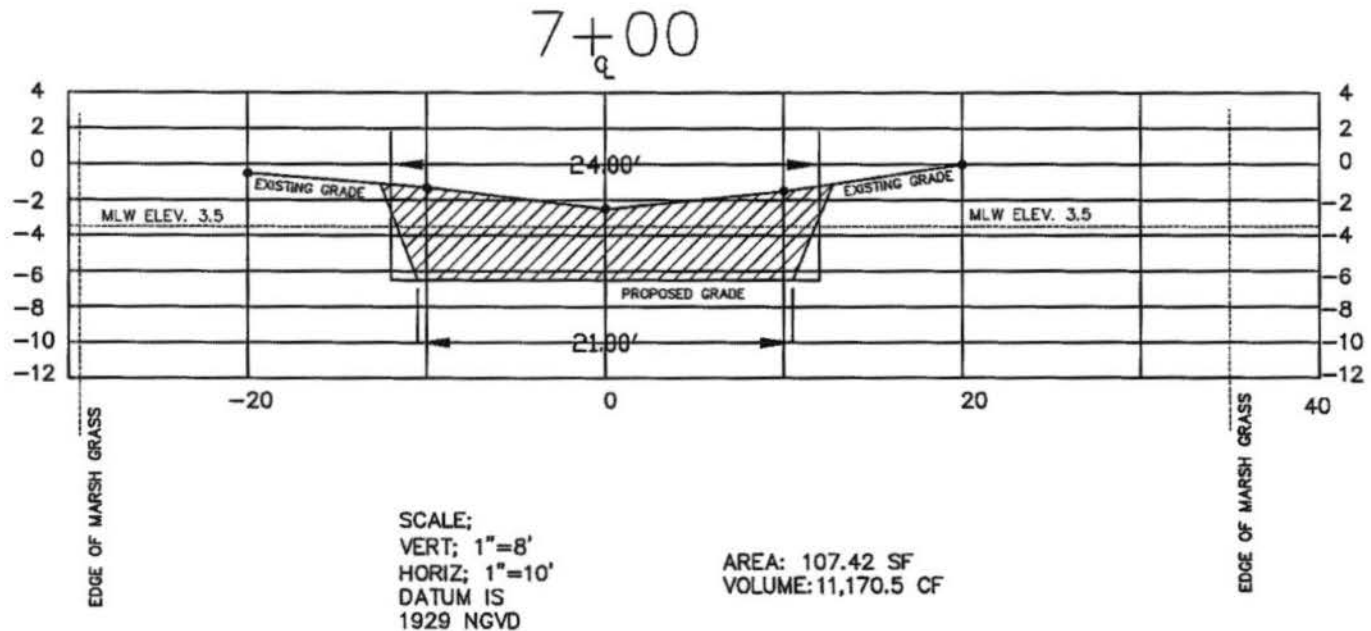
SURVEYOR SIGNED HEREON IS CHARGED WITH SURVEY MATTERS AND THE PHYSICAL DRAWING ON A COMPUTER DRAFTING SYSTEM ONLY. THIS IS NOT A DESIGN OR INTENDED TO BE ONE. ALL DEPICTIONS THAT ARE NOT SURVEY MATTERS IS PROVIDED BY OTHERS.

JOB# 39406 DSGN 7 DATE: 1/16/2013



**GASQUE & ASSOCIATES INC.
LAND SURVEYORS & PLANNERS**

28 PROFESSIONAL VILLAGE CIRCLE, BEAUFORT, S.C.
P.O. BOX 1363, BEAUFORT, S.C.
PHONE (843) 522-1798



COOSAW POINT- MAINTENANCE DREDGING

DATE; 1/16/2013

SHEET 16 of 23

P/N #SAC-2001-12403-1W (formerly 2000-1W-422)

PROPOSED ACTIVITY
MAINTENANCE DREDGING

COUNTY OF: BEAUFORT
STATE: SOUTH CAROLINA

APPLICANT;
THE HOMESTAKE. REALTY COMPANY
OF SOUTH CAROLINA

SURVEYOR SIGNED HEREON IS CHARGED WITH SURVEY MATTERS AND THE PHYSICAL DRAWING ON A COMPUTER DRAFTING SYSTEM ONLY. THIS IS NOT A DESIGN OR INTENDED TO BE ONE. ALL DEPICTIONS THAT ARE NOT SURVEY MATTERS IS PROVIDED BY OTHERS.

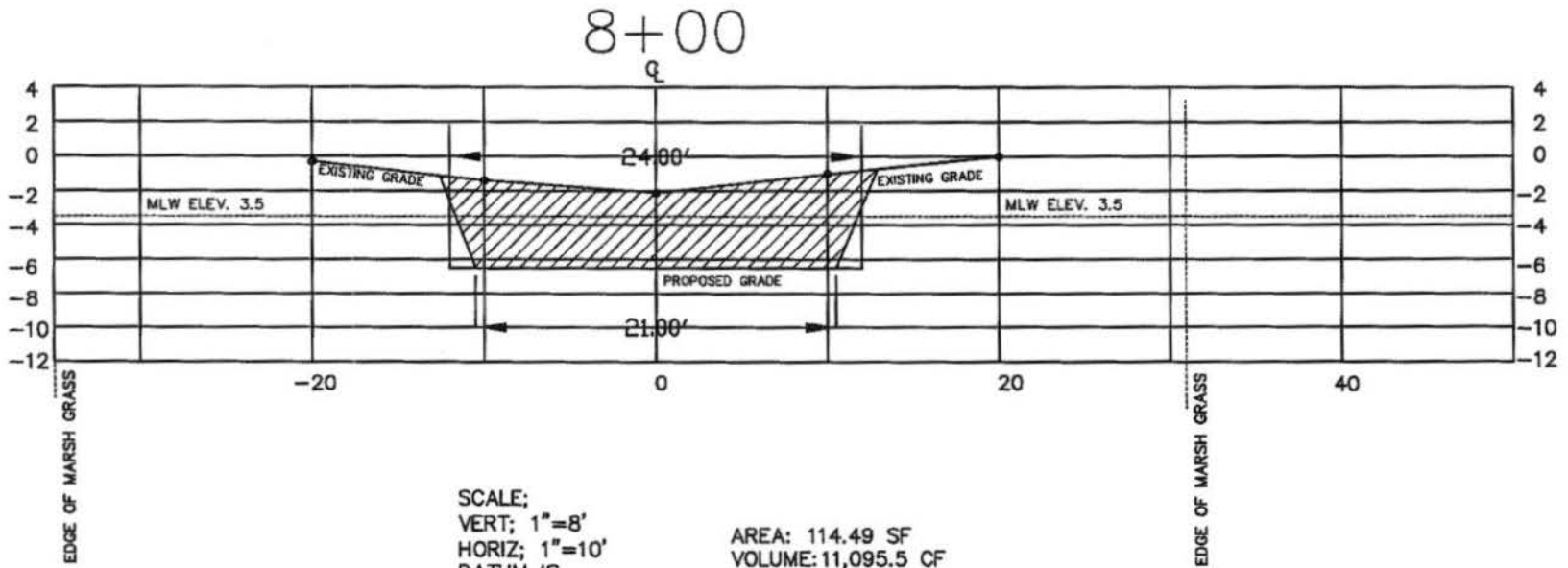
JOB# 39406 DSGN 7

DATE: 1/16/2013



GASQUE & ASSOCIATES INC.
LAND SURVEYORS & PLANNERS

28 PROFESSIONAL VILLAGE CIRCLE, BEAUFORT, S.C.
 P.O. BOX 1363, BEAUFORT, S.C.
 PHONE (843) 522-1798



SCALE;
 VERT; 1"=8'
 HORIZ; 1"=10'
 DATUM IS
 1929 NGVD

AREA: 114.49 SF
 VOLUME: 11,095.5 CF

COOSAW POINT- MAINTENANCE DREDGING

DATE: 1/16/2013

SHEET 17 of 23

P/N #SAC-2001-12403-1W (formerly 2000-1W-422)

PROPOSED ACTIVITY
 MAINTENANCE DREDGING

COUNTY OF: BEAUFORT
 STATE: SOUTH CAROLINA

APPLICANT;
 THE HOMESTAKE, REALTY COMPANY
 OF SOUTH CAROLINA

JOB# 39406 DSGN 7

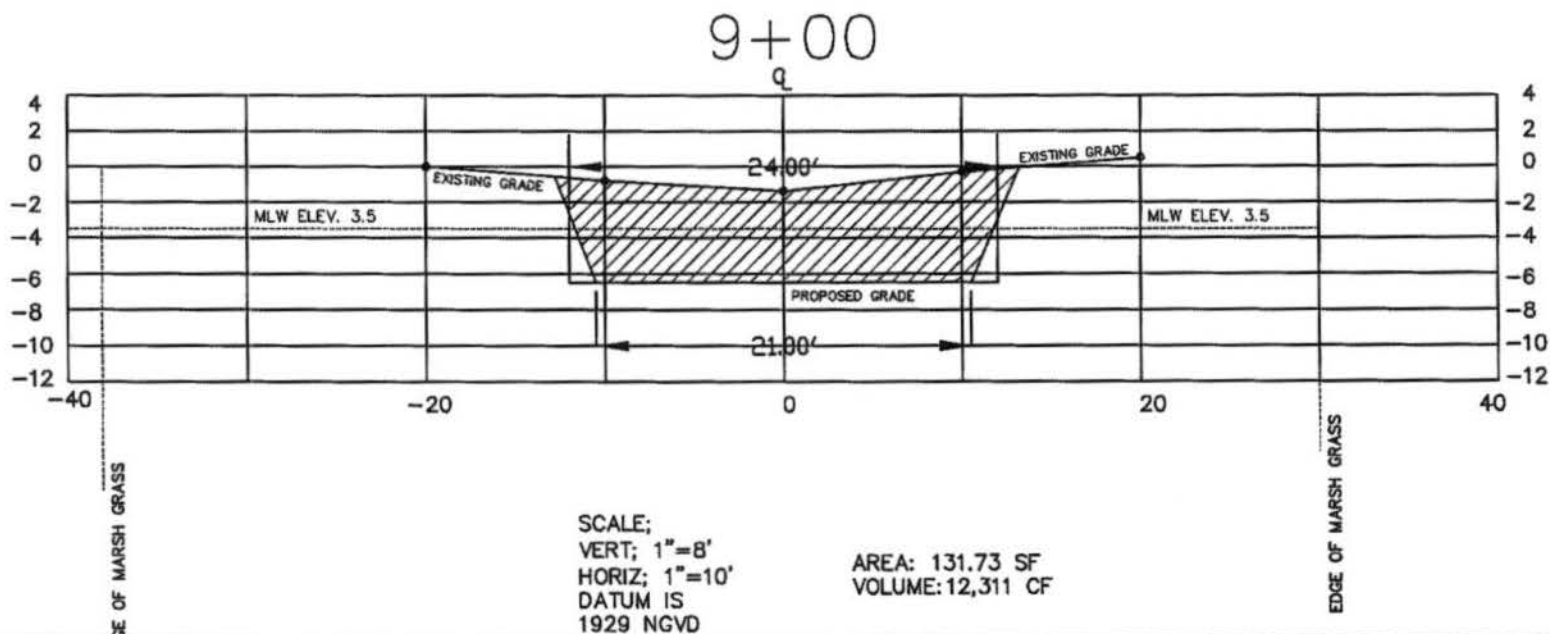
DATE: 1/16/2013

SURVEYOR SIGNED HEREON IS CHARGED WITH SURVEY MATTERS AND THE PHYSICAL DRAWING ON A COMPUTER DRAFTING SYSTEM ONLY. THIS IS NOT A DESIGN OR INTENDED TO BE ONE. ALL DEPICTIONS THAT ARE NOT SURVEY MATTERS IS PROVIDED BY OTHERS.



**GASQUE & ASSOCIATES INC.
LAND SURVEYORS & PLANNERS**

28 PROFESSIONAL VILLAGE CIRCLE, BEAUFORT, S.C.
P.O. BOX 1363, BEAUFORT, S.C.
PHONE (843) 522-1798



COOSAW POINT- MAINTENANCE DREDGING

DATE: 1/16/2013

SHEET 18 of 23

P/N #SAC-2001-12403-1W (formerly 2000-1W-422)

PROPOSED ACTIVITY
MAINTENANCE DREDGING

COUNTY OF: BEAUFORT
STATE: SOUTH CAROLINA

APPLICANT;
THE HOMESTAKE, REALTY COMPANY
OF SOUTH CAROLINA

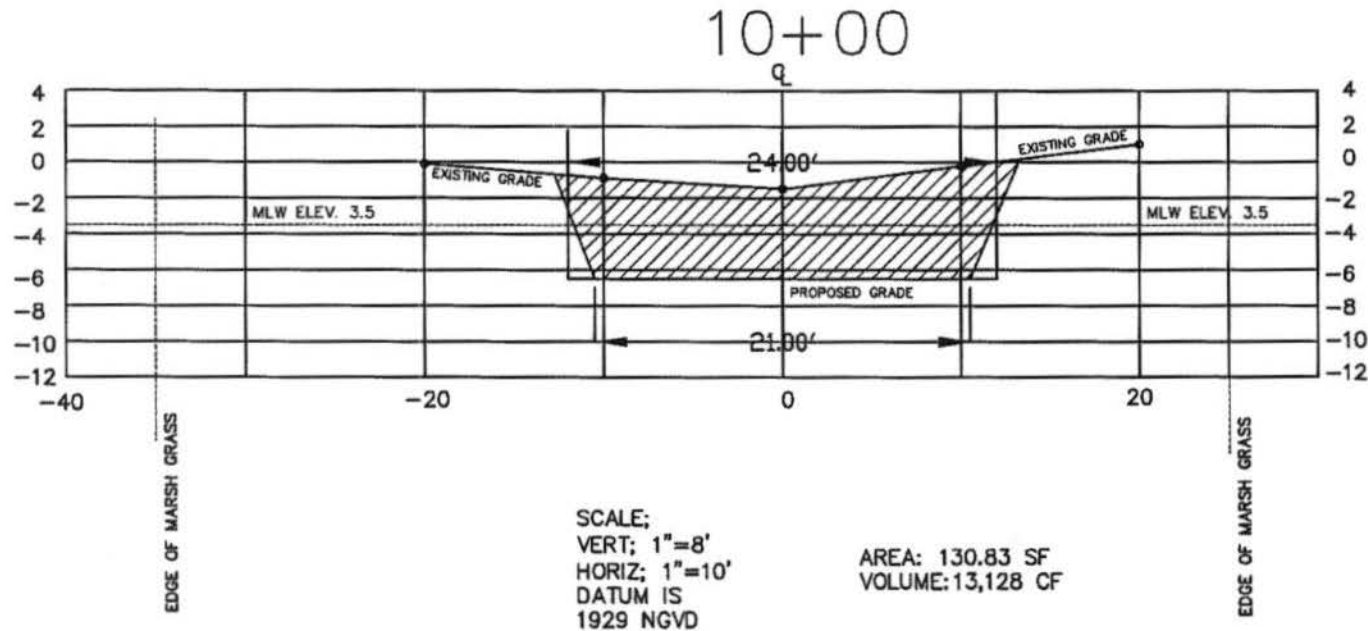
JOB# 39406 DSGN 7 DATE: 1/16/2013

SURVEYOR SIGNED HEREON IS CHARGED WITH SURVEY MATTERS AND THE PHYSICAL DRAWING ON A COMPUTER DRAFTING SYSTEM ONLY. THIS IS NOT A DESIGN OR INTENDED TO BE ONE. ALL DEPICTIONS THAT ARE NOT SURVEY MATTERS IS PROVIDED BY OTHERS.



**GASQUE & ASSOCIATES INC.
LAND SURVEYORS & PLANNERS**

28 PROFESSIONAL VILLAGE CIRCLE, BEAUFORT, S.C.
P.O. BOX 1363, BEAUFORT, S.C.
PHONE (843) 522-1798



COOSAW POINT- MAINTENANCE DREDGING

DATE: 1/16/2013

SHEET 19 of 23

P/N #SAC-2001-12403-1W (formerly 2000-1W-422)

PROPOSED ACTIVITY
MAINTENANCE DREDGING

COUNTY OF: BEAUFORT
STATE: SOUTH CAROLINA

APPLICANT;
THE HOMESTAKE REALTY COMPANY
OF SOUTH CAROLINA

JOB# 39406 DSGN 7

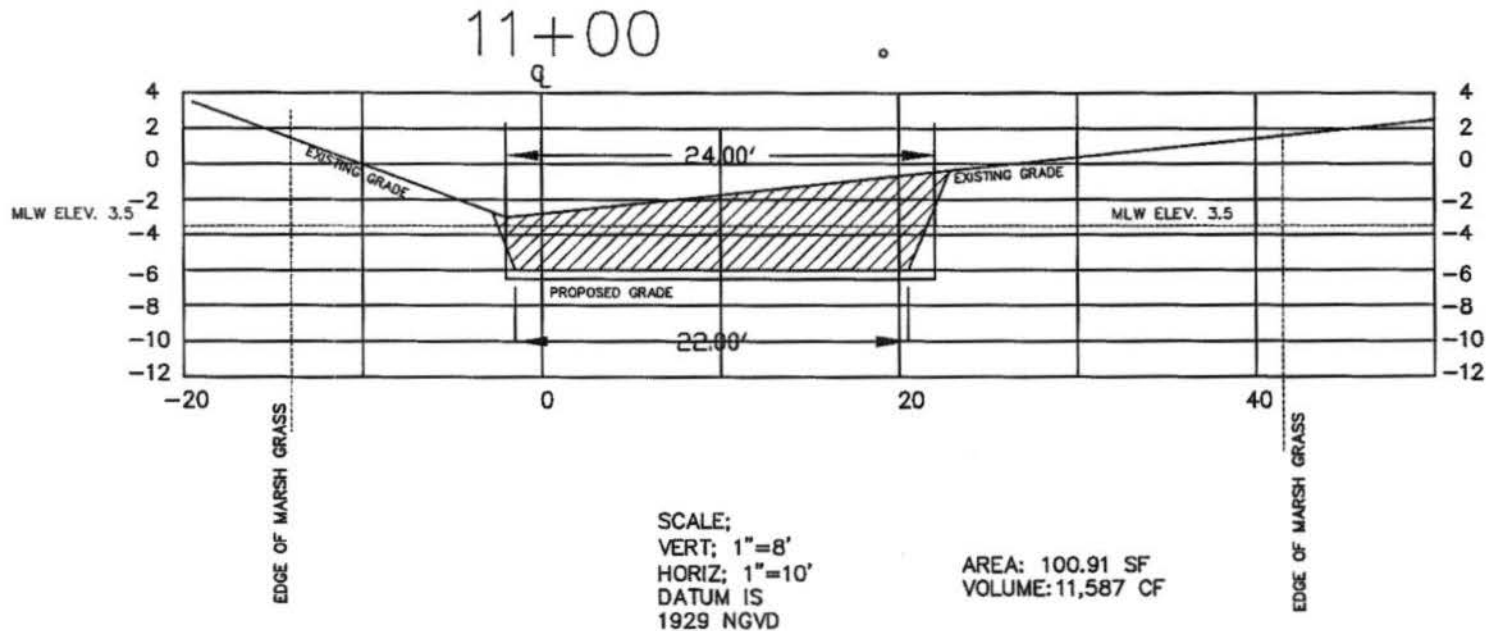
DATE: 1/16/2013

SURVEYOR SIGNED HEREON IS CHARGED WITH SURVEY MATTERS AND THE PHYSICAL DRAWING ON A COMPUTER DRAFTING SYSTEM ONLY. THIS IS NOT A DESIGN OR INTENDED TO BE ONE. ALL DEPICTIONS THAT ARE NOT SURVEY MATTERS IS PROVIDED BY OTHERS.



**GASQUE & ASSOCIATES INC.
LAND SURVEYORS & PLANNERS**

28 PROFESSIONAL VILLAGE CIRCLE, BEAUFORT, S.C.
P.O. BOX 1363, BEAUFORT, S.C.
PHONE (843) 522-1798



COOSAW POINT- MAINTENANCE DREDGING

DATE: 1/16/2013

SHEET 20 of 23

P/N #SAC-2001-12403-1W (formerly 2000-1W-422)

PROPOSED ACTIVITY
MAINTENANCE DREDGING

COUNTY OF: BEAUFORT
STATE: SOUTH CAROLINA

APPLICANT;
THE HOMESTAKE. REALTY COMPANY
OF SOUTH CAROLINA

SURVEYOR SIGNED HEREON IS CHARGED WITH SURVEY MATTERS AND THE PHYSICAL DRAWING ON A COMPUTER DRAFTING SYSTEM ONLY. THIS IS NOT A DESIGN OR INTENDED TO BE ONE. ALL DEPICTIONS THAT ARE NOT SURVEY MATTERS IS PROVIDED BY OTHERS.

JOB# 39406 DSGN 7

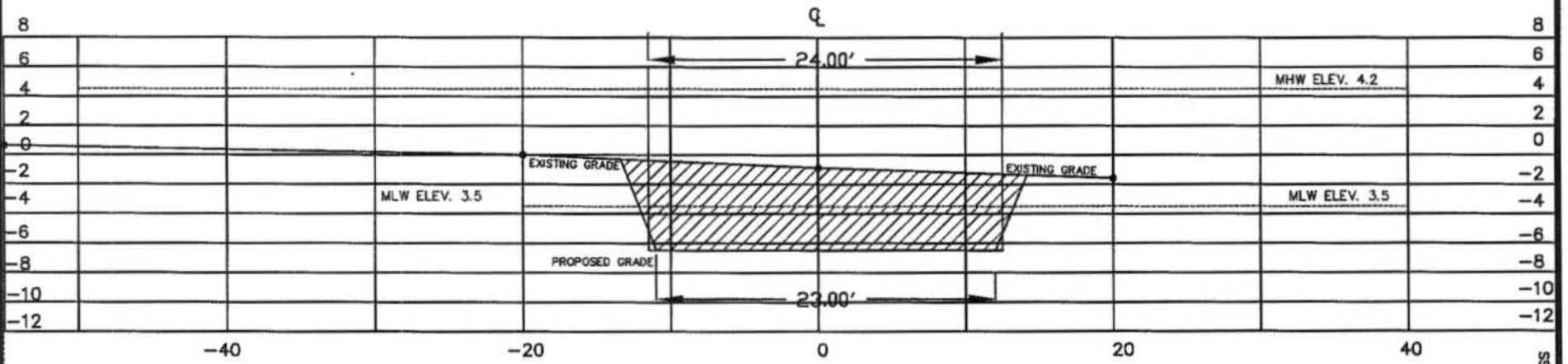
DATE: 1/16/2013



GASQUE & ASSOCIATES INC.
LAND SURVEYORS & PLANNERS

28 PROFESSIONAL VILLAGE CIRCLE, BEAUFORT, S.C.
 P.O. BOX 1363, BEAUFORT, S.C.
 PHONE (843) 522-1798

12+00



SCALE;
 VERT; 1"=8'
 HORIZ; 1"=10'
 DATUM IS
 1929 NGVD

AREA: 141.92 SF
 VOLUME: 12,141.5 CF

COOSAW POINT- MAINTENANCE DREDGING

DATE; 1/16/2013

SHEET 21 of 23

P/N #SAC-2001-12403-1W (formerly 2000-1W-422)

PROPOSED ACTIVITY
 MAINTENANCE DREDGING

COUNTY OF: BEAUFORT
 STATE: SOUTH CAROLINA

APPLICANT;
 THE HOMESTAKE. REALTY COMPANY
 OF SOUTH CAROLINA

SURVEYOR SIGNED HEREON IS CHARGED WITH SURVEY MATTERS AND THE PHYSICAL DRAWING ON A COMPUTER DRAFTING SYSTEM ONLY. THIS IS NOT A DESIGN OR INTENDED TO BE ONE. ALL DEPICTIONS THAT ARE NOT SURVEY MATTERS IS PROVIDED BY OTHERS.

JOB# 39406 DSGN 7 DATE: 1/16/2013



**GASQUE & ASSOCIATES INC.
LAND SURVEYORS & PLANNERS**

28 PROFESSIONAL VILLAGE CIRCLE, BEAUFORT, S.C.
P.O. BOX 1363, BEAUFORT, S.C.
PHONE (843) 522-1798

SUMARY SHEET:

CUMMULATIVE VOLUME TO BE REMOVED

BASIN: 702.13 CY

CHANNEL: 4,982.35 CY

LENGTH OF CHANNEL: 1,208 FEET

COOSAW POINT- MAINTENANCE DREDGING

DATE: 1/16/2013

SHEET 22 of 23

P/N #SAC-2001-12403-1W (formerly 2000-1W-422)

PROPOSED ACTIVITY
MAINTENANCE DREDGING

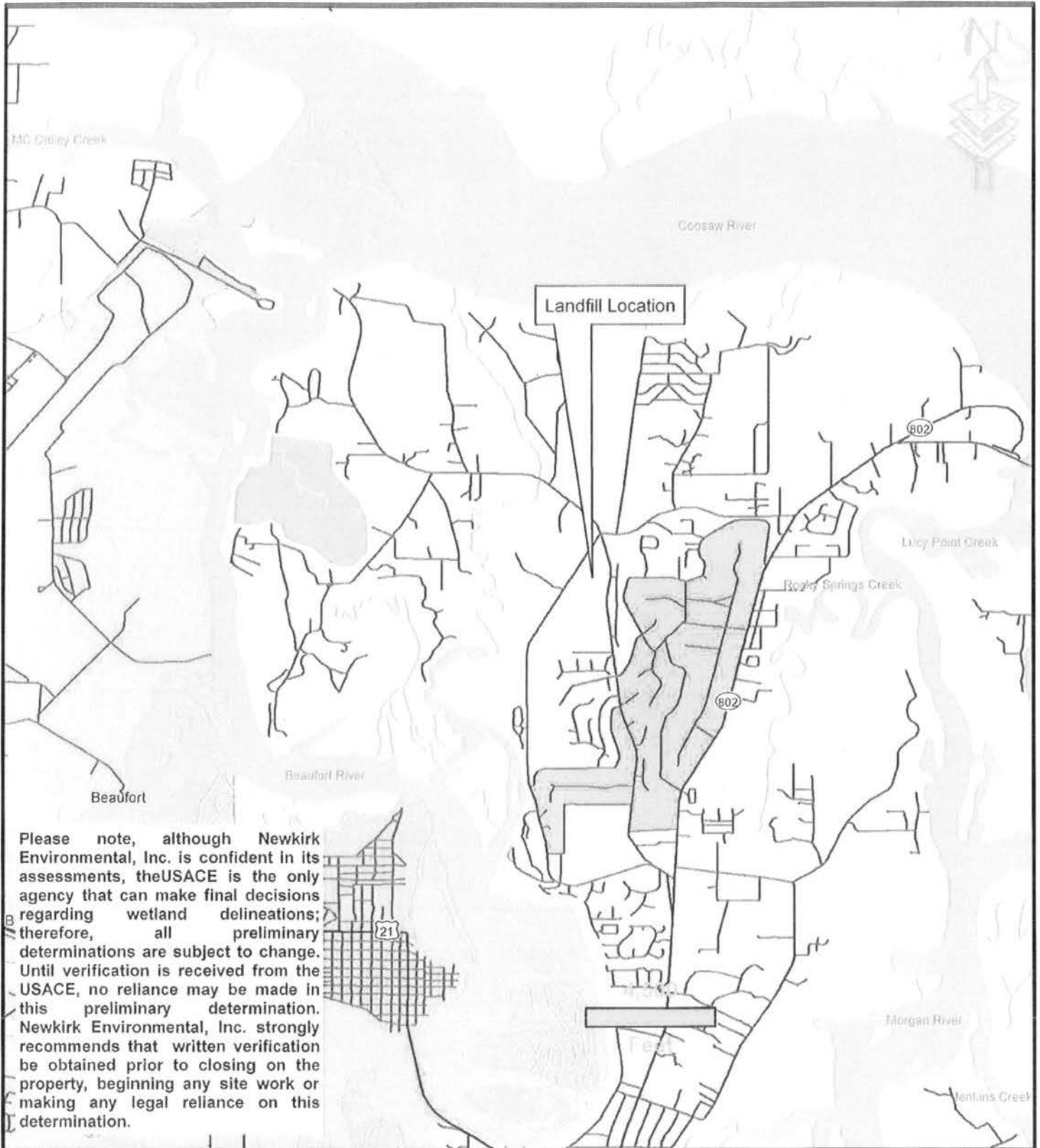
COUNTY OF: BEAUFORT
STATE: SOUTH CAROLINA

APPLICANT;
THE HOMESTAKE REALTY COMPANY
OF SOUTH CAROLINA

SURVEYOR SIGNED HEREON IS CHARGED WITH SURVEY
MATTERS AND THE PHYSICAL DRAWING ON A COMPUTER
DRAFTING SYSTEM ONLY. THIS IS NOT A DESIGN OR
INTENDED TO BE ONE. ALL DEPICTIONS THAT ARE NOT
SURVEY MATTERS IS PROVIDED BY OTHERS.

JOB# 39406 DSGN 7

DATE: 1/16/2013



Vicinity Exhibit

Project #: 01-3058a Date: May 2013

Created by: AH



Location of Landfill
Coosaw Point Inc.
Beaufort County, SC

Sheet 23 of 23

P/N #SAC-2001-12403-1W (formerly 2000-1W-422)