

JOINT
PUBLIC NOTICE

CHARLESTON DISTRICT, CORPS OF ENGINEERS
69A Hagood Avenue
Charleston, South Carolina 29403-5107
and

THE S.C. DEPARTMENT OF HEALTH AND ENVIRONMENTAL CONTROL
Office of Ocean and Coastal Resource Management
1362 McMillan Avenue, Suite 400
Charleston, South Carolina 29405

REGULATORY DIVISION

Refer to: P/N #SAC-2012-00022-1W

20 MARCH 2013

Pursuant to Section 10 of the Rivers and Harbors Act of 1899 (33 U.S.C. 403), and the South Carolina Coastal Zone Management Act (48-39-10 et seq.) an application has been submitted to the Department of the Army and the South Carolina Department of Health and Environmental Control by

TOWN OF HILTON HEAD ISLAND
c/o APPLIED TECHNOLOGY AND MANAGEMENT, INC.
POST OFFICE BOX 20336
CHARLESTON, SOUTH CAROLINA 29413-0336

for a permit to construct a community fixed pier and floating dock in waters of

SKULL CREEK

at a location adjacent to a 7.51 acre tract consisting of five parcels of land on Squire Pope Road, Hilton Head Island, Beaufort County, South Carolina (Latitude 32.224312°, Longitude -80.756311°)

In order to give all interested parties an opportunity to express their views

NOTICE

is hereby given that written statements regarding the proposed work will be received by the **Corps** until

15 days from the date of this notice

and **SCDHEC** will receive written statements regarding the proposed work until

30 days from the date of this notice

from those interested in the activity and whose interests may be affected by the proposed work.

The proposed work consists of the construction of an 8' x 200' fixed timber walkway that leads to a 20' x 93' pier head that is designed to provide clearance for rowing skulls, kayaks and sailing vessels and to provide public fishing and crabbing areas at the same time as shown on sheet 4, 5 and 6 of 7. On the north side of the pierhead, an 8' x 80' gangway is proposed that will lead to an 18' x 150' floating dock with a low free-board and according to the applicant is for use by the local sailing and rowing organizations. The south side of the pierhead consists of a 30' x 20' area designated for crabbing and fishing as shown on sheets 5 and 6 of 7 and according to the applicant is for use by the general public. In addition, the applicant has requested to remove concrete rubble from an 868 square foot area located below the SCDHEC, OCRM critical line next to the walkway.

REGULATORY DIVISION

Refer to: P/N #SAC-2012-00022-1W

20 MARCH 2013

NOTE: Plans depicting the work described in this notice are available and will be provided, upon receipt of a written request, to anyone that is interested in obtaining a copy of the plans for the specific project. The request must identify the project of interest by public notice number and a self-addressed stamped envelope must also be provided for mailing the drawings to you. Your request for drawings should be addressed to the

**U.S. Army Corps of Engineers
ATTN: REGULATORY DIVISION
69A Hagood Avenue
Charleston, South Carolina 29403-5107**

The work shown on this application must also be certified as consistent with applicable provisions of the Coastal Zone Management Program (15 CFR 930). The District Engineer will not process this application to a conclusion until such certification is received. The applicant is hereby advised that supplemental information may be required by the State to facilitate the review. Persons wishing to comment or object to State certification must submit all comments in writing to the South Carolina Department of Health and Environmental Control at the above address within thirty (30) days of the date of this notice.

This initiates the Essential Fish Habitat (EFH) consultation requirements of the Magnuson-Stevens Fishery Conservation and Management Act. Implementation of the proposed project would impact 0.03 acres of estuarine substrates and emergent wetlands utilized by various life stages of species comprising the red drum, shrimp, and snapper-grouper management complexes. Our initial determination is that the proposed action would not have a substantial individual or cumulative adverse impact on EFH or fisheries managed by the South Atlantic Fishery Management Council and the National Marine Fisheries Service (NMFS). Our final determination relative to project impacts and the need for mitigation measures is subject to review by and coordination with the NMFS.

The District Engineer has consulted the most recently available information and has determined that the project will have no effect on any Federally listed endangered, threatened, or proposed species and will not result in the destruction or adverse modification of designated or proposed critical habitat. This public notice serves as a request to the U.S. Fish and Wildlife Service and the National Marine Fisheries Service for any additional information they may have on whether any listed or proposed endangered or threatened species or designated or proposed critical habitat may be present in the area which would be affected by the activity, pursuant to Section 7(c) of the Endangered Species Act of 1973 (as amended).

Pursuant to Section 106 of the National Historic Preservation Act (NHPA), this public notice also constitutes a request to Indian Tribes to notify the District Engineer of any historic properties of religious and cultural significance to them that may be affected by the proposed undertaking.

In accordance with the NHPA, the District Engineer has also consulted the latest published version of the National Register of Historic Places for the presence or absence of registered properties, or properties listed as being eligible for inclusion therein, and this worksite is not included as a registered property or property listed as being eligible for inclusion in the Register. To insure that other cultural resources that the District Engineer is not aware of are not overlooked, this public notice also serves as a request to the State Historic Preservation Office to provide any information it may have with regard to historic and cultural resources.

REGULATORY DIVISION

Refer to: P/N #SAC-2012-00022-1W

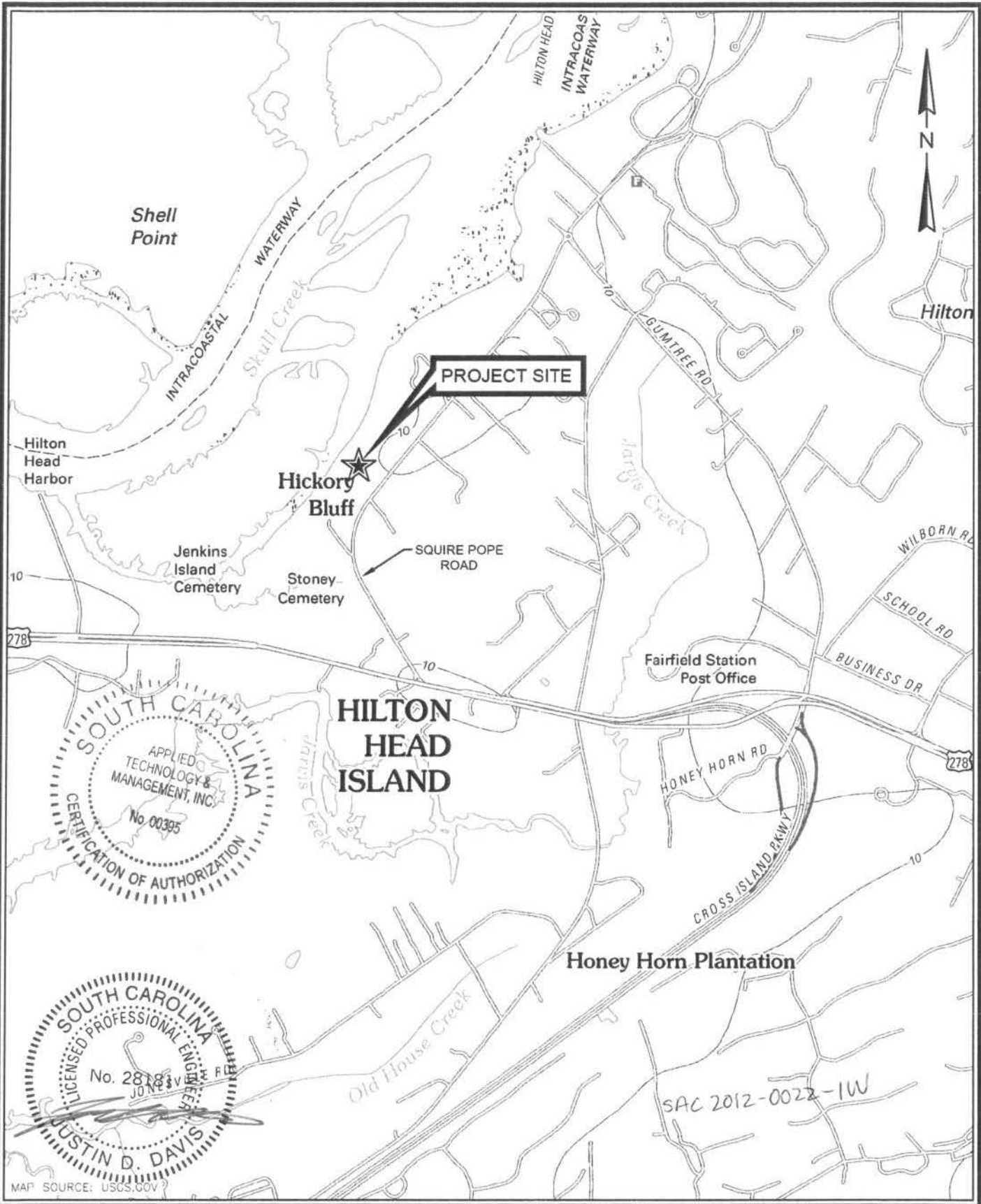
20 MARCH 2013

Any person may request, in writing, within the comment period specified in this notice, that a public hearing be held to consider this application. Requests for a public hearing shall state, with particularity, the reasons for holding a public hearing.

The decision whether to issue a permit will be based on an evaluation of the probable impact including cumulative impacts of the activity on the public interest. That decision will reflect the national concern for both protection and utilization of important resources. The benefit which reasonably may be expected to accrue from the project must be balanced against its reasonably foreseeable detriments. All factors which may be relevant to the project will be considered including the cumulative effects thereof; among those are conservation, economics, aesthetics, general environmental concerns, wetlands, historic properties, fish and wildlife values, flood hazards, flood plain values, land use, navigation, shoreline erosion and accretion, recreation, water supply and conservation, water quality, energy needs, safety, food and fiber production and, in general, the needs and welfare of the people. A permit will be granted unless the District Engineer determines that it would be contrary to the public interest. In cases of conflicting property rights, the Corps of Engineers cannot undertake to adjudicate rival claims.

The Corps of Engineers is soliciting comments from the public; Federal, state, and local agencies and officials; Indian Tribes; and other interested parties in order to consider and evaluate the impacts of this activity. Any comments received will be considered by the Corps of Engineers to determine whether to issue, modify, condition or deny a permit for this project. To make this decision, comments are used to assess impacts on endangered species, historic properties, water quality, general environmental effects, and the other public interest factors listed above. Comments are used in the preparation of an Environmental Assessment and/or an Environmental Impact Statement pursuant to the National Environmental Policy Act. Comments are also used to determine the need for a public hearing and to determine the overall public interest of the activity.

If there are any questions concerning this public notice, please contact Debbie King at 843-329-8044 or toll free at 1-866-329-8187.



LOCATION: A:_MISC\NEW_FOLDER (53)\C3D.01\X\CDS\CDC09.DWG

MAP SOURCE: USGS.COV



PROJECT LOCATION

Rowing and Sailing Center
Beaufort County, South Carolina

WATERBODY: SKULL CREEK

JOB NUMBER: 12-2433

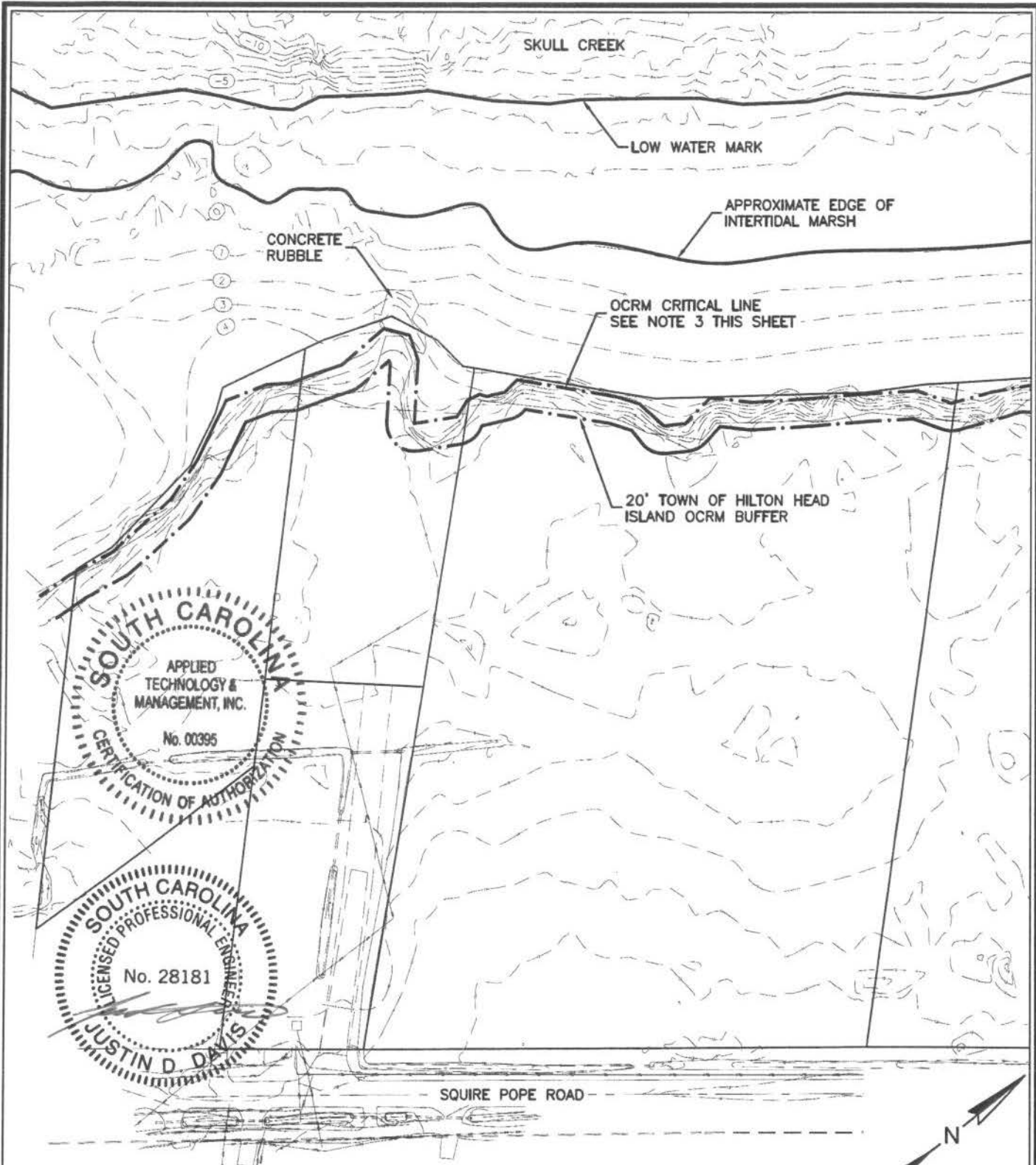
ISSUE DATE: 02-28-2010

SHEET NUMBER: 1

LAT: 32° 13' 29" N; LONG: 80° 45' 28" W

APPLICANT INFORMATION

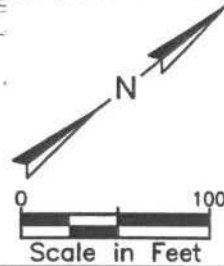
TOWN OF HILTON HEAD ISLAND
ONE TOWN CENTER COURT
HILTON HEAD ISLAND, SC 29928



NOTES

1. THESE PLANS ARE FOR PERMITTING ONLY AND NOT FOR USE IN CONSTRUCTION OR BIDDING.
2. ELEVATIONS IN FEET RELATIVE TO NAVD88 BASED UPON HYDROGRAPHIC SURVEY COMPLETED BY SEA ISLAND LAND SURVEY, LLC. DATED NOVEMBER 06, 2012.
3. OCRM CRITICAL LINE WAS CERTIFIED BY K. LAMAKER ON NOVEMBER 16, 2011.

SAC 2012-0022-1W



LOCATION: A:_MISC\NEW FOLDER (53)\C3D.01\X\CDS\C0011.DWG

ATMSM
 APPLIED TECHNOLOGY & MANAGEMENT
 P.O. Box 20338
 Charleston, South Carolina 29413
 (843) 414-1040
 Certificate of Authorization #000395

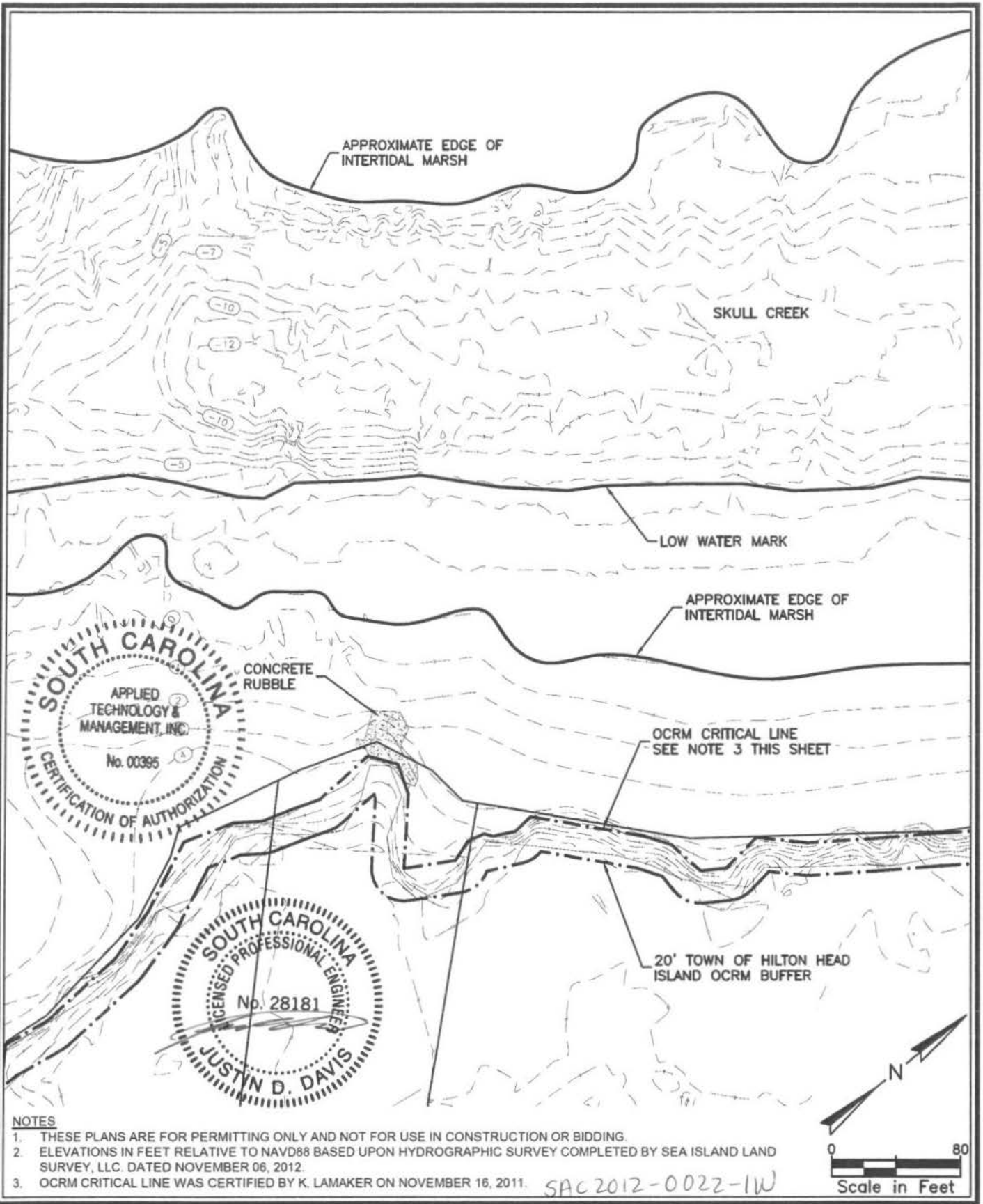
**EXISTING CONDITIONS
 PROJECT SITE**

Rowing and Sailing Center
 Beaufort County, South Carolina

WATERBODY: SKULL CREEK
 JOB NUMBER: 12-2433
 ISSUE DATE: 02-28-2010
 SHEET NUMBER: 2

LAT: 32° 13' 29" N; LONG: 80° 45' 28" W

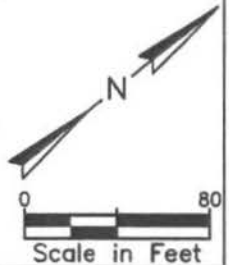
APPLICANT INFORMATION
 TOWN OF HILTON HEAD ISLAND
 ONE TOWN CENTER COURT
 HILTON HEAD ISLAND, SC 29928



NOTES

1. THESE PLANS ARE FOR PERMITTING ONLY AND NOT FOR USE IN CONSTRUCTION OR BIDDING.
2. ELEVATIONS IN FEET RELATIVE TO NAVD88 BASED UPON HYDROGRAPHIC SURVEY COMPLETED BY SEA ISLAND LAND SURVEY, LLC. DATED NOVEMBER 06, 2012.
3. OCRM CRITICAL LINE WAS CERTIFIED BY K. LAMAKER ON NOVEMBER 16, 2011.

SAC 2012-0022-1W



LOCATION: A:\MISC\NEW_FOLDER (5.3)\C:\0.01\X\CDS\CD006.DWG

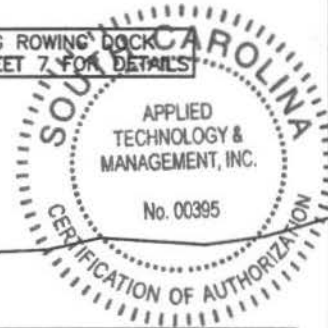
ATMSM
 APPLIED TECHNOLOGY & MANAGEMENT
 P.O. Box 20336
 Charleston, South Carolina 29413
 (843) 414-1040
 Certificate of Authorization #000395

**EXISTING CONDITIONS
 DOCK LOCATION**

Rowing and Sailing Center
 Beaufort County, South Carolina

WATERBODY: SKULL CREEK
JOB NUMBER: 12-2433
ISSUE DATE: 02-28-2010
SHEET NUMBER: 3

LAT: 32° 13' 29" N; LONG: 80° 45' 28" W
<u>APPLICANT INFORMATION</u>
TOWN OF HILTON HEAD ISLAND ONE TOWN CENTER COURT HILTON HEAD ISLAND, SC 29928



SKULL CREEK

FLOATING ROWING DOCK
SEE SHEET 7 FOR DETAILS

LOW WATER MARK

FIXED TIMBER ACCESS PEIR
SEE SHEET 7 FOR DETAILS

NOTES
 1. THESE PLANS ARE FOR PERMITTING ONLY AND NOT FOR USE IN CONSTRUCTION OR BIDDING.
 2. ELEVATIONS IN FEET RELATIVE TO NAVD88 BASED UPON HYDROGRAPHIC SURVEY COMPLETED BY SEA ISLAND LAND SURVEY, LLC. DATED NOVEMBER 06, 2012.
 3. OCRM CRITICAL LINE WAS CERTIFIED BY K. LAMAKER ON NOVEMBER 16, 2011.

OCRM CRITICAL LINE

20' TOWN OF HILTON HEAD ISLAND OCRM BUFFER

GRANITE/SHELL FINES PARKING

BOAT SHELL STORAGE AREA

PICNIC PAVILION

JURISDICTIONAL WETLANDS

BATH HOUSE

GRANITE/SHELL FINES PARKING

20' BUFFER

GRASS PARKING

GRASS PARKING

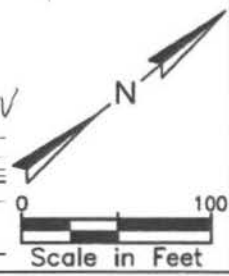
SMALL BOAT STORAGE AREA

GRASS PARKING

GRASS PARKING

SAC-2012-0022-1W

SQUIRE POPE ROAD



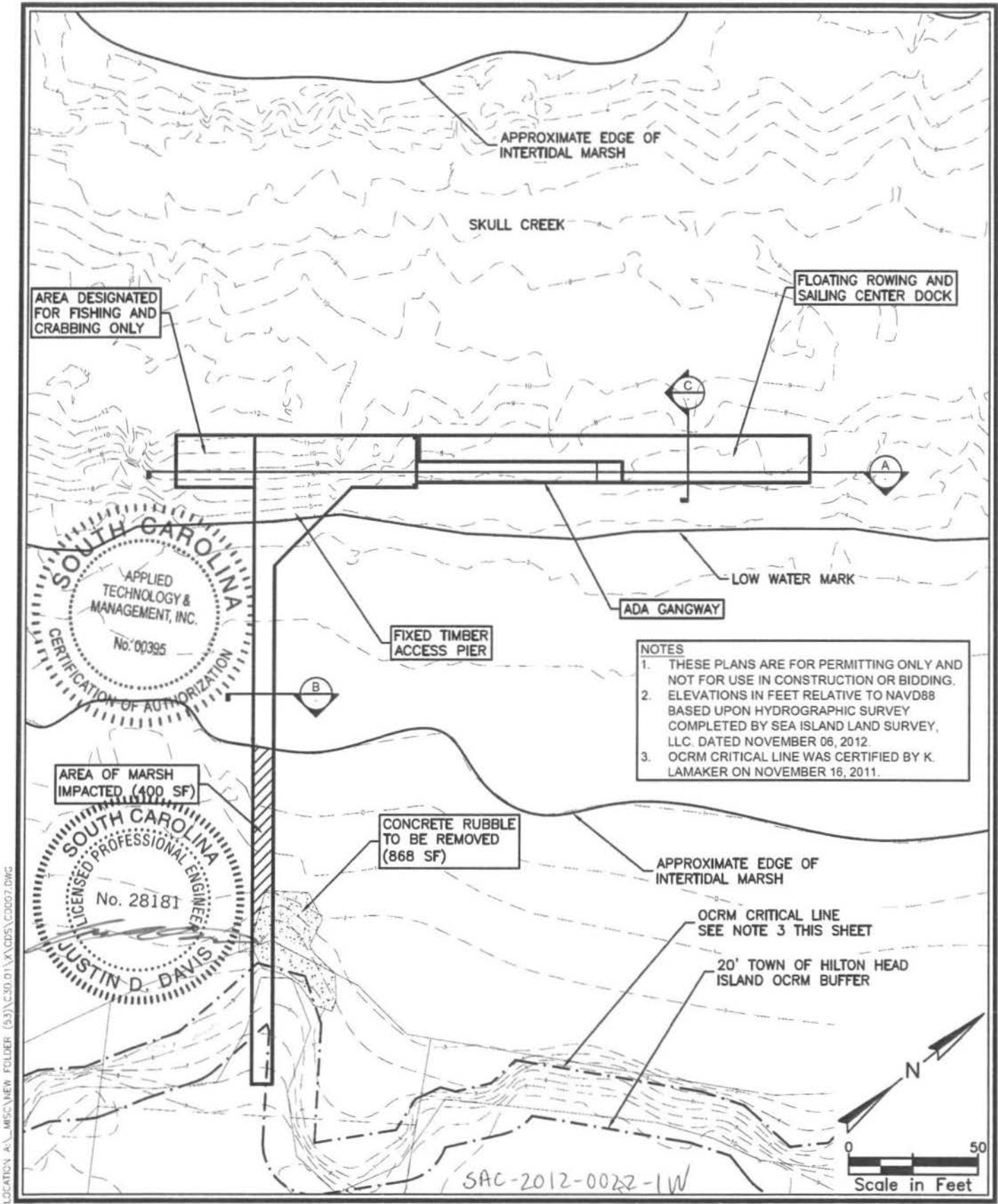
LOCATION: A:\MISC\NEW FOLDER (5.3)\CSD-01\X\CDS\C012.DWG



PROPOSED IMPROVEMENTS PROJECT SITE
 Rowing and Sailing Center
 Beaufort County, South Carolina

WATERBODY: SKULL CREEK
 JOB NUMBER: 12-2433
 ISSUE DATE: 02-28-2010
 SHEET NUMBER: 4

LAT: 32° 13' 29" N; LONG: 80° 45' 28" W
APPLICANT INFORMATION
 TOWN OF HILTON HEAD ISLAND
 ONE TOWN CENTER COURT
 HILTON HEAD ISLAND, SC 29928



LOCATION: A:\MISC\NEW FOLDER (9.3)\CSD-01\X\CDS\CDD07.DWG

P.O. Box 20336
Charleston, South Carolina 29413
(843) 414-1040
Certificate of Authorization #000395

PROPOSED IMPROVEMENTS DOCK

Rowing and Sailing Center
Beaufort County, South Carolina

WATERBODY: SKULL CREEK

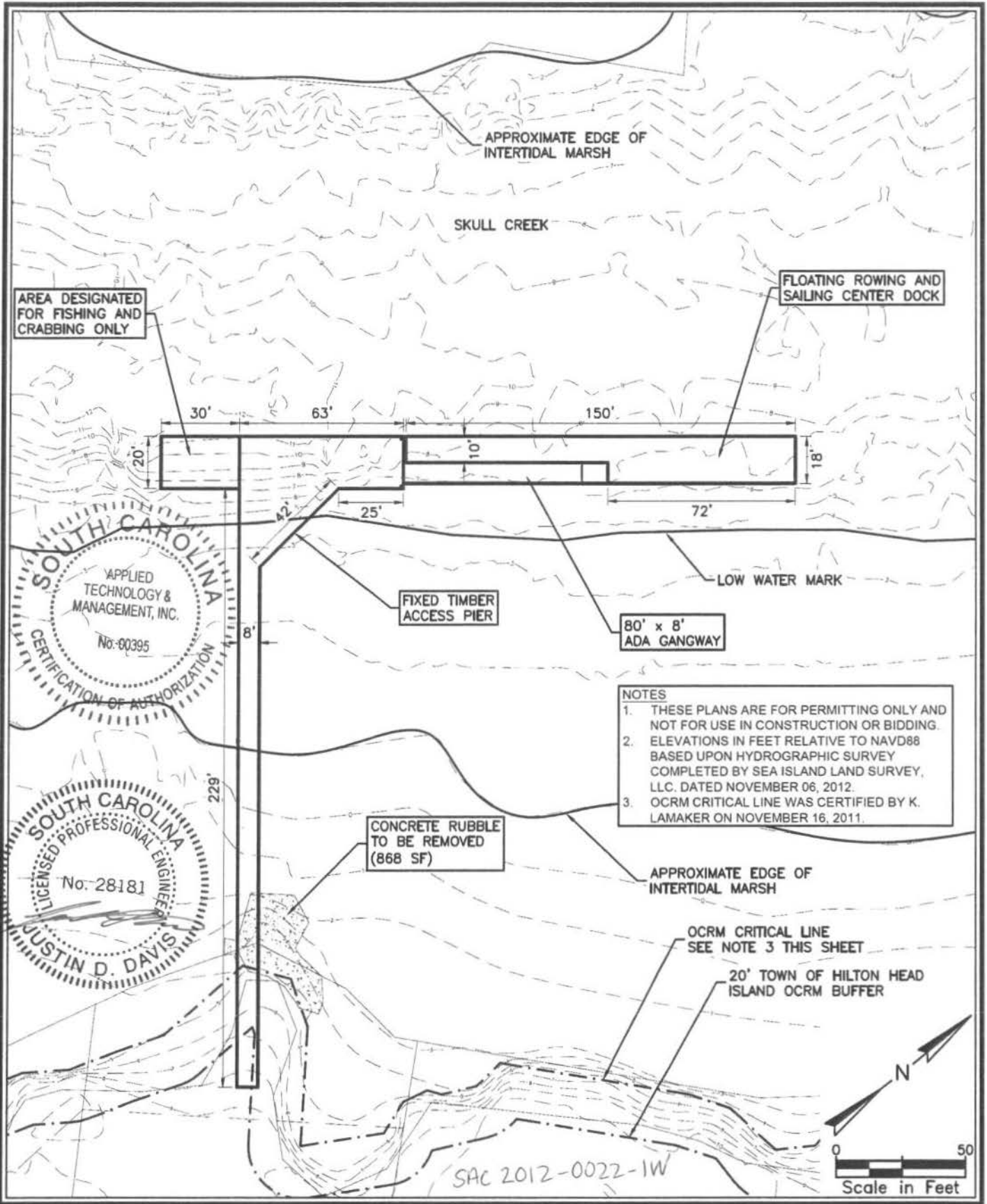
JOB NUMBER: 12-2433

ISSUE DATE: 02-28-2010

SHEET NUMBER: 5

LAT: 32° 13' 29" N; LONG: 80° 45' 28" W

APPLICANT INFORMATION
TOWN OF HILTON HEAD ISLAND
ONE TOWN CENTER COURT
HILTON HEAD ISLAND, SC 29928



LOCATION: A:_MISC\NEW FOLDER (53)\C:\3D\01\X\CD05\CD0208.DWG

ATM
APPLIED TECHNOLOGY & MANAGEMENT

P.O. Box 20336
Charleston, South Carolina 29413
(843) 414-1040
Certificate of Authorization #000395

DIMENSIONAL LAYOUT DOCK

Rowing and Sailing Center
Beaufort County, South Carolina

WATERBODY: SKULL CREEK

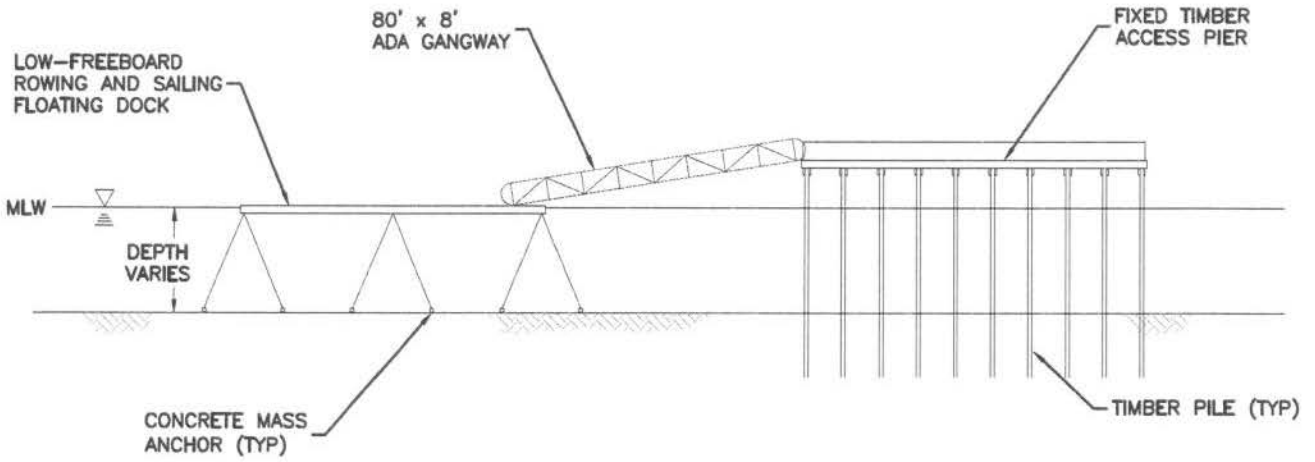
JOB NUMBER: 12-2433

ISSUE DATE: 02-28-2010

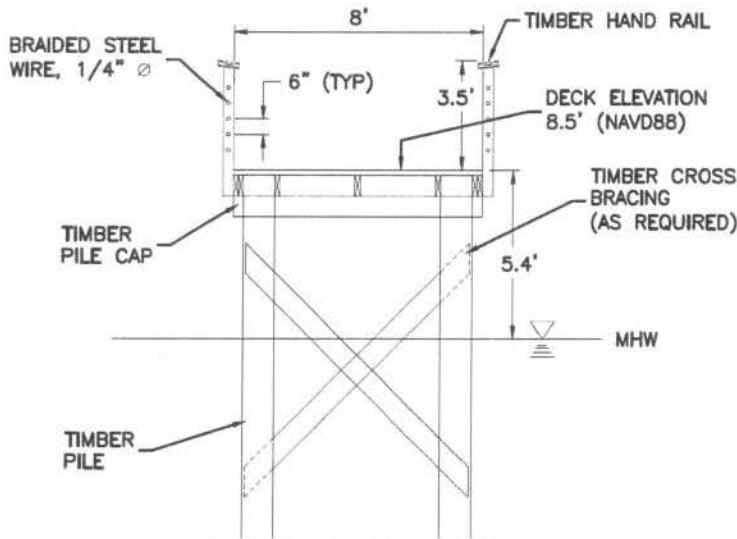
SHEET NUMBER: 6

LAT: 32° 13' 29" N; LONG: 80° 45' 28" W

APPLICANT INFORMATION
TOWN OF HILTON HEAD ISLAND
ONE TOWN CENTER COURT
HILTON HEAD ISLAND, SC 29928



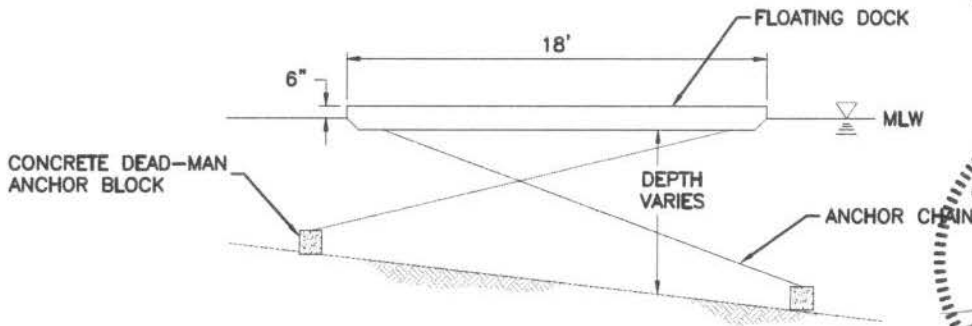
SECTION A



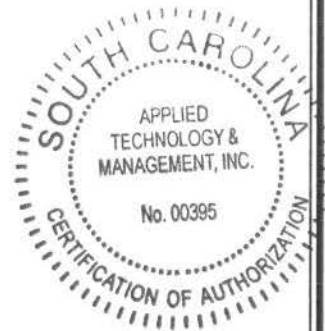
SECTION B

NOTES

1. THESE PLANS ARE FOR PERMITTING ONLY AND NOT FOR USE IN CONSTRUCTION OR BIDDING.
2. ELEVATIONS IN FEET RELATIVE TO NAVD88 BASED UPON HYDROGRAPHIC SURVEY COMPLETED BY SEA ISLAND LAND SURVEY, LLC. DATED NOVEMBER 06, 2012.
3. OCRM CRITICAL LINE WAS CERTIFIED BY K. LAMAKER ON NOVEMBER 16, 2011.



SECTION C



NOT TO SCALE SAC-2012-0022-1W



DOCK DETAILS AND CROSS SECTIONS

Rowing and Sailing Center
 Beaufort County, South Carolina

WATERBODY: SKULL CREEK

JOB NUMBER: 12-2433

ISSUE DATE: 02-28-2010

SHEET NUMBER: 7

LAT: 32° 13' 29" N; LONG: 80° 45' 28" W

APPLICANT INFORMATION
 TOWN OF HILTON HEAD ISLAND
 ONE TOWN CENTER COURT
 HILTON HEAD ISLAND, SC 29928