

**JOINT**  
**PUBLIC NOTICE**

**CHARLESTON DISTRICT, CORPS OF ENGINEERS**  
**69A Hagood Avenue**  
**Charleston, SC 29403-5107**  
**and**  
**THE S.C. DEPARTMENT OF HEALTH AND ENVIRONMENTAL CONTROL**  
**Office of Ocean and Coastal Resource Management**  
**1362 McMillan Avenue, Suite 400**  
**Charleston, South Carolina 29405**

REGULATORY DIVISION

Refer to: P/N SAC-2004-13583- **REVISED**

July 14, 2017

Pursuant to Section 10 of the Rivers and Harbors Act of 1899 (33 U.S.C. 403), Sections 401 and 404 of the Clean Water Act (33 U.S.C. 1344), and the South Carolina Coastal Zone Management Act (48-39-10 et.seq.), an application has been submitted to the Department of the Army and the S.C. Department of Health and Environmental Control by

**Hilton Head Plantation Property Owners Association**  
**7 Surrey Lane**  
**Hilton Head Island, South Carolina 29925**

for a permit modification of an existing permit (SAC-2004-13583) adjacent to the

**Port Royal Sound**

at a location along the shoreline of the Pine Island Isthmus, between the Dolphin Head Recreation Area and Pine Island on Hilton Head Island, Beaufort County, South Carolina (Latitude: 32.2676 °N, Longitude: -80.7232 °W), Quad Sheet: Parris Island.

In order to give all interested parties an opportunity to express their views

**NOTICE**

is hereby given that written statements regarding the proposed work will be received by the **Corps** until

**30 Days from the Date of this Notice,**

and **SCDHEC** will receive written statements regarding the proposed work until

**30 Days from the Date of this Notice**

from those interested in the activity and whose interests may be affected by the proposed work.

PLEASE NOTE: Only comments received from this public notice will be considered during permit evaluation. The proposed work consists of modifying and extending an existing permit (SAC-2004-13583) to protect the Pine Island Isthmus from further erosion. In detail, the applicant proposes the following modifications:

- 1) Previously, on the public notice dated January 26, 2017, the applicant had proposed 921 linear feet of rock revetment along the shoreline. This aspect of the project has been **removed entirely**. Instead, the applicant is now proposing to construct a “walkover” boardwalk for public access to/from Pine Island. The proposed walkover is 6 feet wide and 500 feet long with a lower deck height of 10.5 feet NAVD. The walkover is for resident and guest public access to a recreational/ natural area. No structures or development of Pine Island are planned.
- 2) To increase the permitted volume of sand from 8,000 cy to 8,500 cy of “in-place” material to account for erosion before project construction. The additional sand will be used to fill any sections of the project shoreline that eroded between the November 2016 survey and construction.
- 3) To also allow for an additional 10,000 cy of beach compatible sand from an upland source to be used for future maintenance nourishments. Please note that this is not proposed to be used in the current project but rather on an as needed basis for maintaining beach conditions in the future.
- 4) For a five year extension to their existing federal permit. The existing Federal permit is set to expire on December 30, 2021.

The project purpose is to restore and maintain a recreational beach along an approximate 1,000-foot erosional section known as Pine Island Isthmus.

**NOTE: This public notice and associated plans are available on the Corps’ website at:**  
<http://www.sac.usace.army.mil/Missions/Regulatory/PublicNotices> .

The District Engineer has concluded that the discharges associated with this project, both direct and indirect, should be reviewed by the South Carolina Department of Health and Environmental Control in accordance with provisions of Section 401 of the Clean Water Act. As such, this notice constitutes a request, on behalf of the applicant, for certification that this project will comply with applicable effluent limitations and water quality standards. The work shown on this application must also be certified as consistent with applicable provisions of the Coastal Zone Management Program (15 CFR 930). This activity may also require evaluation for compliance with the S. C. Construction in Navigable Waters Permit Program. State review, permitting and certification is conducted by the S. C. Department of Health and Environmental Control. The District Engineer will not process this application to aclusion until such certifications are received. The applicant is hereby advised that supplemental information may be required by the State to facilitate the review.

This notice initiates the Essential Fish Habitat (EFH) consultation requirements of the Magnuson-Stevens Fishery Conservation and Management Act. Implementation of the proposed project would impact 2.2 acres of intertidal beach utilized by various life stages of species comprising the shrimp, and snapper-grouper management complexes. The District Engineer’s initial determination is that the proposed action would not have a substantial individual or cumulative adverse impact on EFH or fisheries managed by the South Atlantic Fishery Management Council and the National Marine Fisheries Service (NMFS). The District Engineer’s final determination relative to project impacts and the need for mitigation measures is subject to review by and coordination with the NMFS.

Pursuant to the Section 7 of the Endangered Species Act of 1973 (as amended), the Corps

has reviewed the project area, examined all information provided by the applicant, and the District Engineer has determined that the project is not likely to adversely affect any Federally endangered, threatened, or proposed species or result in the destruction or adverse modification of designated or proposed critical habitat of the green sea turtle (*Chelonia mydas*), leatherback sea turtle (*Dermochelys coriacea*), loggerhead sea turtle (*Caretta caretta*) and its critical habitat, piping plover (*Charadrius melodus*) and its critical habitat, or the red knot (*Calidris canutus rufa*). The project may affect but is not likely to adversely affect the West Indian manatee (*Trichechus manatus*). This public notice serves as a request for written concurrence from the U.S. Fish and Wildlife Service and/or the National Marine Fisheries Service on this determination. **Please note: The USFWS provided a Biological Opinion (BO) for the loggerhead sea turtle on March 26, 1998, for the previously permitted beach nourishment project (97-1A-439-P). Under the 2004 permit (2004-1W-158), and subsequent 2011 permit, the Corps incorporated special conditions prohibiting work during turtle nesting season, which will still be applied to this permit modification.**

Pursuant to Section 106 of the National Historic Preservation Act (NHPA), this public notice also constitutes a request to Indian Tribes to notify the District Engineer of any historic properties of religious and cultural significance to them that may be affected by the proposed undertaking.

In accordance with Section 106 of the NHPA, the District Engineer has consulted South Carolina ArchSite (GIS), for the presence or absence of historic properties (as defined in 36 C.F.R. 800.16)(1)(1)), and has initially determined that historic properties, are present; moreover, these historic properties may be affected by the undertaking. This public notice serves to notify the State Historic Preservation Office that the Corps plans to initiate Section 106 consultation on these historic properties. Individuals or groups who would like to be consulting parties for the purposes of the NHPA should make such a request to the Corps in writing within 30 days of this public notice. To ensure that other historic properties that the District Engineer is not aware of are not overlooked, this public notice also serves as a request to the State Historic Preservation Office and other interested parties to provide any information they may have with regard to historic properties.

The District Engineer's final eligibility and effect determination will be based upon coordination with the SHPO and/or THPO, as appropriate and required and with full consideration given to the proposed undertaking's potential direct and indirect effects on historic properties within the Corps-identified permit area.

Any person may request, in writing, within the comment period specified in this notice, that a public hearing be held to consider this application. Requests for a public hearing shall state, with particularity, the reasons for holding a public hearing.

The decision whether to issue a permit will be based on an evaluation of the probable impact including cumulative impacts of the activity on the public interest and will include application of the guidelines promulgated by the Administrator, Environmental Protection Agency (EPA), under authority of Section 404(b) of the Clean Water Act. That decision will reflect the national concern for both protection and utilization of important resources. The benefit which reasonably may be expected to accrue from the project must be balanced against its reasonably foreseeable detriments. All factors which may be relevant to the project will be considered including the cumulative effects thereof; among those are conservation, economics, aesthetics, general environmental concerns, wetlands, historic properties, fish and wildlife values, flood hazards, flood

plain values, land use, navigation, shoreline erosion and accretion, recreation, water supply and conservation, water quality, energy needs, safety, food and fiber production and, in general, the needs and welfare of the people. A permit will be granted unless the District Engineer determines that it would be contrary to the public interest. In cases of conflicting property rights, the Corps cannot undertake to adjudicate rival claims.

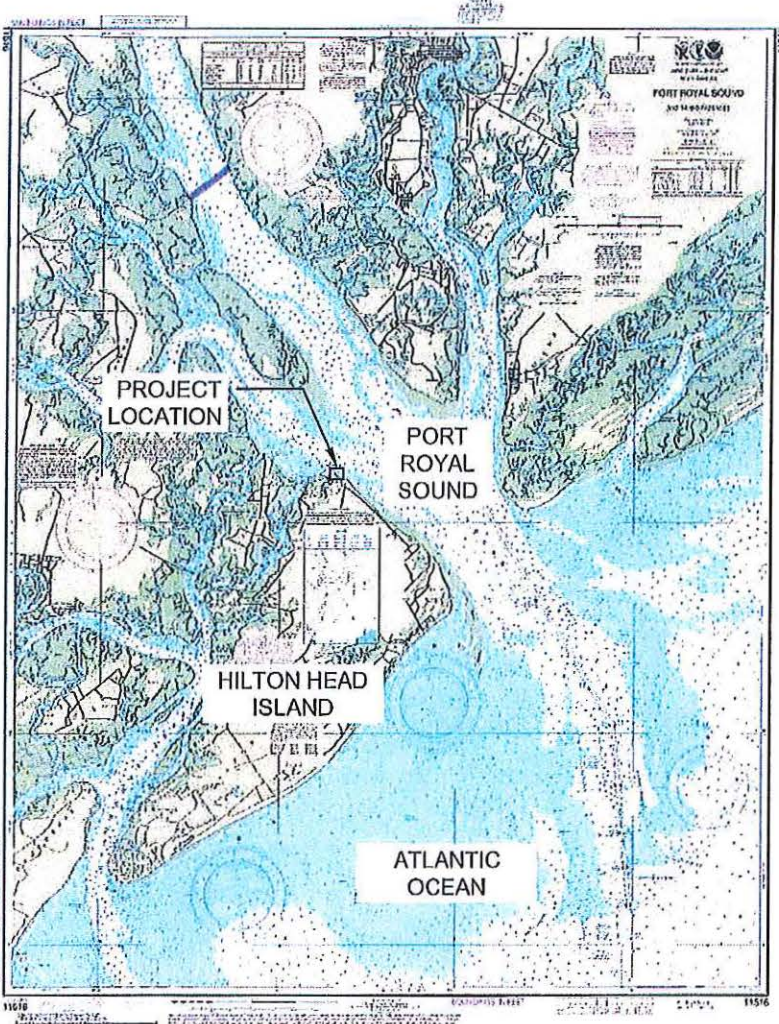
The Corps is soliciting comments from the public; Federal, state, and local agencies and officials; Indian Tribes; and other interested parties in order to consider and evaluate the impacts of this activity. Any comments received will be considered by the Corps to determine whether to issue, modify, condition or deny a permit for this project. To make this decision, comments are used to assess impacts on endangered species, historic properties, water quality, general environmental effects, and the other public interest factors listed above. Comments are used in the preparation of an Environmental Assessment and/or an Environmental Impact Statement pursuant to the National Environmental Policy Act. Comments are also used to determine the need for a public hearing and to determine the overall public interest of the activity. **Please submit comments in writing, identifying the project of interest by public notice number, to the following address:**

**U.S. Army Corps of Engineers  
ATTN: REGULATORY DIVISION  
69A Hagood Avenue  
Charleston, SC 29403-5107**

If there are any questions concerning this public notice, please contact Chelsea B. Fannin, Project Manager, at (843) 329-8044 or toll free at 1-866-329-8187.

FOR PERMITTING PURPOSES ONLY  
 "NOT FOR CONSTRUCTION"

*Project: Pine Island Access Walkover*  
 HILTON HEAD, SOUTH CAROLINA



SHEET INDEX:

1. COVER SHEET & LOCATION MAP
2. EXISTING CONDITIONS PLAN VIEW
3. PROPOSED IMPROVEMENTS PLAN VIEW
4. TYPICAL PROFILES AND SECTIONS

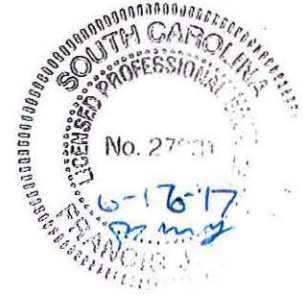
SOUTH CAROLINA



NTS

NOTES:

1. IMAGE BASED ON PORT ROYAL SOUND NAUTICAL CHART DOWNLOADED FROM NOAA'S DIGITAL CHART DATABASE.
2. ALL DIMENSIONS ARE IN FEET.



C:\Projects\16-2361-HH-Pine Island Shoreline\00-bri\06\DWG\16-2361-HH-Access Walkover.dwg (1) 6/16/17  
 NOTE: THESE DRAWINGS AND DESIGNS ARE STRICTLY CONFIDENTIAL AND PROTECTED BY INTERNATIONAL COPYRIGHT LAW. DETAILS MUST NOT BE DISCLOSED, REPRODUCED OR COMMUNICATED TO A 3rd PARTY IN ANY FORM OR MANNER WITHOUT THE PRIOR WRITTEN APPROVAL OF APPLIED TECHNOLOGY & MANAGEMENT.

941 Houston Northcutt Blvd. Suite 201  
 Mt Pleasant, SC 29464  
 (843) 414-1040  
 Certificate of Authorization #00395

Cover Sheet &  
 Location Map  
 Project: Pine Island Access Walkover

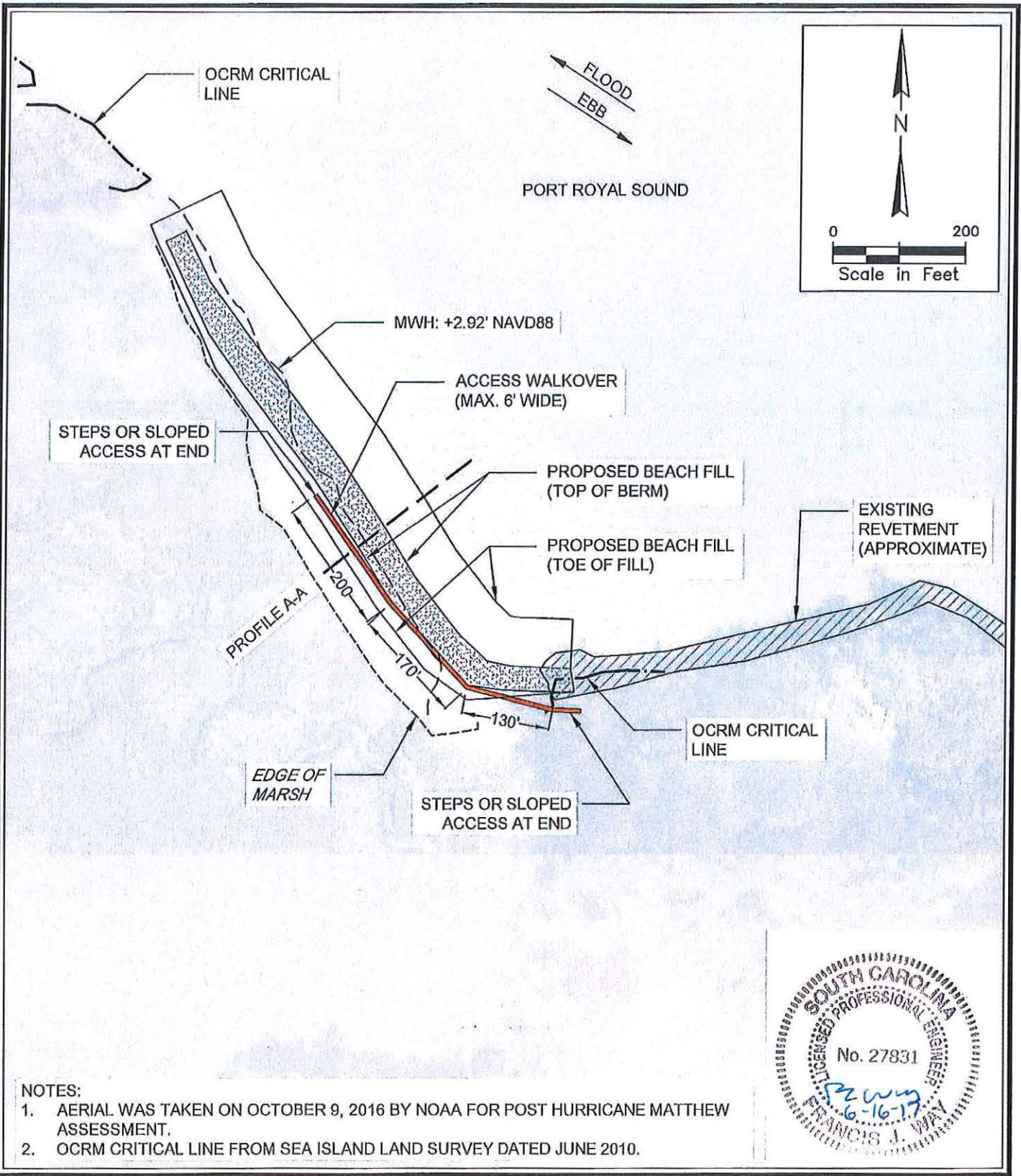
---

Applicant:  
 Hilton Head Plantation POA

WATERBODY: Port Royal Sound  
 TMS: R510 003 000 0060 0000  
 SITE ADDRESS: Dolphin Head Ln.  
 CITY: Hilton Head  
 COUNTY: Beaufort  
 STATE: South Carolina  
 LATITUDE: 32°16'4.26"N  
 LONGITUDE: 80°43'24.31"W

ACTIVE PERMIT:  
 DHEC- OCRM  
 #2004-13583-1W  
  
 JUNE 16, 2017  
 SHEET 1

FOR PERMITTING PURPOSES ONLY  
 "NOT FOR CONSTRUCTION"



NOTES:

1. AERIAL WAS TAKEN ON OCTOBER 9, 2016 BY NOAA FOR POST HURRICANE MATTHEW ASSESSMENT.
2. OCRM CRITICAL LINE FROM SEA ISLAND LAND SURVEY DATED JUNE 2010.



O:\Projects\16-2951\_Hill Pine Island Shoreline\03-bridge\DWG\16-2951-Hill-Access-Walkover.dwg (3) 6/16/17  
 NOTE: THESE DRAWINGS AND DESIGNS ARE STRICTLY CONFIDENTIAL AND PROTECTED BY INTERNATIONAL COPYRIGHT LAW. DETAILS MUST NOT BE DISCLOSED, REPRODUCED OR COMMUNICATED TO A 3rd PARTY IN ANY FORM OR MANNER WITHOUT THE PRIOR WRITTEN APPROVAL OF APPLIED TECHNOLOGY & MANAGEMENT.

**ATM**  
 APPLIED TECHNOLOGY & MANAGEMENT  
 941 Houston Northcutt Blvd, Suite 201  
 Mt Pleasant, SC 29464  
 (843) 414-1040  
 Certificate of Authorization #00395

Proposed Improvements  
 Plan View  
 Project: Pine Island Access Walkover

---

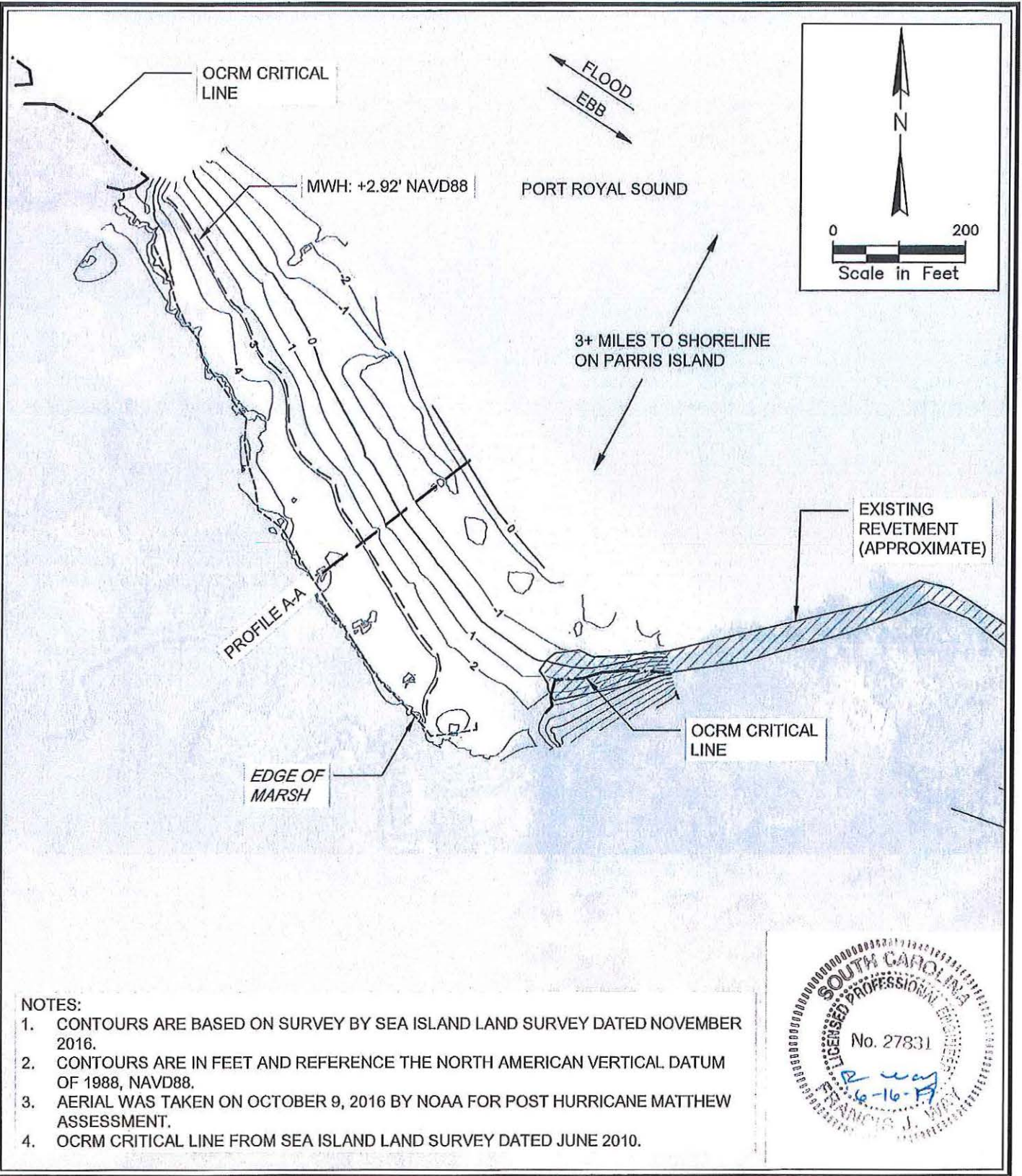
Applicant:  
 Hilton Head Plantation POA

WATERBODY: Port Royal Sound  
 TMS: R510 003 000 0060 0000  
 SITE ADDRESS: Dolphin Head Ln.  
 CITY: Hilton Head  
 COUNTY: Beaufort  
 STATE: South Carolina  
 LATITUDE: 32°16'4.26"N  
 LONGITUDE: 80°43'24.31"W

ACTIVE PERMIT:  
 DHEC-OCRM  
 #2004-13583-1W

JUNE 16, 2017  
 SHEET 3

FOR PERMITTING PURPOSES ONLY  
 "NOT FOR CONSTRUCTION"



NOTES:

1. CONTOURS ARE BASED ON SURVEY BY SEA ISLAND LAND SURVEY DATED NOVEMBER 2016.
2. CONTOURS ARE IN FEET AND REFERENCE THE NORTH AMERICAN VERTICAL DATUM OF 1988, NAVD88.
3. AERIAL WAS TAKEN ON OCTOBER 9, 2016 BY NOAA FOR POST HURRICANE MATTHEW ASSESSMENT.
4. OCRM CRITICAL LINE FROM SEA ISLAND LAND SURVEY DATED JUNE 2010.



C:\p\0515-2961-HH-Pine Island Shoreline\00-bldg\DWG\16-2961-HH-A-Access Walkover.dwg (2) 6/16/17  
 NOTE: THESE DRAWINGS AND DESIGNS ARE STRICTLY CONFIDENTIAL AND PROTECTED BY INTERNATIONAL COPYRIGHT LAW. DETAILS MUST NOT BE DISCLOSED, REPRODUCED OR COMMUNICATED TO A 3rd PARTY IN ANY FORM OR MANNER WITHOUT THE PRIOR WRITTEN APPROVAL OF APPLIED TECHNOLOGY & MANAGEMENT.

**ATM**  
 APPLIED TECHNOLOGY & MANAGEMENT  
 941 Houston Northcutt Blvd, Suite 201  
 Mt Pleasant, SC 29464  
 (843) 414-1040  
 Certificate of Authorization #00395

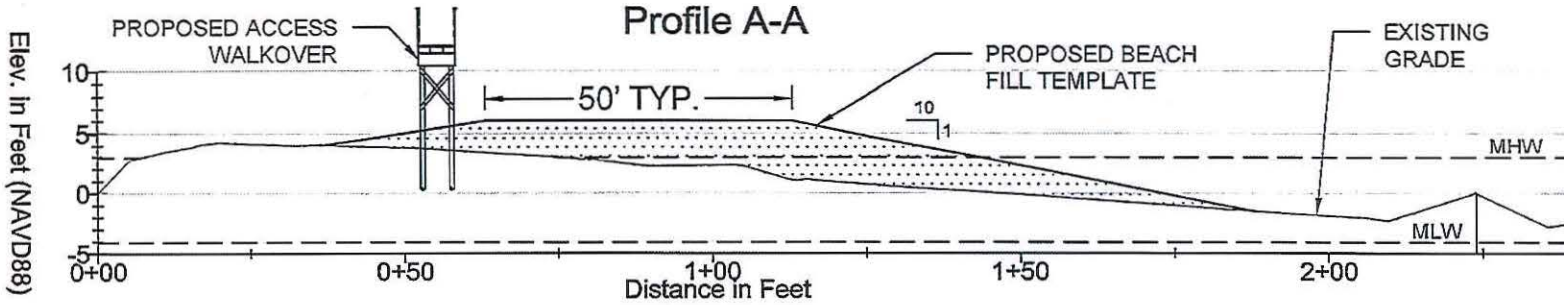
Existing Conditions  
 Plan View  
 Project: Pine Island Access Walkover

Applicant:  
 Hilton Head Plantation POA

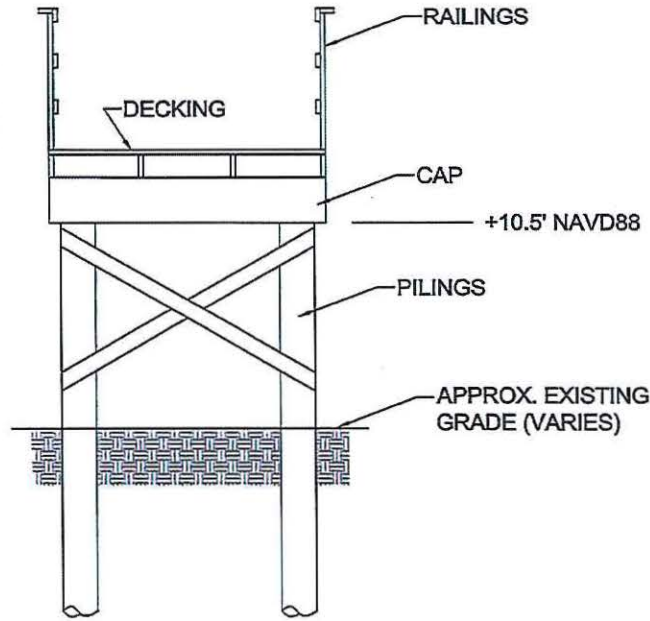
WATERBODY: Port Royal Sound  
 TMS: R510 003 000 0060 0000  
 SITE ADDRESS: Dolphin Head Ln.  
 CITY: Hilton Head  
 COUNTY: Beaufort  
 STATE: South Carolina  
 LATITUDE: 32°16'4.26"N  
 LONGITUDE: 80°43'24.31"W

ACTIVE PERMIT:  
 DHEC-OCRM  
 #2004-13583-11W

JUNE 16, 2017  
 SHEET 2



NOAA TIDE STATION 8668918, RIBAUT ISLAND, SKULL CREEK SC	
DATUM	FEET (NAVD88)
Mean Higher-High Water	3.28
Mean High Water	2.92
NAVD88	0
Mean Sea Level	-0.22
Mean Diurnal Tide Level	-0.41
Mean Low Water	-3.91
Mean Lower-Low Water	-4.11



**NOTES:**

1. WALKOVER TO BE CONSTRUCTED OF WOOD.
2. MAXIMUM WIDTH OF WALKOVER IS 6 FEET.
3. BOTTOM ELEVATION OF WALKOVER BASED ON HURRICANE MATTHEW STORM SURGE LEVELS.
4. RAILING TO EXTEND 3' ABOVE DECKING.

FOR PERMITTING PURPOSES ONLY  
 NOT FOR CONSTRUCTION

**APPLIED TECHNOLOGY & MANAGEMENT**  
 941 Houston Northcut Blvd, Suite 201  
 Mt Pleasant, SC 29564  
 (843) 414-1040  
 Certificate of Authorization #00395

Typical Profiles and Sections  
 Project: Pine Island Access Walkover  
 Applicant: Hillion Head Plantation POA

WATERBODY: Port Royal Sound  
 TMS: R510 003 000 0050 0000  
 SITE ADDRESS: Dolphin Head Ln.  
 CITY: Hilton Head  
 COUNTY: Beaufort  
 STATE: South Carolina  
 LATITUDE: 32°16'4.26"N  
 LONGITUDE: 80°43'24.31"W

ACTIVE PERMIT:  
 DHEC-OCRM #2004-15583-1W  
 JUNE 16, 2017  
 SHEET 4

