

JOINT
PUBLIC NOTICE

CHARLESTON DISTRICT, CORPS OF ENGINEERS
69A HAGOOD AVENUE
CHARLESTON, SOUTH CAROLINA 29403-5107

and

THE S.C. DEPARTMENT OF HEALTH AND ENVIRONMENTAL CONTROL
Office of Ocean and Coastal Resource Management
1362 McMillan Avenue, Suite 400
Charleston, South Carolina 29405

REGULATORY DIVISION

Refer to: P/N SAC-2017-00730

13 JUNE 2017

Pursuant to Section 10 of the Rivers and Harbors Act of 1899 (33 U.S.C. 403), Sections 401 and 404 of the Clean Water Act (33 U.S.C. 1344), and the South Carolina Coastal Zone Management Act (48-39-10 et. seq.), an application has been submitted to the Department of the Army and the S.C. Department of Health and Environmental Control by

Mr. Spencer Wetmore
The City of Folly Beach
C/o Francis Way
Applied Technology & Management
Post Office Box 20336
Charleston, South Carolina 29413

for a permit to nourish the beach and rehabilitate nine existing groins (#21-29) in waters of the

ATLANTIC OCEAN

at a location, on Folly Beach from 8th Street to 14th Street East, Charleston County, South Carolina (From Latitude: 32.6605°N, Longitude: -79.9255°W to Latitude 32.6687°N, Longitude -79.9089°W), James Island Quad.

In order to give all interested parties an opportunity to express their views

NOTICE

is hereby given that written statements regarding the proposed work will be received by the **Corps** until

15 Days from the Date of this Notice,

and **SCDHEC** will receive written statements regarding the proposed work until

30 Days from the Date of this Notice

from those interested in the activity and whose interests may be affected by the proposed work.

The proposed work consists of performing beach nourishment and repairing groins #21-29 on Folly Beach. In detail, the applicant proposes to place up to 250,000 cubic yards of clean sand

on the beach, in a 26.01 acre area between 8th Street to 14th Street East to nourish the beach. In addition, the applicant proposes to place approximately 3,470 cubic yards of rock and 1,160 cubic yards of concrete, as well as 778 cubic yards (1.13 acres) of marine mattresses on the existing groins for repair of existing groins #21-29. The proposed groin work will take place prior to, during, and following completion of the proposed sand placement. The proposed sand placement is to take place in conjunction with the upcoming Army Corps federal dredging project for the Folly River, which will include sand placement (disposal) within the project area for a beneficial use of the dredged material from the navigation channel dredging project. To minimize impacts the applicant proposes to perform construction during periods of lowest biological activity, however the construction timeline may necessitate working into the sea turtle nesting season. The applicant stated that the "construction of the project will implement best management procedures for marine/shoreline construction in the intertidal zone. Additionally, detailed downdrift analyses for the proposed project are available in the document, 'Folly Beach Downdrift Analysis'". The applicant also proposes to install sand fencing and plant native dune vegetation. The applicant stated that due to the restorative nature of the proposed project, no mitigation was proposed. The purpose of the proposed work is to stabilize the beach/dune system from 8th Street East to 14th Street East at a healthy width and elevation.

NOTE: This public notice and associated plans are available on the Corps' website at:
<http://www.sac.usace.army.mil/Missions/Regulatory/PublicNotices> .

The District Engineer has concluded that the discharges associated with this project, both direct and indirect, should be reviewed by the South Carolina Department of Health and Environmental Control in accordance with provisions of Section 401 of the Clean Water Act. As such, this notice constitutes a request, on behalf of the applicant, for certification that this project will comply with applicable effluent limitations and water quality standards. The work shown on this application must also be certified as consistent with applicable provisions of the Coastal Zone Management Program (15 CFR 930). This activity may also require evaluation for compliance with the S. C. Construction in Navigable Waters Permit Program. State review, permitting and certification is conducted by the S. C. Department of Health and Environmental Control. The District Engineer will not process this application to a conclusion until such certifications are received. The applicant is hereby advised that supplemental information may be required by the State to facilitate the review.

This notice initiates the Essential Fish Habitat (EFH) consultation requirements of the Magnuson-Stevens Fishery Conservation and Management Act. Implementation of the proposed project would impact 27.14 acres of estuarine substrates and emergent wetlands utilized by various life stages of species comprising the shrimp, and snapper-grouper management complexes. The District Engineer's initial determination is that the proposed action would not have a substantial individual or cumulative adverse impact on EFH or fisheries managed by the South Atlantic Fishery Management Council and the National Marine Fisheries Service (NMFS). The District Engineer's final determination relative to project impacts and the need for mitigation measures is subject to review by and coordination with the NMFS.

Pursuant to the Section 7 of the Endangered Species Act of 1973 (as amended), the Corps has reviewed the project area, examined all information provided by the applicant, and the District Engineer has determined, based on the most recently available information that the project may affect the loggerhead sea turtle (*Caretta caretta*), the green sea turtle (*Chelonia mydas*), the leatherback sea turtle (*Dermochelys coriacea*), the piping plover (*Charadrius melodus*), and the red knot (*Calidris canutus rufa*). A biological assessment (or other similar document) detailing our analysis of the potential effects of the action will be provided to the U.S. Fish and Wildlife Service

and/or the National Marine Fisheries Service.

Pursuant to Section 106 of the National Historic Preservation Act (NHPA), this public notice also constitutes a request to Indian Tribes to notify the District Engineer of any historic properties of religious and cultural significance to them that may be affected by the proposed undertaking.

In accordance with Section 106 of the NHPA, the District Engineer has consulted South Carolina ArchSite (GIS), for the presence or absence of historic properties (as defined in 36 C.F.R. 800.16)(1)(1)), and has initially determined that no historic properties are present; therefore, there will be no effect on historic properties. To ensure that other historic properties that the District Engineer is not aware of are not overlooked, this public notice also serves as a request to the State Historic Preservation Office and any other interested parties to provide any information they may have with regard to historic properties. This public notice serves as a request for concurrence within 30 days from the SHPO (and/or Tribal Historic Preservation Officer).

The District Engineer's final eligibility and effect determination will be based upon coordination with the SHPO and/or THPO, as appropriate and required and with full consideration given to the proposed undertaking's potential direct and indirect effects on historic properties within the Corps-identified permit area.

Any person may request, in writing, within the comment period specified in this notice, that a public hearing be held to consider this application. Requests for a public hearing shall state, with particularity, the reasons for holding a public hearing.

The decision whether to issue a permit will be based on an evaluation of the probable impact including cumulative impacts of the activity on the public interest and will include application of the guidelines promulgated by the Administrator, Environmental Protection Agency (EPA), under authority of Section 404(b) of the Clean Water Act. That decision will reflect the national concern for both protection and utilization of important resources. The benefit which reasonably may be expected to accrue from the project must be balanced against its reasonably foreseeable detriments. All factors which may be relevant to the project will be considered including the cumulative effects thereof; among those are conservation, economics, aesthetics, general environmental concerns, wetlands, historic properties, fish and wildlife values, flood hazards, flood plain values, land use, navigation, shoreline erosion and accretion, recreation, water supply and conservation, water quality, energy needs, safety, food and fiber production and, in general, the needs and welfare of the people. A permit will be granted unless the District Engineer determines that it would be contrary to the public interest. In cases of conflicting property rights, the Corps cannot undertake to adjudicate rival claims.

The Corps is soliciting comments from the public; Federal, state, and local agencies and officials; Indian Tribes; and other interested parties in order to consider and evaluate the impacts of this activity. Any comments received will be considered by the Corps to determine whether to issue, modify, condition or deny a permit for this project. To make this decision, comments are used to assess impacts on endangered species, historic properties, water quality, general environmental effects, and the other public interest factors listed above. Comments are used in the preparation of an Environmental Assessment and/or an Environmental Impact Statement pursuant to the National Environmental Policy Act. Comments are also used to determine the need for a public hearing and to determine the overall public interest of the activity. **Please submit**

REGULATORY DIVISION
P/N SAC-2017-00730

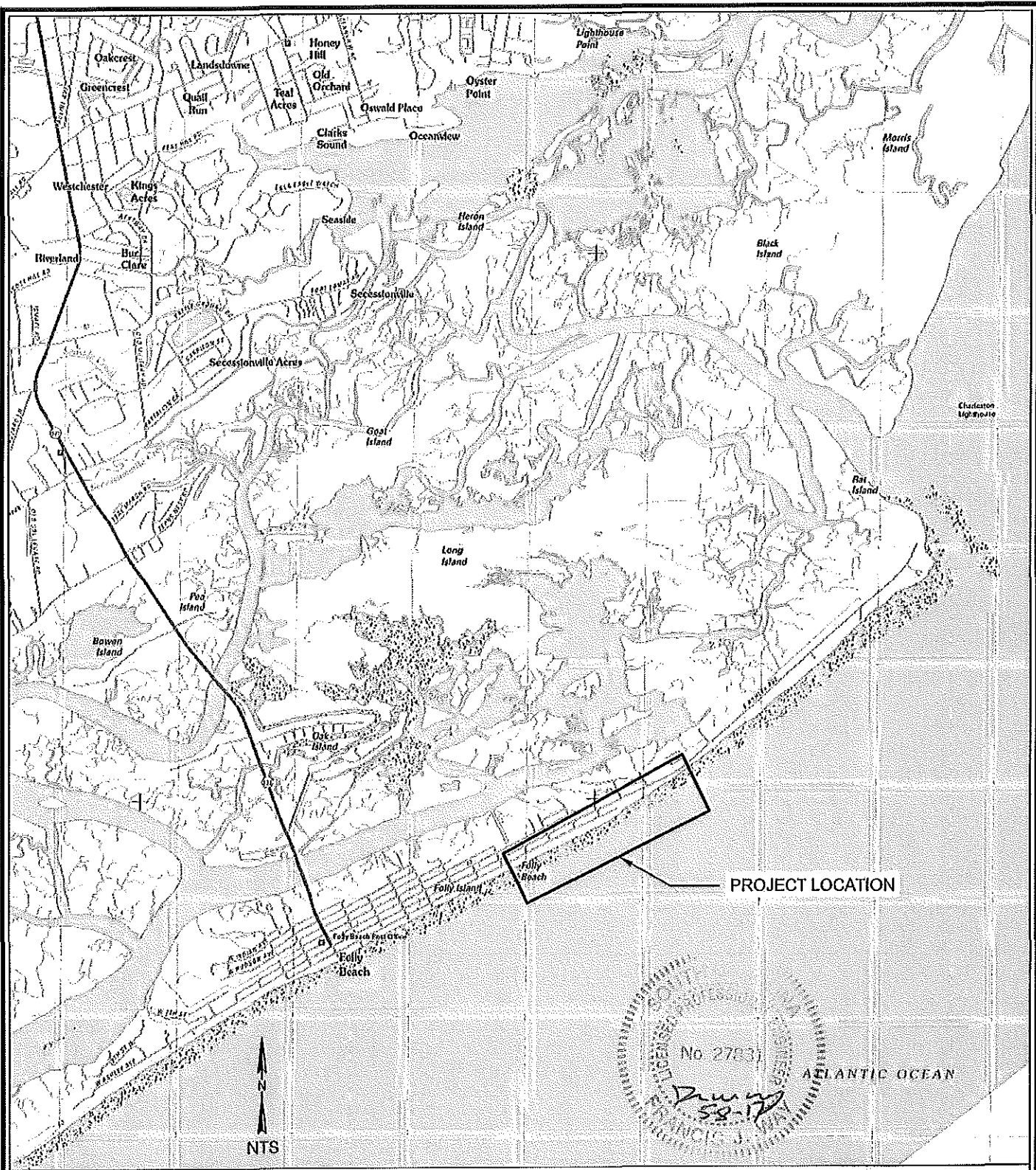
13 JUNE 2017

**comments in writing, identifying the project of interest by public notice number,
to the following address:**

**U.S. Army Corps of Engineers
ATTN: REGULATORY DIVISION
69A HAGOOD AVENUE
CHARLESTON, SOUTH CAROLINA 29403-5107**

If there are any questions concerning this public notice, please contact Mary Hope Green
Project Manager, at (843) 329-8044 X 8034 or toll free at 1-866-329-8187.

FOR PERMITTING PURPOSES ONLY
 "NOT FOR CONSTRUCTION"

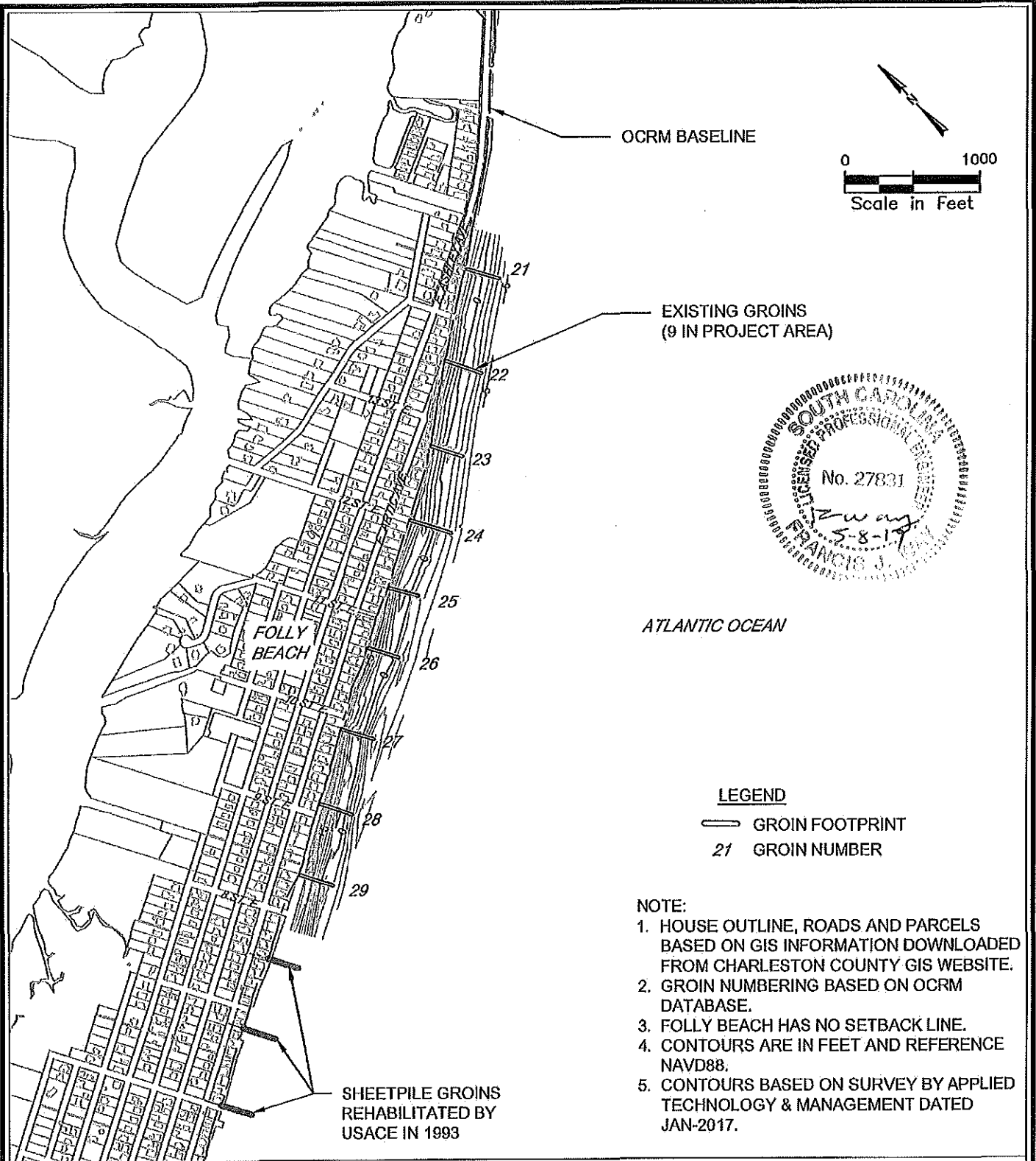


PROJECT: Folly Beach 8th to 14th St. E. Beach & Dune Stabilization Project
 WATERBODY: Atlantic Ocean
 COUNTY: Charleston
 STATE: South Carolina
 LATITUDE: 32°40'2.87"N
 LONGITUDE: 79°54'38.02"W

LOCATION MAP
 Applicant: City of Folly Beach
 Project Location: Folly Beach, SC
 SAC-2017-00730

ATM
 APPLIED TECHNOLOGY & MANAGEMENT
ATM
 May 8, 2017
 SHEET 1

FOR PERMITTING PURPOSES ONLY
 "NOT FOR CONSTRUCTION"



ATLANTIC OCEAN

LEGEND

- GROIN FOOTPRINT
- 21** GROIN NUMBER

NOTE:

1. HOUSE OUTLINE, ROADS AND PARCELS BASED ON GIS INFORMATION DOWNLOADED FROM CHARLESTON COUNTY GIS WEBSITE.
2. GROIN NUMBERING BASED ON OCRM DATABASE.
3. FOLLY BEACH HAS NO SETBACK LINE.
4. CONTOURS ARE IN FEET AND REFERENCE NAVD88.
5. CONTOURS BASED ON SURVEY BY APPLIED TECHNOLOGY & MANAGEMENT DATED JAN-2017.

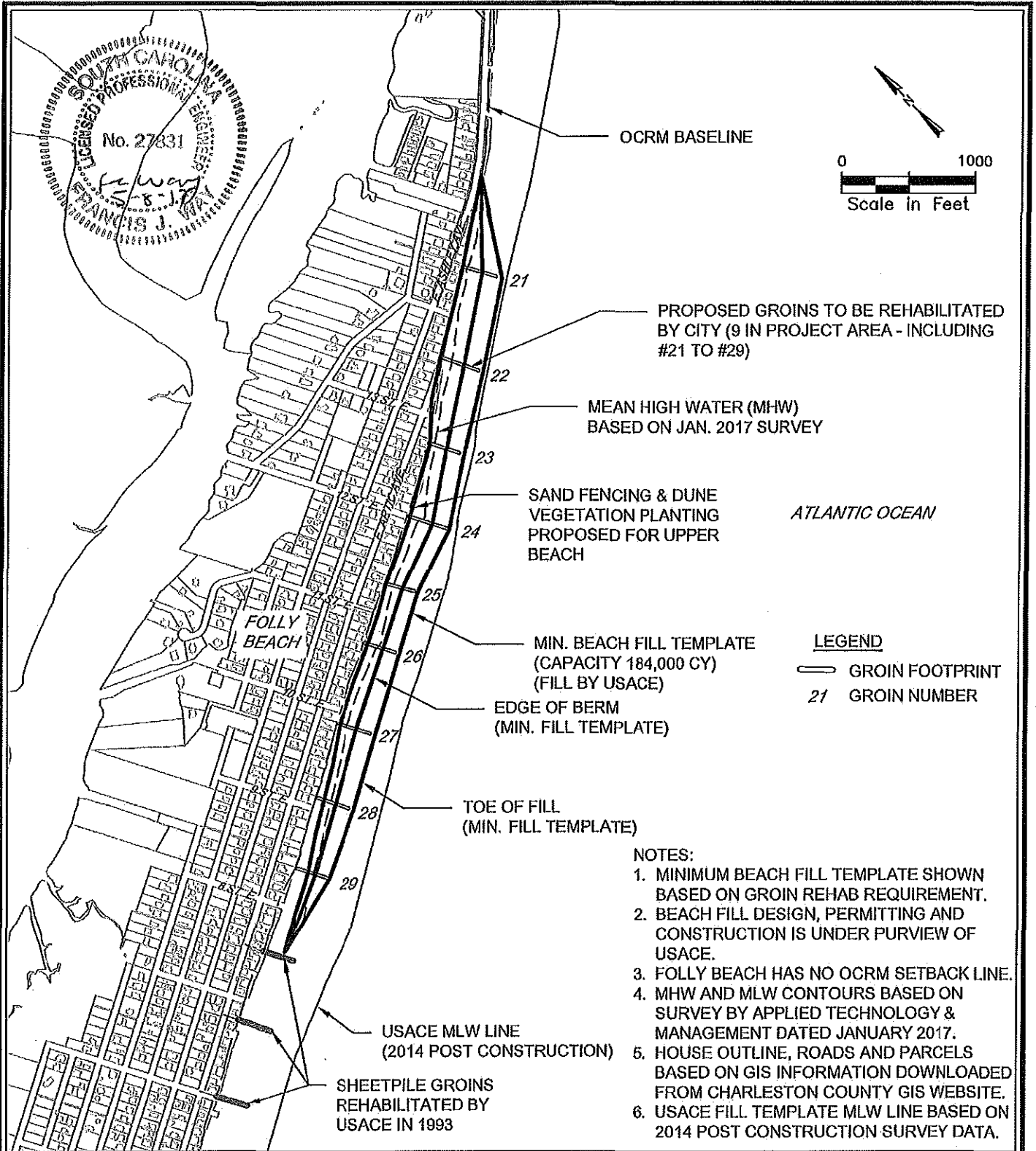
PROJECT:	Folly Beach 8th to 14th St. E. Beach & Dune Stabilization Project
WATERBODY:	Atlantic Ocean
COUNTY:	Charleston
STATE:	South Carolina
LATITUDE:	32°40'2.67"N
LONGITUDE:	79°54'38.02"W

EXISTING CONDITIONS
Applicant: City of Folly Beach
Project Location: Folly Beach, SC
SAC-2017-00730

ATM
 APPLIED TECHNOLOGY & MANAGEMENT

May 8, 2017
 SHEET 2

FOR PERMITTING PURPOSES ONLY
 "NOT FOR CONSTRUCTION"



PROJECT: Folly Beach 8th to 14th St. E. Beach & Dune Stabilization Project
 WATERBODY: Atlantic Ocean
 COUNTY: Charleston
 STATE: South Carolina
 LATITUDE: 32°40'2.67"N
 LONGITUDE: 79°54'38.02"W

PROPOSED PROJECT
 GROIN REHABILITATION

Applicant: City of Folly Beach

Project Location: Folly Beach, SC

SAC - 2017 - 00730

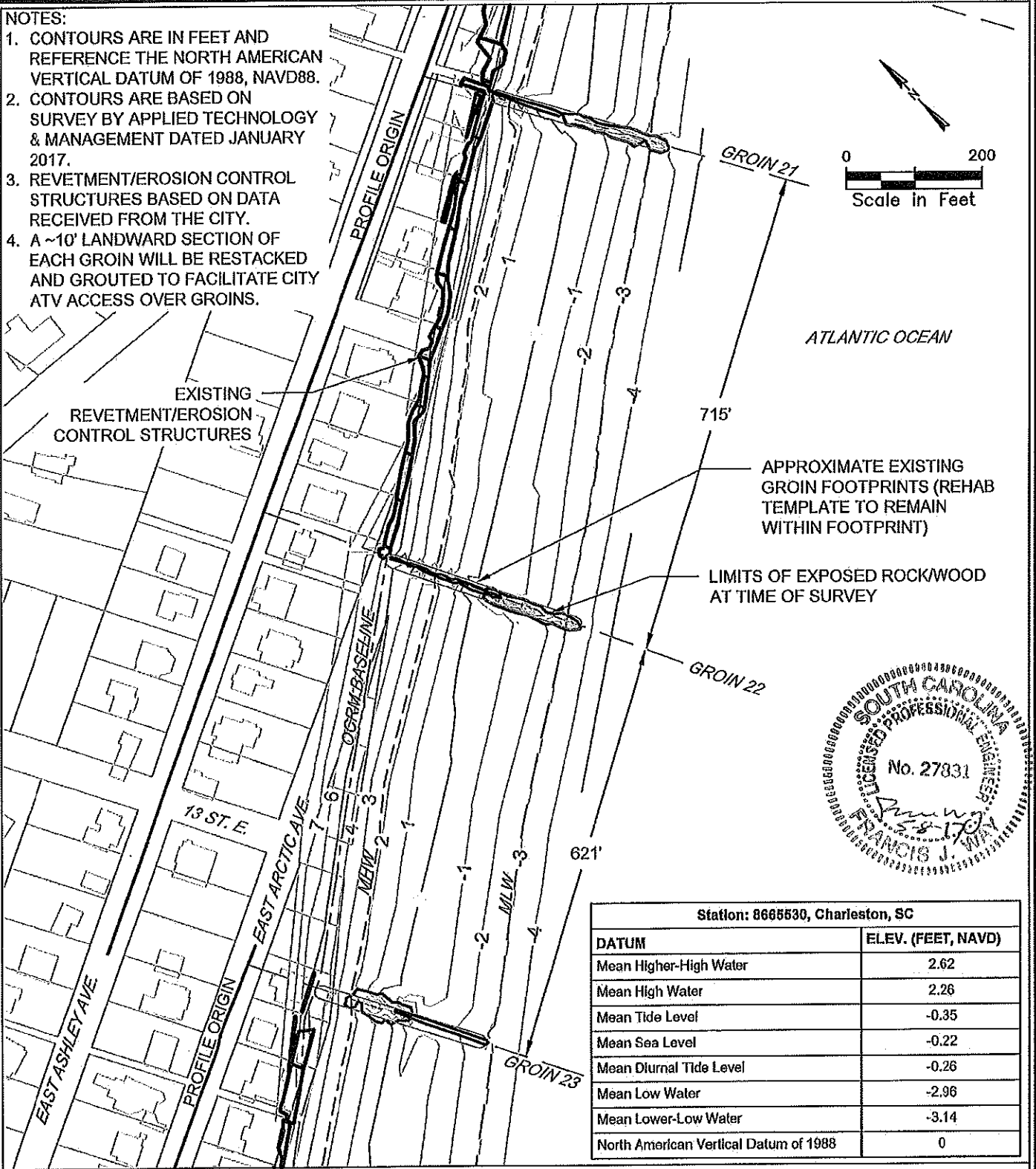
ATM
 APPLIED TECHNOLOGY & MANAGEMENT

May 8, 2017
 SHEET 3

**FOR PERMITTING PURPOSES ONLY
"NOT FOR CONSTRUCTION"**

NOTES:

1. CONTOURS ARE IN FEET AND REFERENCE THE NORTH AMERICAN VERTICAL DATUM OF 1988, NAVD88.
2. CONTOURS ARE BASED ON SURVEY BY APPLIED TECHNOLOGY & MANAGEMENT DATED JANUARY 2017.
3. REVETMENT/EROSION CONTROL STRUCTURES BASED ON DATA RECEIVED FROM THE CITY.
4. A ~10' LANDWARD SECTION OF EACH GROIN WILL BE RESTACKED AND GROUTED TO FACILITATE CITY ATV ACCESS OVER GROINS.



Station: 8665530, Charleston, SC

DATUM	ELEV. (FEET, NAVD)
Mean Higher-High Water	2.62
Mean High Water	2.26
Mean Tide Level	-0.35
Mean Sea Level	-0.22
Mean Diurnal Tide Level	-0.26
Mean Low Water	-2.96
Mean Lower-Low Water	-3.14
North American Vertical Datum of 1988	0

PROJECT: Folly Beach 8th to 14th St. E. Beach & Dune Stabilization Project

WATERBODY: Atlantic Ocean

COUNTY: Charleston

STATE: South Carolina

LATITUDE: 32°40'2.67"N

LONGITUDE: 79°54'38.02"W

**EXISTING CONDITIONS
GROINS 21 - 23**

Applicant: City of Folly Beach

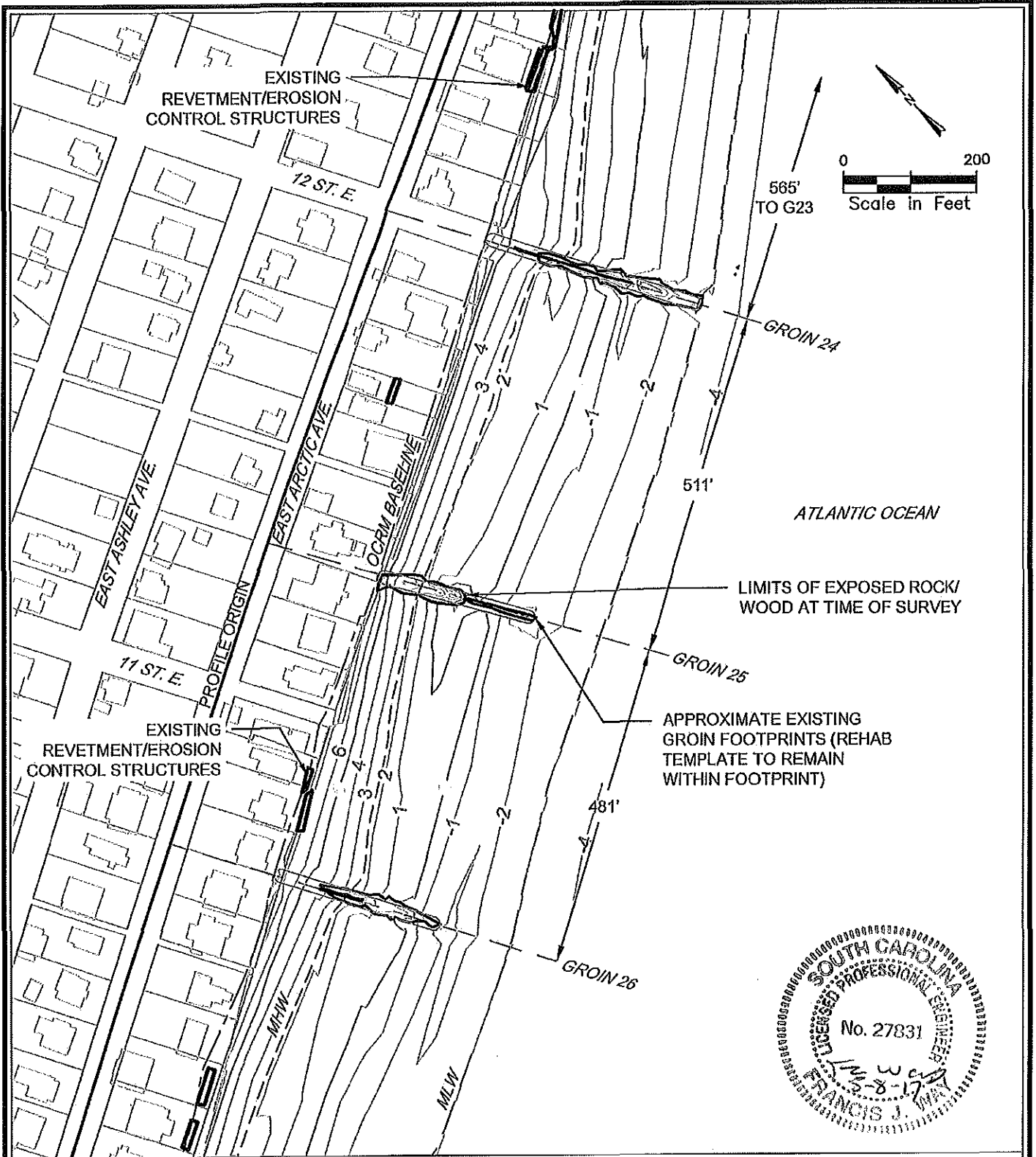
Project Location: Folly Beach, SC


SAC-2017-00730

ATM
APPLIED TECHNOLOGY & MANAGEMENT

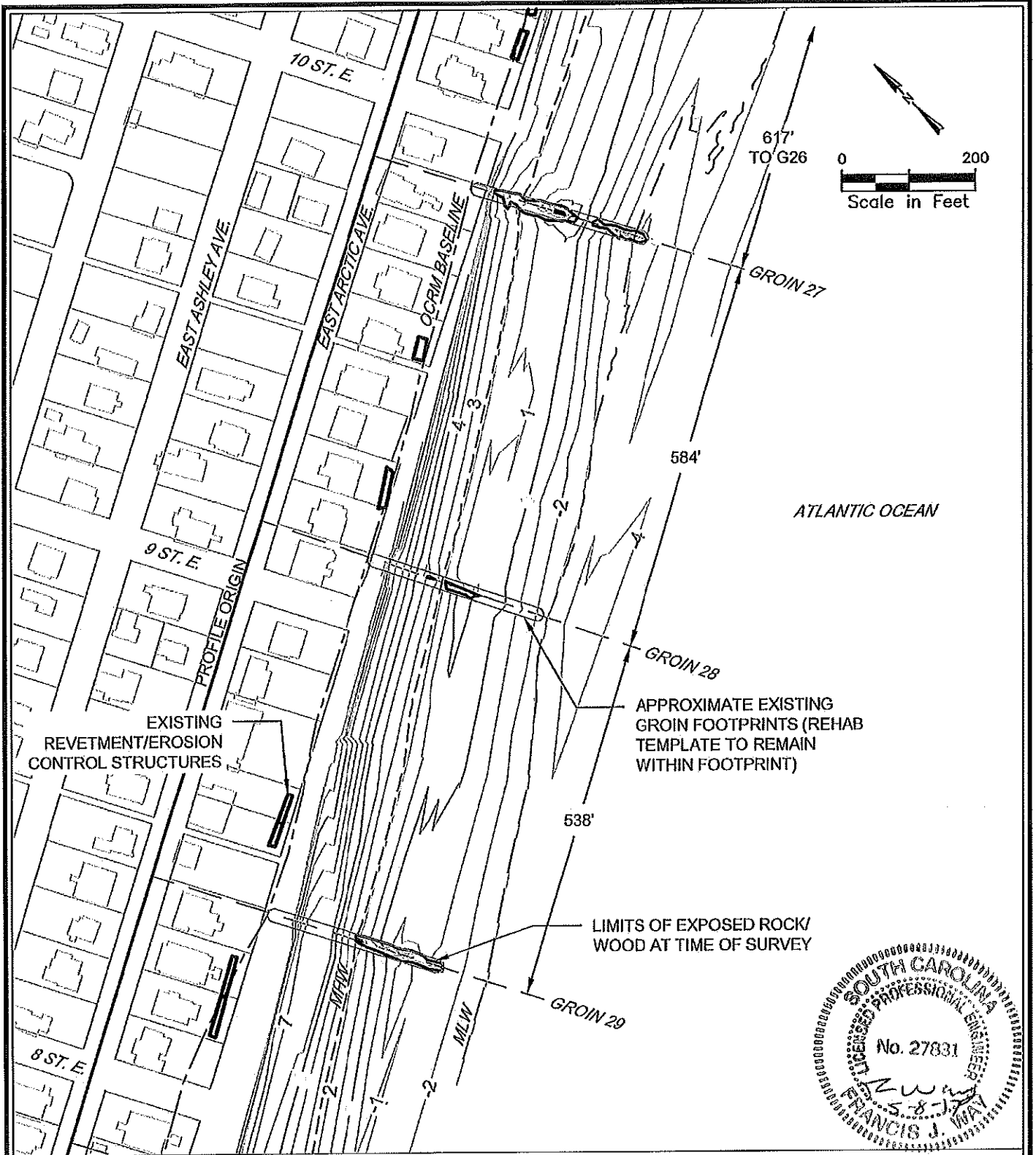
May 8, 2017
SHEET 4

FOR PERMITTING PURPOSES ONLY
 "NOT FOR CONSTRUCTION"



PROJECT: Folly Beach 8th to 14th St. E. Beach & Dune Stabilization Project WATERBODY: Atlantic Ocean COUNTY: Charleston STATE: South Carolina LATITUDE: 32°40'2.67"N LONGITUDE: 79°54'38.02"W	EXISTING CONDITIONS GROINS 24 - 26	 May 8, 2017 SHEET 5
	Applicant: City of Folly Beach	
	Project Location: Folly Beach, SC	
	SAC-2017-00730	

FOR PERMITTING PURPOSES ONLY
 "NOT FOR CONSTRUCTION"



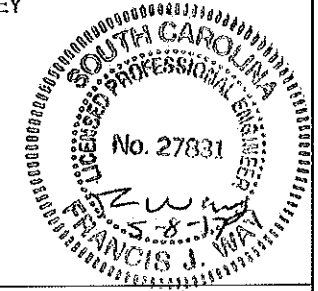
PROJECT: Folly Beach 8th to 14th St. E. Beach & Dune Stabilization Project
 WATERBODY: Atlantic Ocean
 COUNTY: Charleston
 STATE: South Carolina
 LATITUDE: 32°40'2.67"N
 LONGITUDE: 79°54'38.02"W

EXISTING CONDITIONS
 GROINS 27-29

Applicant: City of Folly Beach

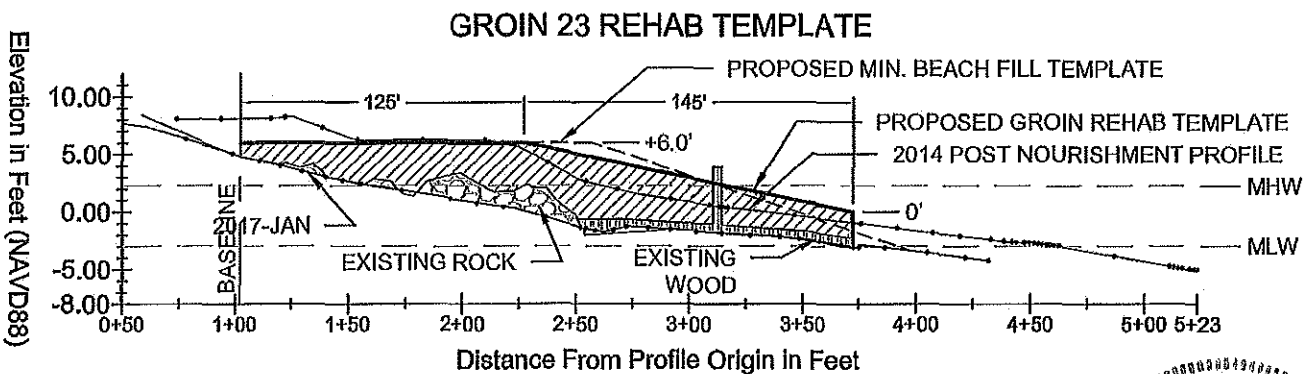
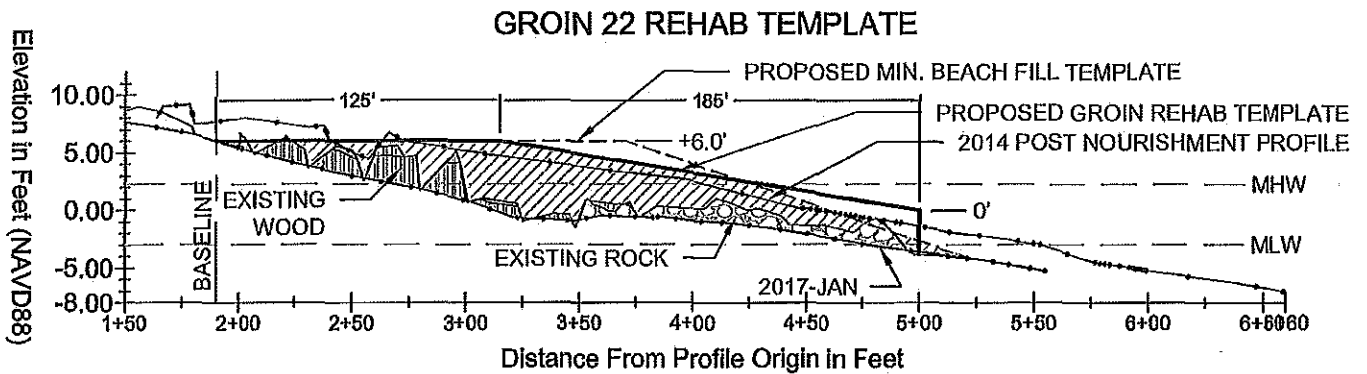
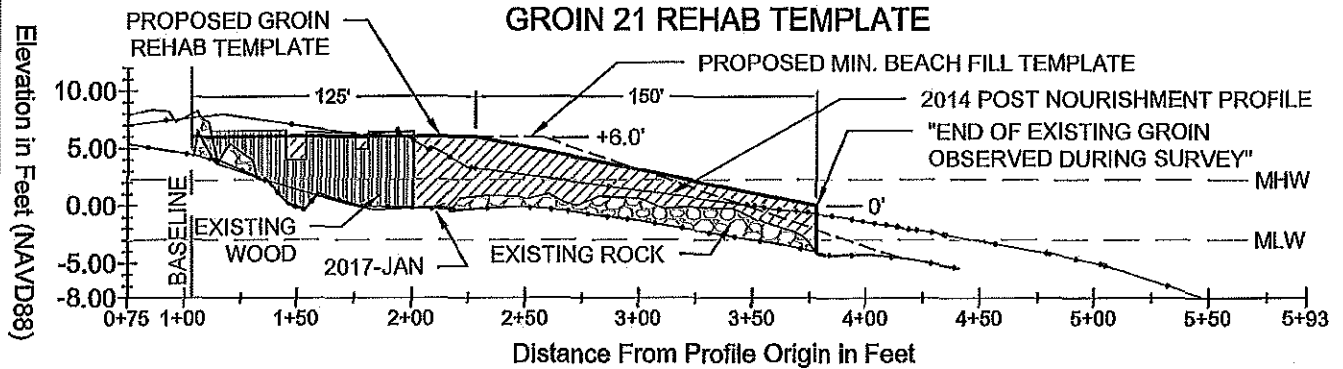
Project Location: Folly Beach, SC

SAC-2017-00730



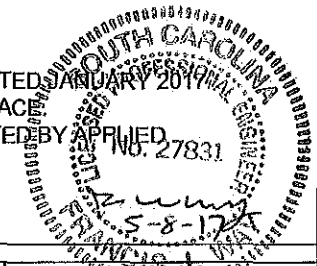
May 8, 2017
 SHEET 6

FOR PERMITTING PURPOSES ONLY
 "NOT FOR CONSTRUCTION"



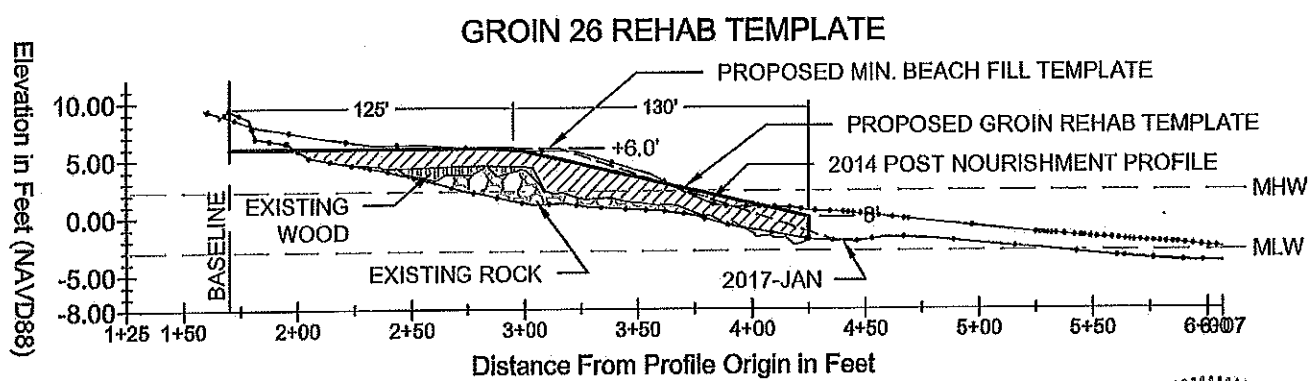
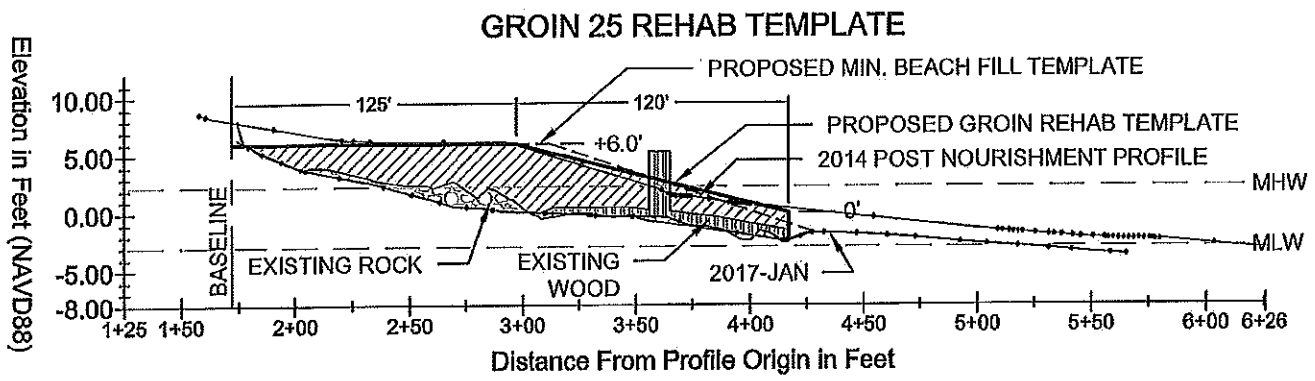
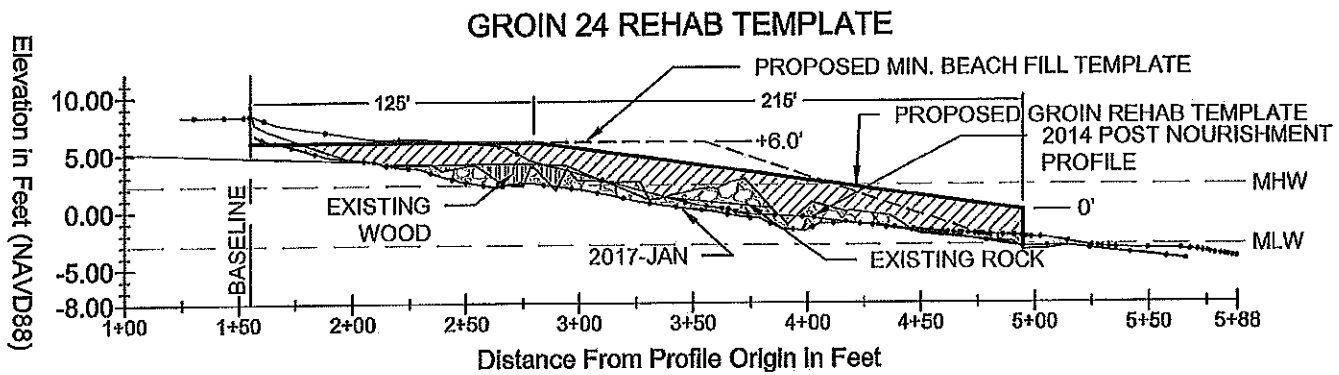
NOTES:

1. PROFILES ARE BASED ON SURVEY BY APPLIED TECHNOLOGY & MANAGEMENT DATED JANUARY 2017.
2. 2014 POST NOURISHMENT PROFILE BASED ON SURVEY DATA RECEIVED FROM USACE.
3. 2017-JAN PROFILE AND EXISTING ROCK/WOOD BASED ON SURVEY DATA COLLECTED BY APPLIED TECHNOLOGY & MANAGEMENT.

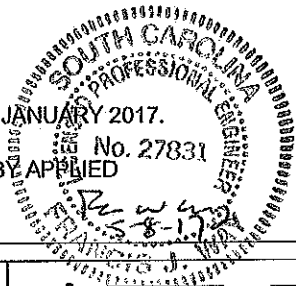


PROJECT:	Folly Beach 8th to 14th St. E. Beach & Dune Stabilization Project	PROPOSED GROIN PROFILES GROINS 21- 23	 May 8, 2017 SHEET 7
WATERBODY:	Atlantic Ocean	Applicant: City of Folly Beach	
COUNTY:	Charleston	Project Location: Folly Beach, SC	
STATE:	South Carolina	SAC-2017-00730	
LATITUDE:	32°40'2.67"N		
LONGITUDE:	79°54'38.02"W		

FOR PERMITTING PURPOSES ONLY
 "NOT FOR CONSTRUCTION"

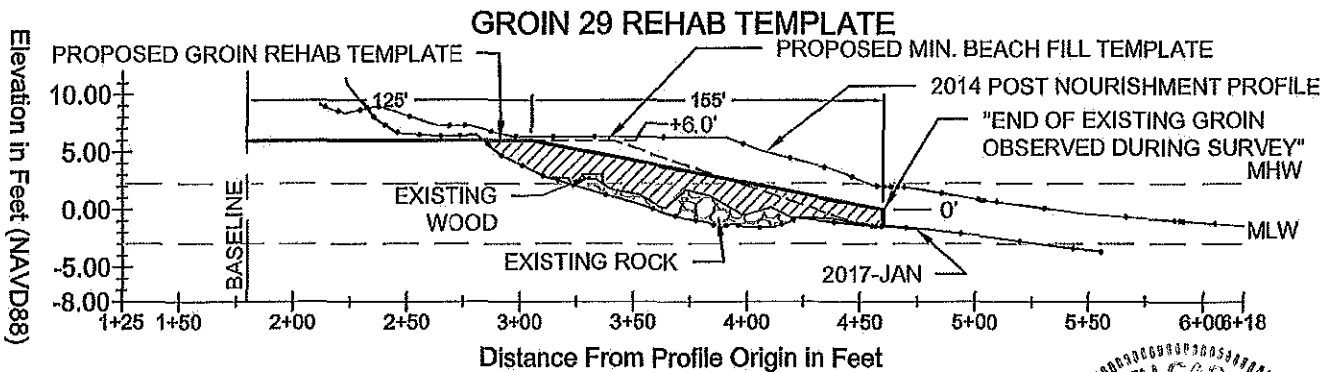
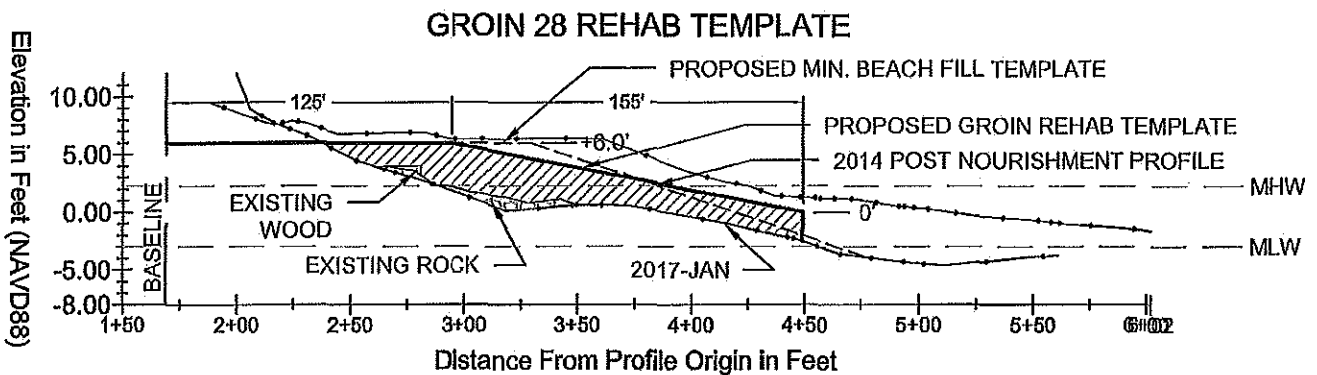
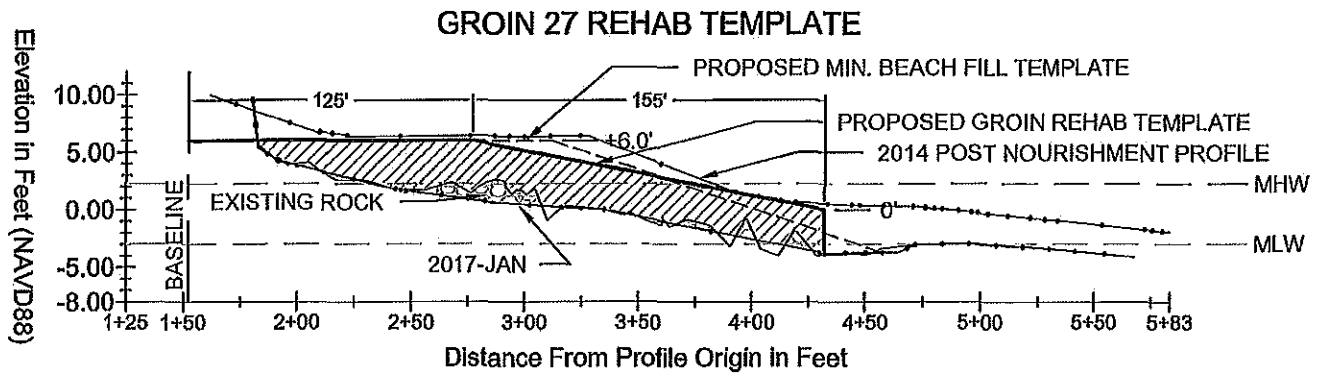


- NOTES:**
1. PROFILES ARE BASED ON SURVEY BY APPLIED TECHNOLOGY & MANAGEMENT DATED JANUARY 2017.
 2. 2014 POST NOURISHMENT PROFILE BASED ON SURVEY DATA RECEIVED FROM USACE.
 3. 2017-JAN PROFILE AND EXISTING ROCKWOOD BASED ON SURVEY DATA COLLECTED BY APPLIED TECHNOLOGY & MANAGEMENT.



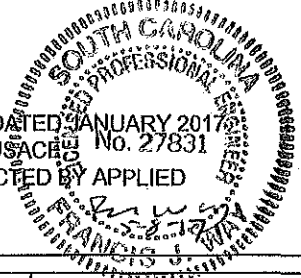
<p>PROJECT: Folly Beach 8th to 14th St. E. Beach & Dune Stabilization Project</p> <p>WATERBODY: Atlantic Ocean</p> <p>COUNTY: Charleston</p> <p>STATE: South Carolina</p> <p>LATITUDE: 32°40'2.67"N</p> <p>LONGITUDE: 79°54'38.02"W</p>	<p>PROPOSED GROIN PROFILES GROINS 24-26</p> <p>Applicant: City of Folly Beach</p> <p>Project Location: Folly Beach, SC</p> <p style="font-size: 1.2em; font-weight: bold;">SAC-2017-00730</p>	<p>May 8, 2017 SHEET 8</p>
---	--	--------------------------------

FOR PERMITTING PURPOSES ONLY
 "NOT FOR CONSTRUCTION"



NOTES:

1. PROFILES ARE BASED ON SURVEY BY APPLIED TECHNOLOGY & MANAGEMENT DATED JANUARY 2017.
2. 2014 POST NOURISHMENT PROFILE BASED ON SURVEY DATA RECEIVED FROM USACE No. 27831
3. 2017-JAN PROFILE AND EXISTING ROCK/WOOD BASED ON SURVEY DATA COLLECTED BY APPLIED TECHNOLOGY & MANAGEMENT.



PROJECT: Folly Beach 8th to 14th St. E. Beach & Dune Stabilization Project
 WATERBODY: Atlantic Ocean
 COUNTY: Charleston
 STATE: South Carolina
 LATITUDE: 32°40'2.67"N
 LONGITUDE: 79°54'38.02"W

PROPOSED GROIN PROFILES
 GROINS 27- 29

Applicant: City of Folly Beach

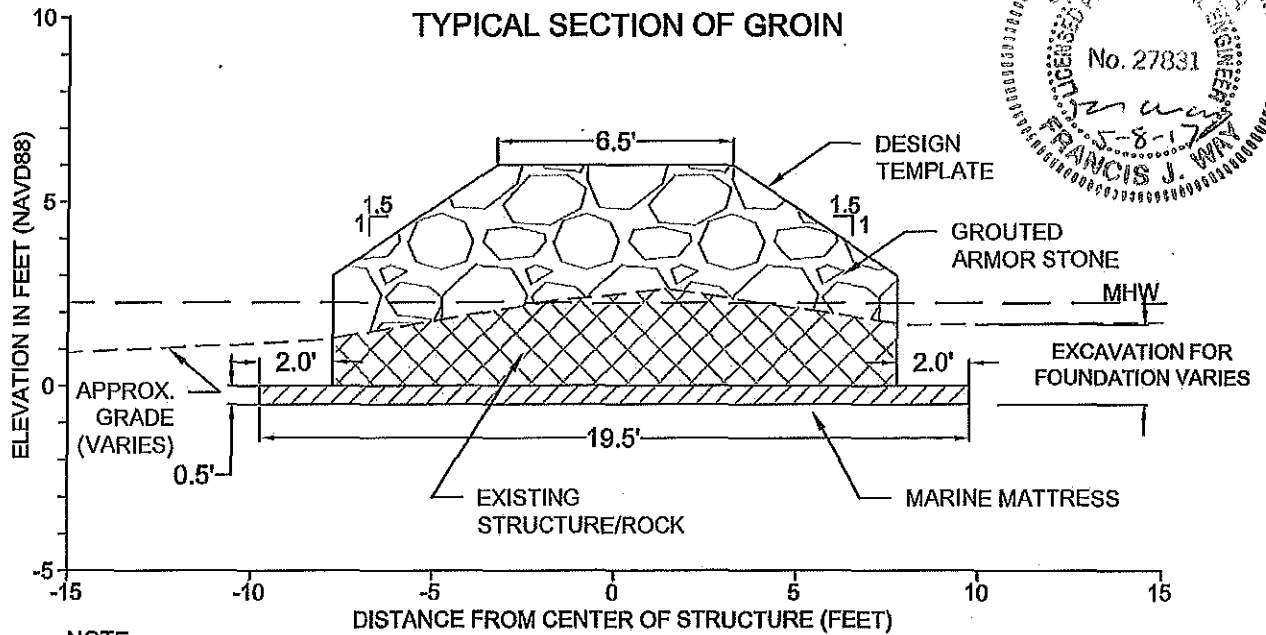
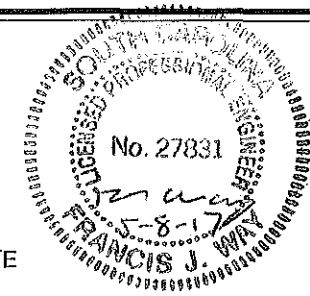
Project Location: Folly Beach, SC

SAC-2017-00730



May 8, 2017
 SHEET 9

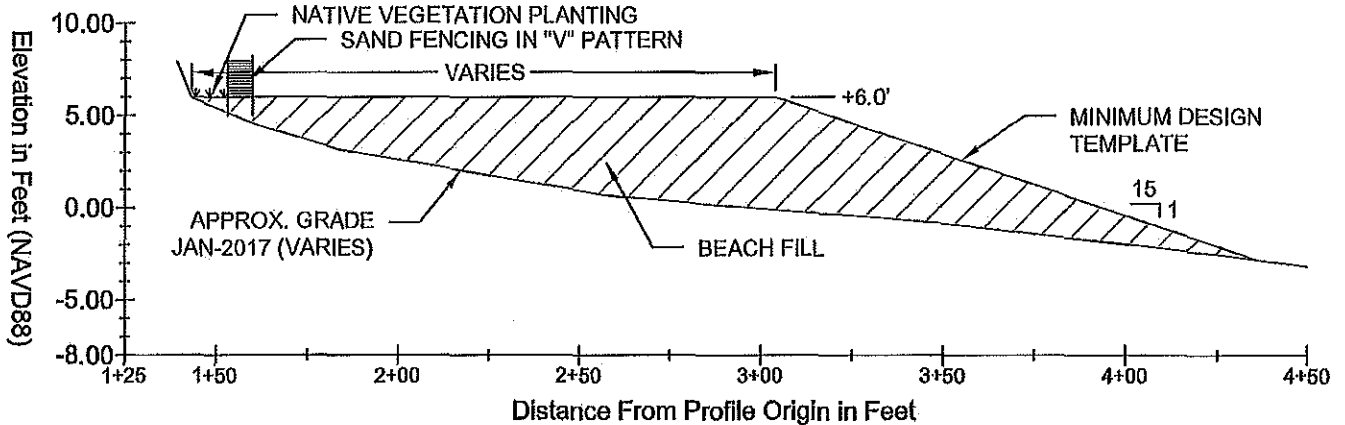
FOR PERMITTING PURPOSES ONLY
 "NOT FOR CONSTRUCTION"



NOTE:

1. EXISTING ROCK WILL BE RESTACKED AND REINCORPORATED BACK INTO THE STRUCTURE.
2. A ~10' LANDWARD SECTION OF EACH GROIN WILL BE RESTACKED AND GROUTED TO FACILITATE CITY ATV ACCESS OVER GROINS.

TYPICAL MINIMUM BEACH FILL PROFILE



NOTE:

1. MINIMUM BEACH FILL PROFILE REQUIRED FOR GROIN REHABILITATION SHOWN.
2. DESIGN, PERMITTING AND CONSTRUCTION OF BEACH FILL UNDER PURVIEW OF USAGE (WITH SOME INPUT FROM CITY).

PROJECT: Folly Beach 8th to 14th St. E. Beach & Dune Stabilization Project
WATERBODY: Atlantic Ocean
COUNTY: Charleston
STATE: South Carolina
LATITUDE: 32°40'2.67"N
LONGITUDE: 79°54'38.02"W

TYPICAL GROIN & BEACH FILL CROSS SECTIONS

Applicant: City of Folly Beach

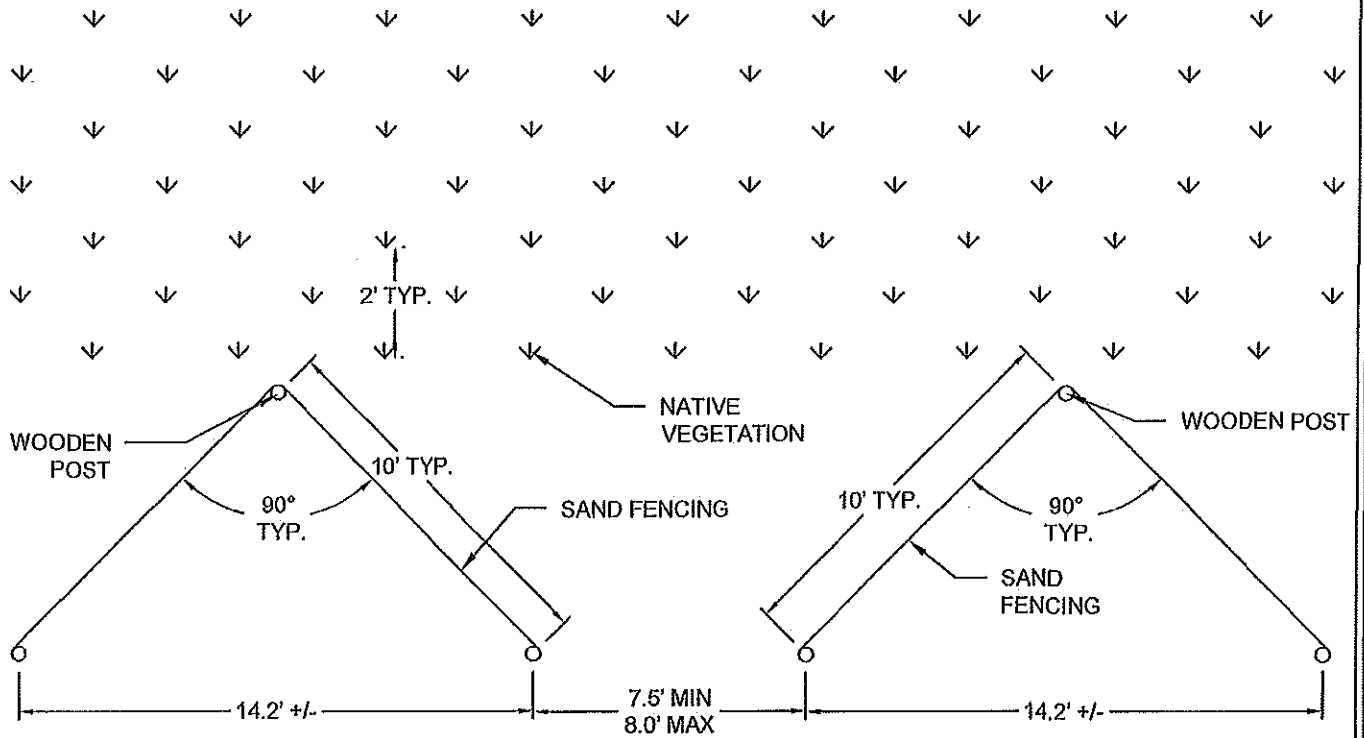
Project Location: Folly Beach, SC

SAC-2017-00730



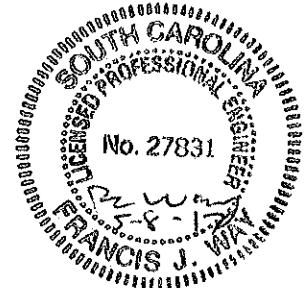
May 8, 2017
 SHEET 10

**FOR PERMITTING PURPOSES ONLY
"NOT FOR CONSTRUCTION"**



NOTE:

1. SAND FENCING PROPOSED BY CITY TO AUGMENT USACE EFFORTS.
2. SAND FENCING & VEGETATION BY CITY WILL ADHERE TO USACE FOLLY BEACH SAND FENCING DUNE VEGETATION PLANS.
3. NATIVE DUNE VEGETATION TO BE PLANTED LANDWARD OF SAND FENCING.
4. ONLY COMPLETE FENCE PANELS SHALL BE INSTALLED BETWEEN WALKOVERS AND OTHER STRUCTURES. CONTRACTOR SHALL BEGIN FENCING 7.5 FEET FROM WALKOVER OR STRUCTURE AND CONTINUE UNTIL COMPLETE FENCE PANEL CANNOT MEET 7.5 FT SPACING REQUIREMENT
5. PLANTS SHALL NOT BE PLANTED UNDER WALKOVERS OR IN FRONT OF ANY PUBLIC OR PRIVATE ACCESSSES.
6. 10 FT FENCE PANELS SHOULD HAVE FENCING ATTACHED TO POST IN V-SECTION FENCING.
7. NO FENCING OR POST SHALL BE PLACED WITHIN 7.5 FT OF ANY HARD STRUCTURE.
8. DUNE PROTECTION SIGN WILL BE PLACED ON BOTH OCEAN AND LANDWARD SIDE AT PUBLIC AND EMERGENCY ACCESSSES WITHIN THE PLANTING AREA. ONE SIGN WILL BE PLACED ON THE LANDWARD SIDE AND ONE ON THE OCEAN SIDE.



<p>PROJECT: Folly Beach 8th to 14th St. E. Beach & Dune Stabilization Project</p> <p>WATERBODY: Atlantic Ocean</p> <p>COUNTY: Charleston</p> <p>STATE: South Carolina</p> <p>LATITUDE: 32°40'2.67"N</p> <p>LONGITUDE: 79°54'38.02"W</p>	<p>TYPICAL DUNE PLANTING AND SAND FENCING DETAILS</p> <p>Applicant: City of Folly Beach</p> <p>Project Location: Folly Beach, SC</p> <p style="font-size: 1.2em; font-weight: bold;">SAC-2017-00730</p>	<p>ATM APPLIED TECHNOLOGY & MANAGEMENT</p> <p>May 8, 2017 SHEET 11</p>
---	--	---