

JOINT
PUBLIC NOTICE

CHARLESTON DISTRICT, CORPS OF ENGINEERS
69A Hagood Avenue
Charleston, South Carolina 29403-5107
and

THE S.C. DEPARTMENT OF HEALTH AND ENVIRONMENTAL CONTROL
Office of Environmental Quality Control
Water Quality Certification and Wetlands Programs Section
2600 Bull Street
Columbia, South Carolina 29201

REGULATORY DIVISION
Refer to: P/N #2013-00138-2R

March 13, 2013

Pursuant to Section 10 of the Rivers and Harbors Act of 1899 (33 U.S.C. 403), Sections 401 and 404 of the Clean Water Act (33 U.S.C. 1344), the South Carolina Coastal Zone Management Act (48-39-10 et.seq.), and the S.C. Construction in Navigable Waters Permit Program (R. 19-450, et. seq., 1976 S.C. Code of Laws, as amended), an application has been submitted to the Department of the Army and the S.C. Department of Health and Environmental Control by

**BP AMOCO CHEMICAL COMPANY
C/O MARIANNE ANDREWS
1306 AMOCO DRIVE
WANDO, SOUTH CAROLINA 29492-7879**

for a permit to perform maintenance dredging in

GROVE CREEK

on the eastern side of the Cooper River, at the BP Amoco Chemical Company located on Amoco Drive in Wando, Berkeley County, South Carolina. Latitude: 32.977241 N; Longitude: -79.903049 W.

In order to give all interested parties an opportunity to express their views

NOTICE

is hereby given that written statements regarding the proposed work will be received by the **Corps** until

15 Days from the Date of this Notice

and **SCDHEC** will receive written statements regarding the proposed work until

30 Days from the Date of this Notice

from those interested in the activity and whose interests may be affected by the proposed work.

The proposed work consists of maintenance dredging the barge slip and entrance channel of Grove Creek, a tributary of the Cooper River. In detail, 2800 linear feet of Grove Creek will be dredged to a depth of -10' MLW using a hydraulic dredge. Approximately 11,500 cubic yards of material will be dredged over a 16.8 acre area. The dredged material will be pumped via pipeline to an upland confined disposal facility (CDF) constructed specifically for this dredging project. The CDF will be designed with internal baffles to promote settling. The CDF will provide at least 10 days of residence time between the point where dredged materials are discharged into the

CDF and the CDF outlet weir. Elutriate will be discharge through a stilling basin to allow further settling, and will then flow through a stone filter ring to remove particulate material from the return flow. The elutriate will discharge as sheet flow over an existing grassed area and wooded buffer prior to discharge to Grove Creek. The channel and barge slip are used to provide access for transportation of large pieces of equipment from the Port of Charleston to the plant site. The channel and barge slip are not used for transportation or shipment of chemicals, petroleum, or lubricants. Mitigation is not proposed and sediment testing is not planned at this time. The purpose of the project is to remove accumulated sediment from the BP Amoco Chemical Company Grove Creek barge slip and entrance channel to allow barges with heavy equipment to access the barge slip.

NOTE: Plans depicting the work described in this notice are available and will be provided, upon receipt of a written request, to anyone that is interested in obtaining a copy of the plans for the specific project. The request must identify the project of interest by public notice number and a self-addressed stamped envelope must also be provided for mailing the drawings to you. Your request for drawings should be addressed to the

**U.S. Army Corps of Engineers
ATTN: REGULATORY DIVISION
69A Hagood Avenue
Charleston, South Carolina 29403-5107**

The District Engineer has concluded that the discharges associated with this project, both direct and indirect, should be reviewed by the South Carolina Department of Health and Environmental Control in accordance with provisions of Section 401 of the Clean Water Act. As such, this notice constitutes a request, on behalf of the applicant, for certification that this project will comply with applicable effluent limitations and water quality standards. The work shown on this application must also be certified as consistent with applicable provisions of the Coastal Zone Management Program (15 CFR 930). The District Engineer will not process this application to a conclusion until such certifications are received. This activity may also require evaluation for compliance with the S.C. Construction in Navigable Waters Permit Program. State review, permitting and certification is conducted by the S.C. Department of Health and Environmental Control. The applicant is hereby advised that supplemental information may be required by the State to facilitate the review. Persons wishing to comment or object to State certification or the navigable waters permit must submit all comments in writing to the S.C. Department of Health and Environmental Control at the above address within thirty (30) days of the date of this notice.

This notice initiates the Essential Fish Habitat (EFH) consultation requirements of the Magnuson-Stevens Fishery Conservation and Management Act. Implementation of the proposed project would impact 16.8 acres of estuarine substrates and emergent wetlands utilized by various life stages of species comprising the red drum, shrimp, and snapper-grouper management complexes. Our initial determination is that the proposed action would not have a substantial individual or cumulative adverse impact on EFH or fisheries managed by the South Atlantic Fishery Management Council and the National Marine Fisheries Service (NMFS). Our final determination relative to project impacts and the need for mitigation measures is subject to review by and coordination with the NMFS.

Pursuant to Section 7(c) of the Endangered Species Act of 1973 (as amended), the District Engineer has consulted the most recently available information and has determined that the project is not likely to adversely affect any Federally endangered, threatened, or proposed species or result in the destruction or adverse modification of designated or proposed critical habitat. This public notice serves as a request for written concurrence from the U.S. Fish and Wildlife Service and/or the National Marine Fisheries Service on this determination.

Pursuant to Section 106 of the National Historic Preservation Act (NHPA), this public notice also constitutes a request to Indian Tribes to notify the District Engineer of any historic properties of religious and cultural significance to them that may be affected by the proposed undertaking.

In accordance with the NHPA, the District Engineer has also consulted the latest published version of the National Register of Historic Places for the presence or absence of registered properties, or properties listed as being eligible for inclusion therein, and this worksite is not included as a registered property or property listed as being eligible for inclusion in the Register. To insure that other cultural resources that the District Engineer is not aware of are not overlooked, this public notice also serves as a request to the State Historic Preservation Office to provide any information it may have with regard to historic and cultural resources.

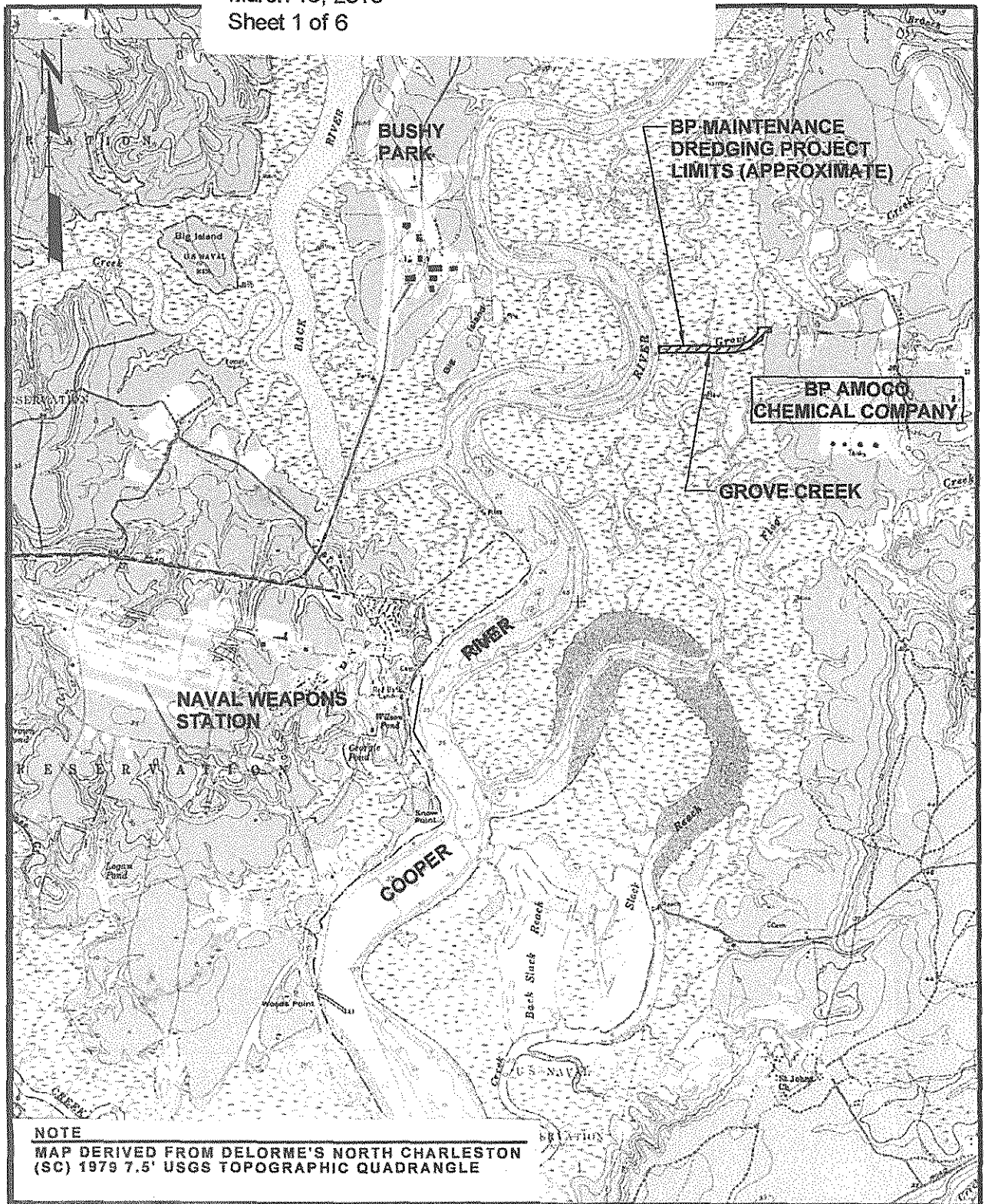
Any person may request, in writing, within the comment period specified in this notice, that a public hearing be held to consider this application. Requests for a public hearing shall state, with particularity, the reasons for holding a public hearing.

The decision whether to issue a permit will be based on an evaluation of the probable impact including cumulative impacts of the activity on the public interest and will include application of the guidelines promulgated by the Administrator, Environmental Protection Agency (EPA), under authority of Section 404(b) of the Clean Water Act and, as appropriate, the criteria established under authority of Section 102 of the Marine Protection, Research and Sanctuaries Act of 1972, as amended. That decision will reflect the national concern for both protection and utilization of important resources. The benefit which reasonably may be expected to accrue from the project must be balanced against its reasonably foreseeable detriments. All factors which may be relevant to the project will be considered including the cumulative effects thereof; among those are conservation, economics, aesthetics, general environmental concerns, wetlands, historic properties, fish and wildlife values, flood hazards, flood plain values, land use, navigation, shoreline erosion and accretion, recreation, water supply and conservation, water quality, energy needs, safety, food and fiber production and, in general, the needs and welfare of the people. A permit will be granted unless the District Engineer determines that it would be contrary to the public interest. In cases of conflicting property rights, the Corps of Engineers cannot undertake to adjudicate rival claims.

The Corps of Engineers is soliciting comments from the public; Federal, state, and local agencies and officials; Indian Tribes; and other interested parties in order to consider and evaluate the impacts of this activity. Any comments received will be considered by the Corps of Engineers to determine whether to issue, modify, condition or deny a permit for this project. To make this decision, comments are used to assess impacts on endangered species, historic properties, water quality, general environmental effects, and the other public interest factors listed above. Comments are used in the preparation of an Environmental Assessment and/or an Environmental Impact Statement pursuant to the National Environmental Policy Act. Comments are also used to determine the need for a public hearing and to determine the overall public interest of the activity.

If there are any questions concerning this public notice, please contact Robin Coller-Socha at 843-329-8044 or toll free at 1-866-329-8187.

BP Amoco Chemical Company - Grove Creek
Channel and Barge Slip Maintenance Dredging
SAC#2013-00138-2R
March 13, 2013
Sheet 1 of 6



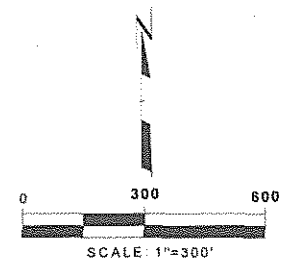
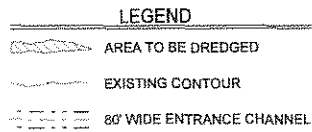
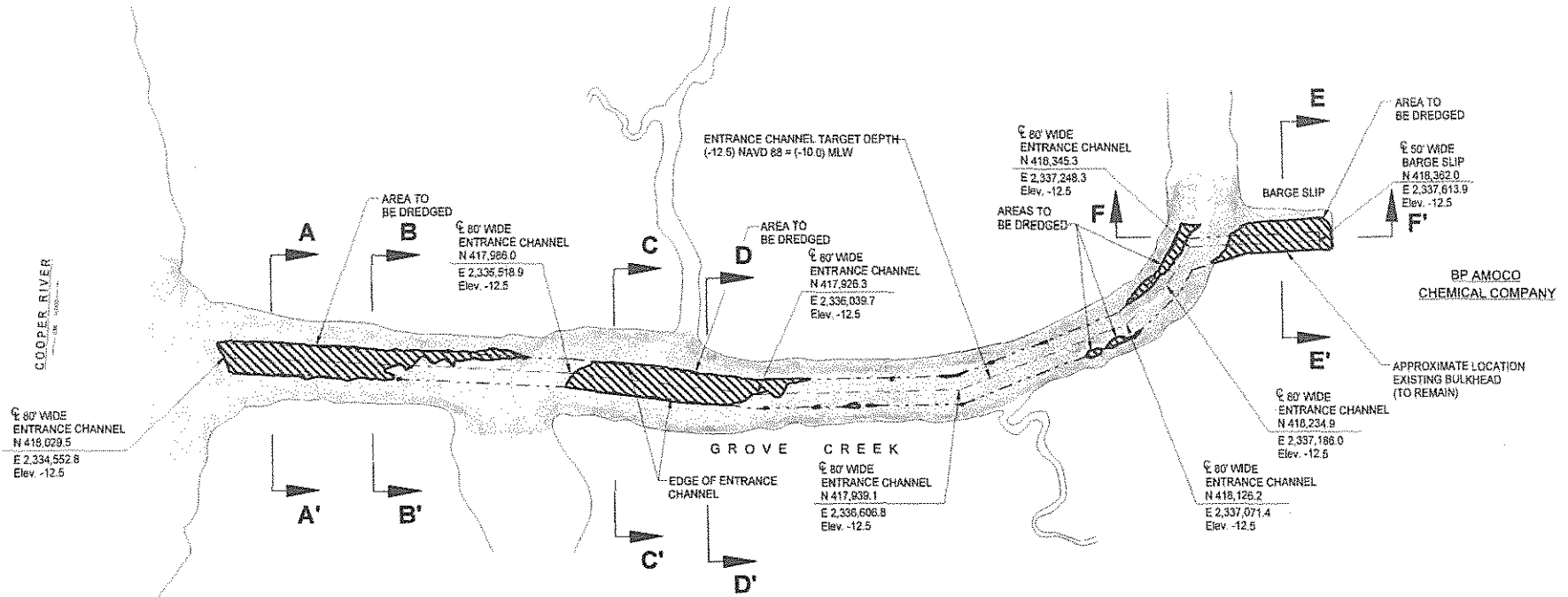
SITE LOCATION MAP

SCALE: 1"=4000' (APPROX.)

BP Amoco Chemical Company - Grove Creek
 Channel and Barge Slip Maintenance Dredging
 SAC#2013-00138-2R
 March 13, 2013
 Sheet 2 of 6

NOTES

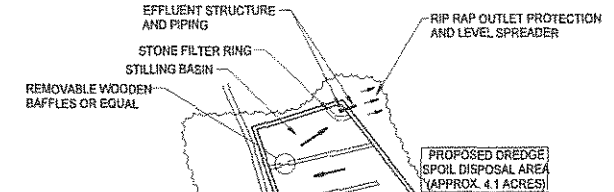
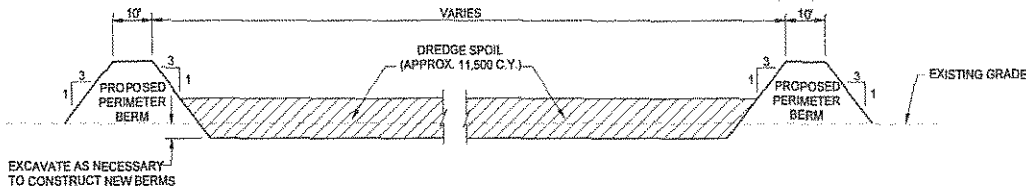
- COORDINATES ARE IN FEET AND ARE BASED ON THE SOUTH CAROLINA STATE PLANE COORDINATE SYSTEM (NAD 83 1986 ADJUSTMENT).
- THE HYDROGRAPHIC DATA IN GROVE CREEK AND THE BARGE SLIP AREA AS SHOWN ON THESE DRAWINGS ARE IN FEET AND ARE BASED ON NAVD 88 DATUM (2011 ADJUSTMENT) ELEV. D.G. IS EQUAL TO ELEV. (-2.48) MEAN LOW WATER (MLW). THIS DATA WAS PROVIDED BY CORNERSTONE SURVEYING AND ENGINEERING, 1240 BAGONS BRIDGE ROAD, SUMMERVILLE, SOUTH CAROLINA DATED SEPTEMBER 4, 2012. THESE AREAS ARE SUBJECT TO SILTING. THE ACTUAL DEPTH FOLLOWING THE DATE OF THE SURVEY MAY BE LESS.



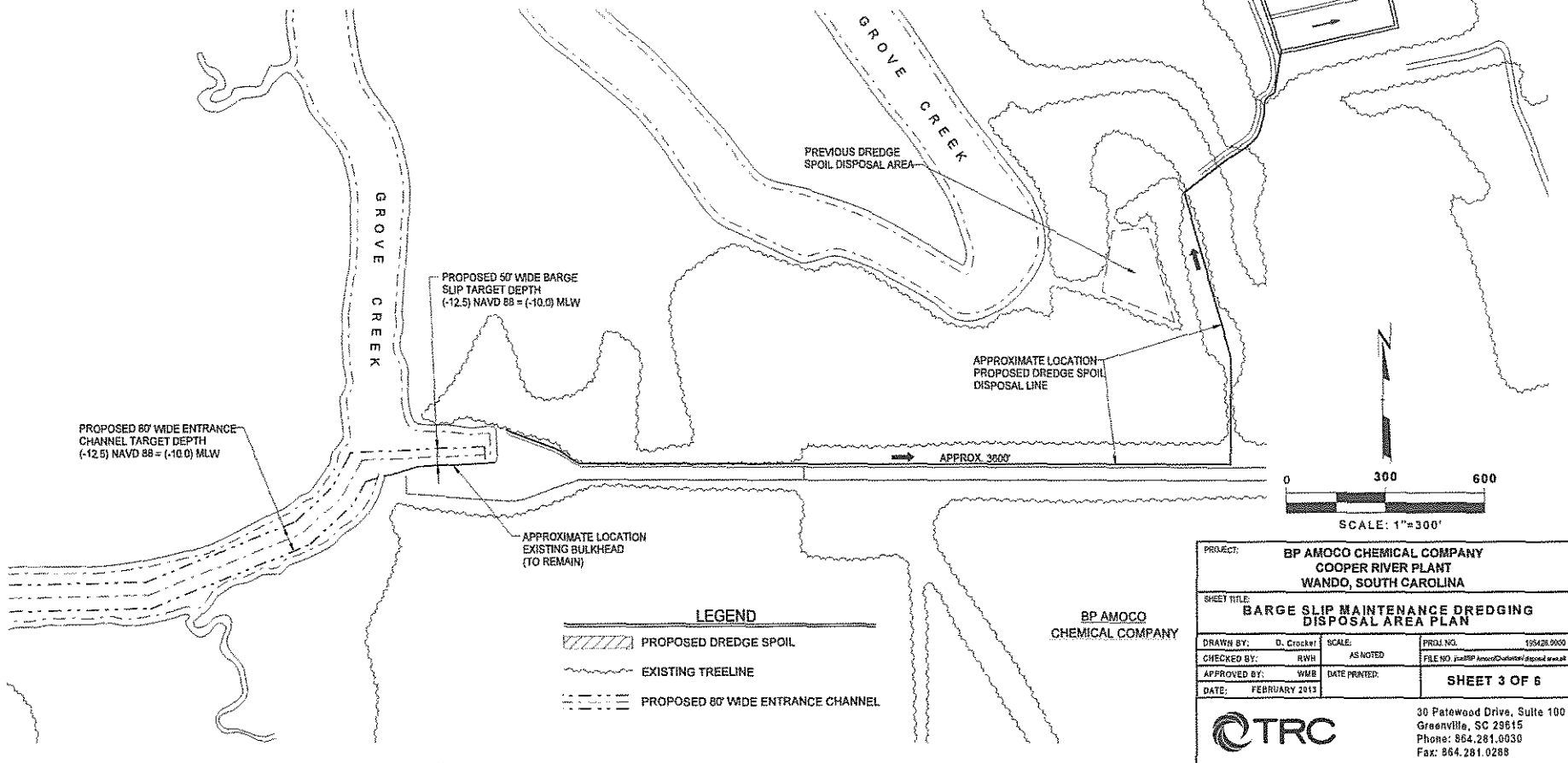
PROJECT: BP AMOCO CHEMICAL COMPANY COOPER RIVER PLANT WANDO, SOUTH CAROLINA			
SHEET TITLE: BARGE SLIP MAINTENANCE DREDGING DREDGING PLAN			
DRAWN BY: D. Crocker	SCALE: AS NOTED	PROJ. NO. 155428.0200	
CHECKED BY: RYH	DATE PRINTED:	FILE NO. 2013BP AmocoChemical.sheep.dwg	
APPROVED BY: WMS	DATE:	SHEET 2 OF 6	
DATE: FEBRUARY 2013			
		30 Patewood Drive, Suite 100 Greenville, SC 29615 Phone: 854.281.0030 Fax: 854.281.0288	

PLOT DATA
 Drawing Name: J:\CAD\2013\201302\TRC 11x17.dwg
 Operator Name: CROCKER, DAVID
 Drawing Plot Scale: 0.384653
 Div. Size: 0.05 Mb
 Plot Date: ---
 Plot Time: 4:47 PM
 Revised Note: ---
 Attached Images: ---
 Layout: ---

BP Amoco Chemical Company - Grove Creek
 Channel and Barge Slip Maintenance Dredging
 SAC#2013-00138-2R
 March 13, 2013
 Sheet 3 of 6



TYPICAL SECTION THRU PROPOSED DREDGE SPOIL DISPOSAL AREA



LEGEND

	PROPOSED DREDGE SPOIL
	EXISTING TREELINE
	PROPOSED 80' WIDE ENTRANCE CHANNEL

BP AMOCO
 CHEMICAL COMPANY

PROJECT: BP AMOCO CHEMICAL COMPANY COOPER RIVER PLANT WANDO, SOUTH CAROLINA			
SHEET TITLE: BARGE SLIP MAINTENANCE DREDGING DISPOSAL AREA PLAN			
DRAWN BY: D. Crockett	SCALE: AS NOTED	PROJ. NO.: 105428.0000	
CHECKED BY: RWB		FILE NO.: 105428.0000/0001.dwg	
APPROVED BY: WMB	DATE PRINTED:	SHEET 3 OF 6	
DATE: FEBRUARY 2013			

TRC

30 Patewood Drive, Suite 100
 Greenville, SC 29615
 Phone: 864.281.0030
 Fax: 864.281.0288

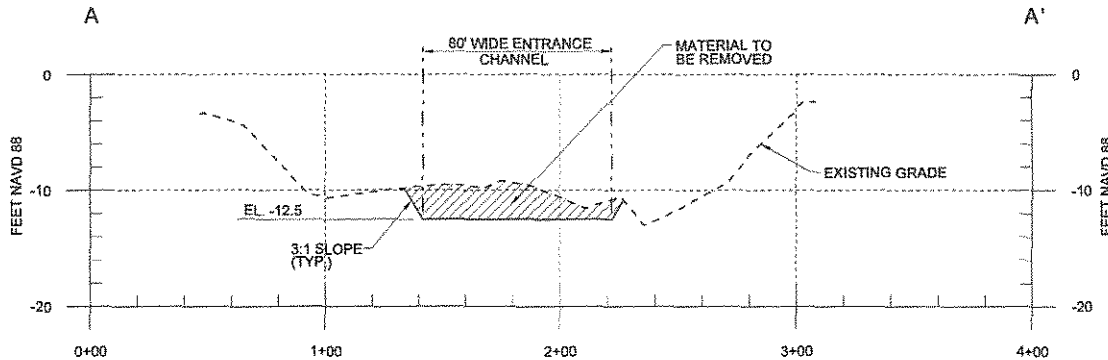
E:\02_01\A 105428.0000\TRC 11617.dwg
 Operator Name: CROCKETT, DAVID
 Drawing Plot Scale: 0.333333
 Date Plotted: 02/13/13 4:47 PM
 Model: Layout

BP Amoco Chemical Company - Grove Creek
Channel and Barge Slip Maintenance Dredging
SAC#2013-00138-2R

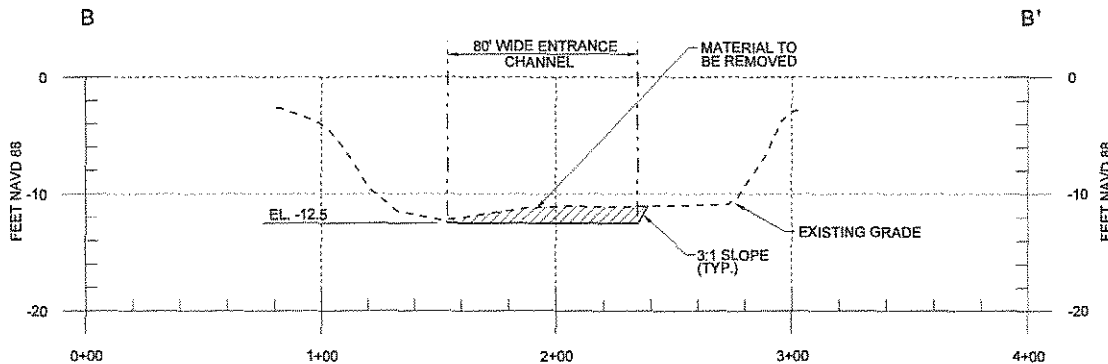
March 13, 2013
Sheet 4 of 6

NOTE

ENTRANCE CHANNEL TARGET DEPTH
(-12.5) NAVD 88 = (-10.0) MLW



SECTION A-A'
1"=10' (VERT.)
1"=50' (HORIZ.)



SECTION B-B'
1"=10' (VERT.)
1"=50' (HORIZ.)



SCALE: 1"= 10' (VERT.)



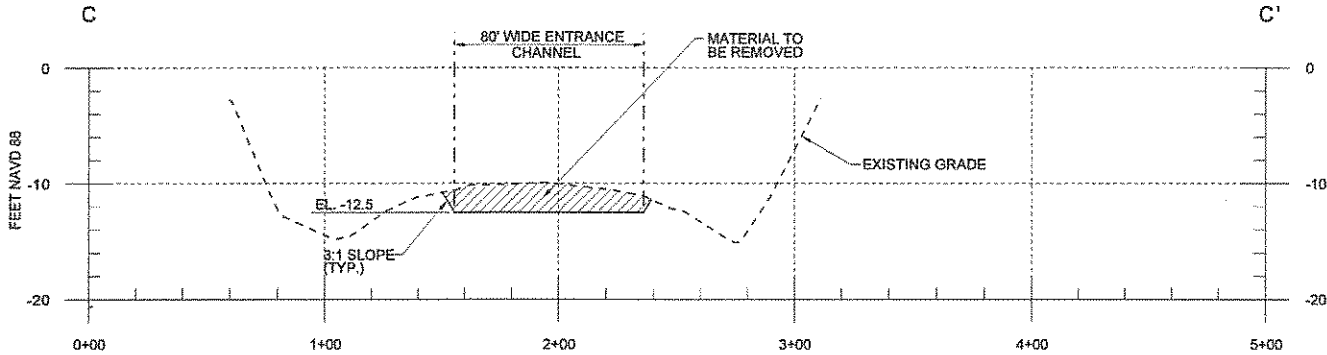
SCALE: 1"= 50' (HORIZ.)

Drawing Name: SAC#2013-00138-2R 1x17.dwg
 Drawing No: CROCKER.DWG
 Drawing Plot Scale: 0.38893
 Date Plotted: 0.05.13
 Plot Date: 4:47 PM
 Plot Time: 4:47 PM
 Checked by: [Signature]
 Checked by: [Signature]
 Layout: Model

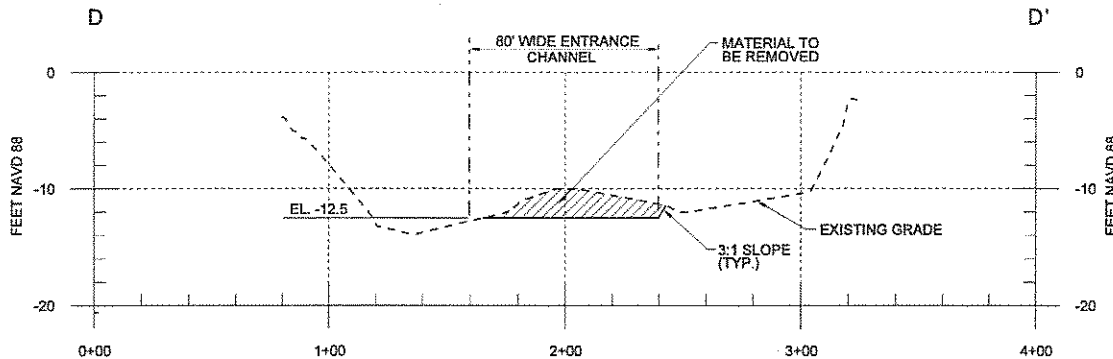
PROJECT: BP AMOCO CHEMICAL COMPANY COOPER RIVER PLANT WANDO, SOUTH CAROLINA		
SHEET TITLE: BARGE SLIP MAINTENANCE DREDGING DREDGING SECTIONS 1 OF 3		
DRAWN BY: D. Crocker	SCALE: AS NOTED	PROJ. NO. 152425.0000
CHECKED BY: RWH	FILE NO: SAC#2013-00138-2R 1x17.dwg	
APPROVED BY: RMD	DATE PRINTED:	SHEET 4 OF 6
DATE: FEBRUARY 2013		
		30 Patewood Drive, Suite 100 Greenville, SC 29615 Phone: 864.281.0030 Fax: 864.281.0288

BP Amoco Chemical Company - Grove Creek
 Channel and Barge Slip Maintenance Dredging
 SAC#2013-00138-2R
 March 13, 2013
 Sheet 5 of 6

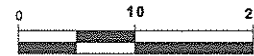
NOTE
 ENTRANCE CHANNEL TARGET DEPTH
 (-12.5) NAVD 88 = (-10.0) MLW



SECTION C-C'
 1"=10' (VERT.)
 1"=50' (HORIZ.)



SECTION D-D'
 1"=10' (VERT.)
 1"=50' (HORIZ.)

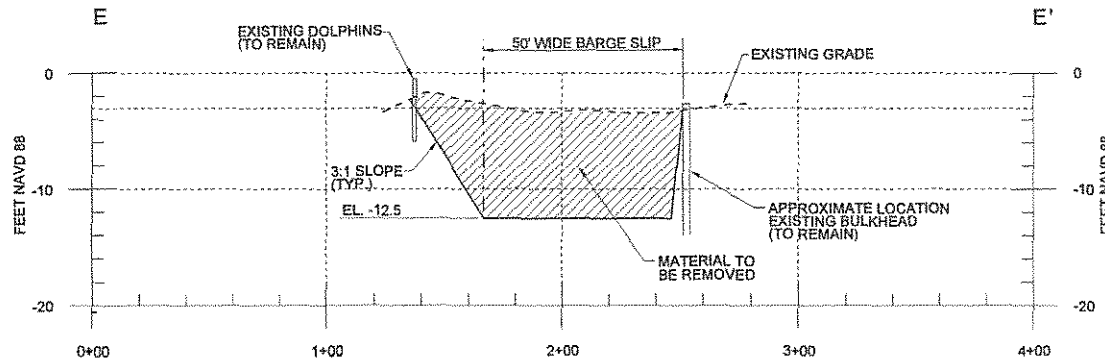


Attached Xrefs:
 Absolute Imagery:
 Layout
 Rcsd
 Drawing Scale: 0.08 Mbs
 Plot Date: ---
 Plot Time: 4:47 PM
 J:\CAD\03-CORV\TRC 11x17.dwg
 Operator Name: CROCKER, DAVID
 Drawing Plot Scale: 0.383853
 ELIZ GALEA
 Director Name:
 Operator Name:
 Drawing Plot Scale:

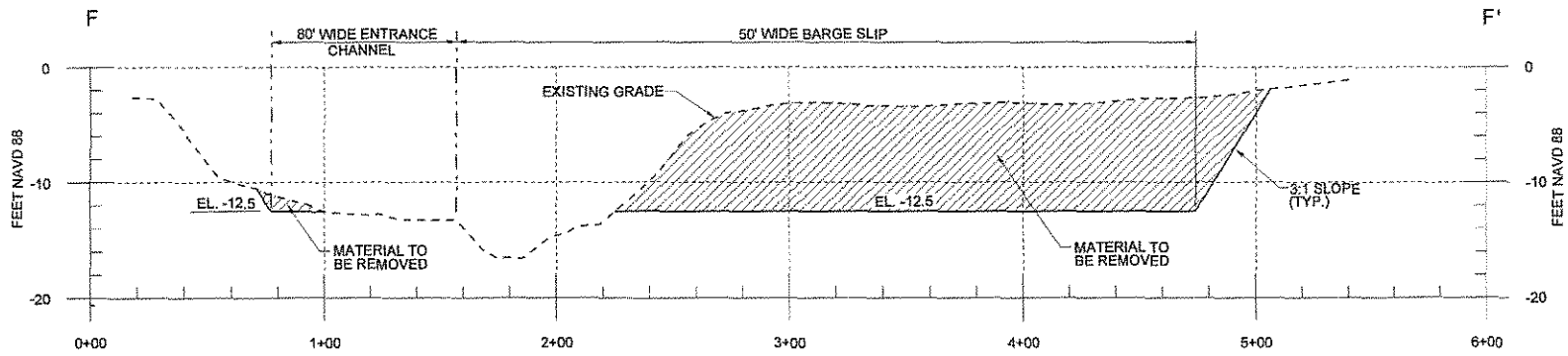
PROJECT: BP AMOCO CHEMICAL COMPANY COOPER RIVER PLANT WANDO, SOUTH CAROLINA		
SHEET TITLE: BARGE SLIP MAINTENANCE DREDGING DREDGING SECTIONS 2 OF 3		
DRAWN BY: D. Crocker	SCALE: AS NOTED	PROJ. NO. 195425.0000
CHECKED BY: RWH	FILE N:\CAD\03-CORV\Amoco\Charles\Barge 2.plt	
APPROVED BY: RMB	DATE PRINTED:	SHEET 5 OF 6
DATE: FEBRUARY 2015		
		30 Patwood Drive, Suite 100 Greenville, SC 29615 Phone: 864.261.0030 Fax: 864.261.0288

BP Amoco Chemical Company - Grove Creek
 Channel and Barge Slip Maintenance Dredging
 SAC#2013-00138-2R
 March 13, 2013
 Sheet 6 of 6

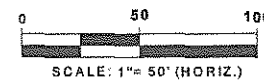
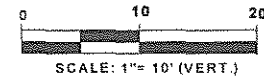
NOTE
 ENTRANCE CHANNEL TARGET DEPTH
 (-12.5) NAVD 88 = (-10.0) MLW




SECTION E-E'
 1"=10' (VERT.)
 1"=50' (HORIZ.)



SECTION F-F'
 1"=10' (VERT.)
 1"=50' (HORIZ.)



PROJECT: BP AMOCO CHEMICAL COMPANY COOPER RIVER PLANT WANDO, SOUTH CAROLINA		
SHEET TITLE: BARGE SLIP MAINTENANCE DREDGING DREDGING SECTIONS 3 OF 3		
DRAWN BY: D. Crockett	SCALE: AS NOTED	PROJ. NO. 155428.0200
CHECKED BY: RWN	DATE PRINTED:	FILE N:\Grid\SP Amoco\Chof\mshd\3.rvt
APPROVED BY: WMB	DATE: FEBRUARY 2013	SHEET 6 OF 6
 30 Patewood Drive, Suite 100 Greenville, SC 29615 Phone: 864.281.0930 Fax: 864.281.0288		

Date Plotted: 0:58 AM
 Plot Date: 4:47 PM
 Plot Time: 4:47 PM
 Model
 Attached Images
 Layout
 J:\CAD\2013\20130313\1147.dwg
 Operator Name: CROCKETT, DAVID
 Drawing File Name: 031313.dwg